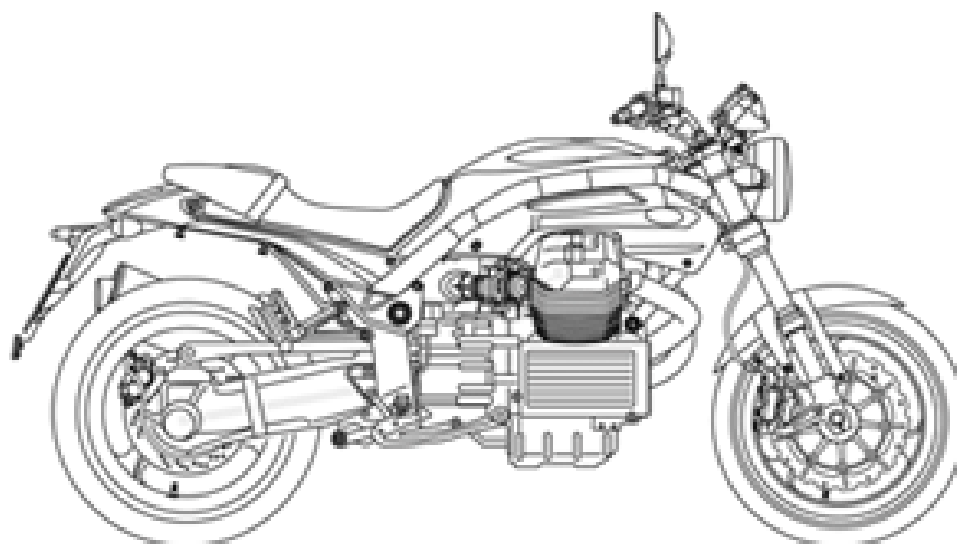




PIAGGIO & C.s.p.a.



CATALOGUS RESERVEONDERDELEN



Griso V 8V 1200 2007-2013

Voorvoegsel frame: ZGULSE, ZGULSJ, ZGULSU, ZGULSG

Voorvoegsel motor:

GRISO

GU088



Inhoudsopgave

Afgewerkte producten.....	4
Alfanumerieke inhoudsopgave.....	5
FRAME.....	12
Tafel 33.01 - Frame.....	12
Tafel 33.02 - Lateral stand.....	13
Tafel 33.03 - Foot rests I.....	14
Tafel 33.04 - Foot rests II.....	15
Tafel 33.05 - Gear lever.....	16
Tafel 33.06 - Steering.....	17
Tafel 33.07 - Front fork.....	18
Tafel 33.08 - Swing arm.....	20
Tafel 33.09 - Transmission complete.....	21
Tafel 33.10 - Trans.cpl.-Cage.....	22
Tafel 33.11 - Trans.cpl.-Bevel gear.....	23
Tafel 33.12 - Connecting rod - rear shock abs.....	24
Tafel 33.13 - Fuel tank.....	25
Tafel 33.14 - Front body - Duct.....	26
Tafel 33.15 - Front mudguard.....	27
Tafel 33.16 - Saddle.....	28
Tafel 33.17 - Rear body - Mudguard.....	29
Tafel 33.18 - Rear body - Rear fairing.....	31
Tafel 33.19 - Dashboard.....	32
Tafel 33.20 - Handlebar - Controls.....	33
Tafel 33.21 - Front master cilinder.....	35
Tafel 33.22 - Clutch control complete.....	36
Tafel 33.23 - Oil cooler.....	37
Tafel 33.24 - Blow-by system.....	38
Tafel 33.25 - Fuel supply.....	39
Tafel 33.26 - Air box.....	40
Tafel 33.27 - Exhaust unit.....	41
Tafel 33.28 - Internal fuel pump.....	43
Tafel 33.29 - SE Front wheel.....	44
Tafel 33.30 - Front brake caliper.....	45
Tafel 33.31 - Std Rear wheel.....	46
Tafel 33.32 - Rear master cylinder.....	47
Tafel 33.33 - Rear brake caliper.....	49
Tafel 33.34 - Headlight/Horn.....	50
Tafel 33.35 - Taillight.....	52
Tafel 33.36 - Electrical system I.....	53
Tafel 33.37 - Electrical system II.....	55
Tafel 33.38 - Lock hardware kit.....	56
Tafel 33.39 - Plate set-decal-op.handbooks.....	57
Tafel 33.63 - Fuel vapour recover system.....	61



Tafel 33.64 - SE Front wheel.....	62
Tafel 33.65 - SE Rear wheel.....	63
ENGINE.....	64
Tafel 34.40 - Crank-case I.....	64
Tafel 34.41 - Crank-case II.....	66
Tafel 34.42 - Cylinder head - valves.....	67
Tafel 34.43 - Head cover.....	68
Tafel 34.44 - RH cylinder timing system I.....	69
Tafel 34.45 - LH cylinder timing system I.....	71
Tafel 34.46 - Drive shaft - Cylinder.....	73
Tafel 34.47 - Timing system.....	75
Tafel 34.48 - Lubrication.....	76
Tafel 34.49 - Oil pump.....	77
Tafel 34.50 - Oil filters.....	78
Tafel 34.51 - Clutch.....	79
Tafel 34.52 - Transmission cage.....	80
Tafel 34.53 - Gear box selector.....	81
Tafel 34.54 - Primary gear shaft.....	82
Tafel 34.55 - Driven shaft.....	83
Tafel 34.56 - Clutch shaft.....	84
Tafel 34.57 - Current generator.....	85
Tafel 34.58 - Starter motor.....	86
Tafel 34.59 - Throttle body.....	87
Tafel 34.60 - RH cylinder timing system II.....	88
Tafel 34.61 - LH cylinder timing system II.....	90
SPECIAL TOOLS.....	92
Tafel 36.60 - Specific tools I.....	92
Tafel 36.61 - Specific tools II.....	93
Tafel 36.62 - Specific tools III.....	94



Afgewerkte producten

Code	Geldigheid
GU9032437AU800	
GU9032437AU801	
GU9032437AU802	
GU9032437EU700	
GU9032437EU701	
GU9032437EU702	
GU9032437EU703	
GU9032437FR700	
GU9032437FR702	
GU9032437GB700	
GU9032437GB701	
GU9032437GB702	
GU9032437GB703	
GU9032437JP700	
GU9032437JP701	
GU9032437JP702	
GU9032437JP703	
GU9032440CAC00	
GU9032440CAC01	
GU9032440CAD00	
GU9032440CAD02	
GU9032440USC00	
GU9032440USC01	
GU9032440USD00	
GU9032440USD02	



Code	N.Tafel	Pos.	Code	N.Tafel	Pos.	Code	N.Tafel	Pos.
0000000	33.29	14	856062	33.63	8	874601	34.45	19
013763	34.48	8	856063	33.63	6	874601	34.60	26
015792	34.44	5	856774	33.29	6	874601	34.61	26
015792	34.45	5	860138	33.63	7	874616	34.49	11
015792	34.60	5	872606	34.43	10	874621	34.44	3
015792	34.61	5	872607	34.43	1	874621	34.45	3
015935	34.40	35	872695	34.42	3	874621	34.46	12
020470Y	36.60	5	872696	34.42	4	874622	34.44	3
020672Y	36.60	12	872726	34.43	4	874622	34.45	3
020673Y	36.60	16	872740	34.43	14	874622	34.46	12
020674Y	36.60	19	872741	34.43	11	874645	34.48	9
020675Y	36.60	20	872742	34.43	7	874646	34.48	7
020676Y	36.60	21	872755	34.42	2	874650	34.49	1
020677Y	36.60	1	872755	34.45	1	874655	34.48	11
020678Y	36.60	22	872756	34.42	1	874669	34.48	4
020689Y	36.60	23	872756	34.44	1	874680	34.48	1
020716Y	36.60	4	872759	34.44	6	874716	34.48	14
118737	34.48	5	872759	34.45	6	874799	34.47	15
237553	34.49	7	872759	34.60	4	874801	34.49	10
244585	34.45	29	872759	34.61	4	874805	34.44	29
244585	34.61	33	872814	34.44	21	874805	34.45	30
285846	34.42	8	872814	34.45	21	874980	34.40	26
292022	33.34	5	873425	34.45	4	875243	34.46	19
292022	33.35	9	873426	34.44	4	875244	34.46	19
292723	33.34	4	873490	34.59	3	8776384	34.44	16
411209	34.40	2	873491	34.59	8	8776384	34.45	16
414835	34.49	9	873626	34.43	9	877820	34.50	6
414837	34.60	17	873631	34.44	12	8783390001	34.46	17
414837	34.61	17	873631	34.45	12	8783390002	34.46	17
434947	34.48	6	873654	34.43	13	8783390003	34.46	17
436438	34.42	6	873667	34.46	2	878553	34.42	2
484819	34.44	11	873668	34.43	8	878553	34.45	1
484819	34.45	11	873689	34.44	28	878556	34.42	1
487444	34.44	14	873689	34.46	20	878556	34.44	1
487444	34.45	14	873690	34.45	28	878574	34.60	1
487444	34.60	23	873690	34.46	21	878574	34.61	1
487444	34.61	23	873850	34.44	10	878868	34.60	32
560110	34.40	10	873850	34.45	10	878868	34.61	32
581957	34.48	12	873861	34.59	14	879707	34.44	10
584509	33.36	18	873873	34.44	16	879707	34.60	11
639542	33.02	15	873873	34.45	16	879707	34.61	11
640598	33.34	3	873879	34.59	7	879916	34.44	11
640912	33.36	13	873904	34.59	1	879916	34.60	10
672381	33.39	28	873906	34.49	14	879916	34.61	10
825597	34.41	4	873928	34.47	8	879936	34.60	19
825597	34.42	11	874126	34.42	9	879936	34.61	19
825597	34.46	11	874127	34.42	5	879937	34.60	20
827018	34.42	10	874134	34.40	34	879937	34.61	20
827018	34.44	2	874213	34.40	19	879938	34.60	18
827018	34.45	2	874223	34.48	3	879938	34.61	18
829122	34.50	2	874238	34.48	18	879975	34.43	3
829486	34.49	5	874239	34.48	17	879987	34.43	15
829661	34.49	6	874240	34.48	15	880123	34.43	10
830249	34.43	3	874257	34.40	27	880124	34.43	1
833520	34.44	7	874280	34.47	18	880127	34.43	16
833520	34.45	7	874281	34.47	11	880879	34.44	4
833520	34.60	22	874286	34.46	7	880881	34.45	4
833520	34.61	22	874287	34.46	4	880965	34.60	28
842360	34.60	6	874288	34.46	5	880965	34.61	28
842360	34.61	6	874289	34.46	6	883045	33.09	7
843060	34.44	20	874293	34.46	15	883046	33.09	2
843060	34.45	20	874335	34.42	7	883067	33.39	27
843060	34.60	27	874482	34.49	8	883092	33.25	6
843060	34.61	27	874521	34.44	22	883093	33.25	7
849131	34.46	18	874521	34.45	22	883277	33.39	7
849866	34.46	23	874567	34.46	8	883279	33.39	20
854603	33.21	2	874601	34.44	19	883280	33.39	21



Code	N.Tafel	Pos.	Code	N.Tafel	Pos.	Code	N.Tafel	Pos.
883281	33.39	19	887971	33.39	36	976559	34.43	12
883340	33.19	1	88797200YE3	33.13	1	976560	34.43	6
883417	33.34	27	88797300YN1	33.14	1	976563	34.51	9
883462	33.34	23	88797400YN1	33.14	10	976564	34.51	10
883463	33.34	22	88797500YN1	33.18	1	976570	33.09	1
883606	33.16	1	887976	33.16	1	976581	33.11	1
883611	33.39	15	890646	33.64	2	976584	34.44	21
883612	33.39	16	890647	33.65	2	976584	34.45	21
883613	33.39	1	969323	34.48	10	976589	34.44	17
883614	33.39	17	974228	34.44	27	976589	34.45	17
883615	33.39	18	974228	34.45	27	976589	34.60	8
883619	33.39	7	976023	34.51	1	976589	34.61	8
883627	33.19	10	976053	34.51	2	976591	34.43	2
883688	33.64	8	976304	34.46	10	976593	34.51	12
883730	33.39	19	976311	34.44	3	976594	34.51	12
883731	33.39	20	976311	34.45	3	976595	34.51	12
883732	33.39	21	976311	34.46	12	976596	34.51	12
883802	33.20	18	976312	34.46	9	976665	34.47	16
883802	33.20	20	976330	34.47	1	976674	34.44	15
883851	33.28	5	976331	34.47	4	976674	34.45	15
883874	33.27	1	976334	34.47	9	976674	34.60	24
883875	33.27	2	976337	34.44	26	976674	34.61	24
883883	33.29	1	976337	34.45	26	976690	34.44	22
883886	33.31	1	976337	34.60	31	976690	34.45	22
883900	33.36	2	976337	34.61	31	976696	34.51	14
883905	33.36	2	976338	34.44	25	976929	34.40	30
883909	33.27	16	976338	34.45	25	976934	34.52	17
883917	33.39	19	976338	34.60	30	9769945	34.40	30
883918	33.39	20	976338	34.61	30	977041	33.32	14
883919	33.39	21	976341	34.44	24	977050	33.01	16
883932	33.39	11	976341	34.45	24	977052	33.04	1
884033	33.32	24	976341	34.60	29	977053	33.04	6
884077	33.64	1	976341	34.61	29	977056	33.31	9
884078	33.65	1	976342	34.46	22	977056	33.65	5
884095	33.03	3	976350	34.44	18	977062	33.13	17
884096	33.03	5	976350	34.45	18	977065	33.02	6
884097	33.03	8	976350	34.60	25	977067	33.02	1
884098	33.03	11	976350	34.61	25	977350	33.01	1
884163	33.64	1	976351	34.56	1	977418	33.63	2
884164	33.65	1	976355	34.47	6	977421	33.17	20
884192	33.39	19	976359	34.44	8	977500	33.39	11
884193	33.39	20	976359	34.45	8	977769	33.37	11
884194	33.39	21	976360	34.44	9	977772	33.37	11
884321	33.39	19	976360	34.45	9	977773	33.37	11
884322	33.39	20	976376	33.27	3	977795	33.35	10
884323	33.39	21	976381	34.47	2	977822	33.03	3
886141	33.39	40	976452	34.52	5	977823	33.03	5
886944	33.39	29	976453	34.52	1	977824	33.03	8
887082	33.65	8	976478	34.41	9	977825	33.03	11
887083	33.65	9	976480	34.41	1	977918	33.38	5
887084	33.64	6	976481	34.51	7	978159	33.07	2
887423	33.25	1	976484	34.51	8	978160	33.07	1
887423	33.28	1	976486	34.40	18	978204	33.20	1
887771	33.25	1	976488	34.47	3	978239	33.16	1
887771	33.28	1	976494	34.59	16	978242	33.27	16
887959	33.39	30	976495	34.59	17	978301	33.65	15
887960	33.39	31	976498	34.59	5	978311	33.34	1
887961	33.39	15	976502	34.40	16	978350	33.08	1
887962	33.39	16	976532	34.56	4	978364	33.33	10
887963	33.39	1	976533	34.56	3	978392	33.10	17
887964	33.39	32	976534	34.59	6	978396	33.27	1
887965	33.39	33	976535	34.51	5	978397	33.27	2
887966	33.39	34	976538	34.47	10	978400	33.21	6
887967	33.39	35	976539	34.40	1	978403	33.39	1
887968	33.39	37	976554	34.41	5	97840400BM	33.14	1
887969	33.39	38	976555	34.59	4	97840400Y01	33.14	1
887970	33.39	39	976556	33.36	26	97840400Y02	33.14	1



Code	N.Tafel	Pos.	Code	N.Tafel	Pos.	Code	N.Tafel	Pos.
97840400YV2	33.14	1	AP8101861	33.03	10	AP8121075	33.13	9
97840500BM	33.14	10	AP8101890	33.32	28	AP8121098	33.11	6
97840500Y01	33.14	10	AP8102375	33.01	13	AP8121133	33.03	9
97840500Y02	33.14	10	AP8102375	33.14	9	AP8121155	33.12	10
97840500YV2	33.14	10	AP8102375	33.17	2	AP8121207	33.06	4
978406	33.36	2	AP8102375	33.18	3	AP8121218	33.09	4
978407	33.36	1	AP8102375	33.37	14	AP8121221	33.05	2
978407	33.37	1	AP8102377	33.63	5	AP8121221	33.32	19
978409	33.39	7	AP8102502	33.16	10	AP8121223	33.05	6
978414	33.33	1	AP8102520	33.24	14	AP8121267	33.63	17
978434	33.32	1	AP8102523	33.16	9	AP8121346	33.06	9
978455	33.07	19	AP8102524	33.02	9	AP8121475	33.36	29
978456	33.07	18	AP8102678	33.63	1	AP8121513	33.27	26
978464	33.30	1	AP8102764	33.24	15	AP8121520	33.20	10
978465	33.30	2	AP8102765	33.24	11	AP8121567	33.03	1
978466	33.30	4	AP8102913	33.16	3	AP8121607	33.02	12
978487	33.07	3	AP8104329	33.26	2	AP8121773	33.27	20
978497	33.64	10	AP8104614	33.63	7	AP8121795	33.02	4
978498	33.64	13	AP8104666	33.13	16	AP8121795	33.19	6
978516	33.64	5	AP8104666	33.63	9	AP8121805	33.04	3
978528	33.64	1	AP8104921	33.20	20	AP8121811	33.23	16
978530	33.64	6	AP8104921	33.20	20	AP8121882	33.02	20
978570	33.20	18	AP8104922	33.20	18	AP8121882	33.19	18
978570	33.20	20	AP8104922	33.20	18	AP8121927	33.32	23
978606	33.21	1	AP8106713	33.22	1	AP8121929	33.17	12
978607	33.22	1	AP8110066	33.12	5	AP8121929	33.18	5
978662	33.34	1	AP8110068	33.12	6	AP8123641	33.06	7
978739	33.22	10	AP8110077	33.06	8	AP8123642	33.06	5
978739	34.51	3	AP8112811	33.37	4	AP8123643	33.06	3
978743	33.20	16	AP8112996	33.32	27	AP8123644	33.06	6
978744	33.20	17	AP8113004	33.22	9	AP8123810	33.07	4
978745	33.25	3	AP8113004	33.33	6	AP8123811	33.07	26
978764	33.64	8	AP8113070	33.30	5	AP8123812	33.07	27
978765	33.24	16	AP8113070	33.33	9	AP8123815	33.07	11
978767	33.24	1	AP8113081	33.32	16	AP8123816	33.07	10
978781	33.24	17	AP8113082	33.32	17	AP8123817	33.07	12
978810	33.64	7	AP8113288	33.32	3	AP8123819	33.07	14
978810	33.65	10	AP8113993	33.21	5	AP8123820	33.07	15
978811	33.64	15	AP8113993	33.22	4	AP8123821	33.07	16
978811	33.65	11	AP8113995	33.21	3	AP8123824	33.07	20
978815	33.65	8	AP8113997	33.22	5	AP8123825	33.07	22
978816	33.65	9	AP8113998	33.22	6	AP8123827	33.07	24
978849	33.65	1	AP8117200	34.58	5	AP8123828	33.07	25
978854	34.48	16	AP8118492	33.20	14	AP8123832	33.07	6
978882	33.39	6	AP8118502	33.20	13	AP8123834	33.07	13
978885	33.27	11	AP8118503	33.20	15	AP8123835	33.07	7
981007	34.46	13	AP8118579	33.20	7	AP8123836	33.07	8
981008	34.46	1	AP8118659	33.22	2	AP8124869	33.37	9
981009	34.46	3	AP8120030	33.23	7	AP8124936	33.19	11
981010	34.59	2	AP8120030	33.24	3	AP8125773	33.29	4
981011	34.59	20	AP8120030	33.26	21	AP8125773	33.64	4
981012	33.07	23	AP8120030	33.36	5	AP8125777	33.29	3
981013	33.07	21	AP8120178	33.32	13	AP8125777	33.64	3
981046	33.22	2	AP8120428	33.04	18	AP8125779	33.29	5
981050	33.21	2	AP8120485	33.11	7	AP8127098	33.35	3
981115	34.50	15	AP8120593	33.26	4	AP8127703	33.20	6
981142	33.27	29	AP8120594	33.22	13	AP8133594	33.22	8
981143	33.27	28	AP8120675	33.34	13	AP8133595	33.33	8
981149	33.34	2	AP8120876	33.26	20	AP8133597	33.33	7
981160	33.19	19	AP8120912	33.05	3	AP8133962	33.21	7
AP4ADN000007	34.40	20	AP8120912	33.32	20	AP8133962	33.33	11
AP8101586	33.24	19	AP8120952	34.52	16	AP8134378	33.27	21
AP8101595	33.26	19	AP8120965	33.13	14	AP8134448	33.17	13
AP8101595	33.32	5	AP8120965	33.63	13	AP8134451	33.03	7
AP8101595	34.52	15	AP8121014	33.02	7	AP8134948	33.16	8
AP8101744	33.64	14	AP8121032	33.23	5	AP8135608	33.12	8
AP8101744	33.65	14	AP8121032	34.58	7	AP8135924	33.12	4



Code	N.Tafel	Pos.	Code	N.Tafel	Pos.	Code	N.Tafel	Pos.
AP8140145	36.62	1	AP8152306	33.02	17	B0136054	34.61	12
AP8140146	36.62	2	AP8152306	33.17	19	B013661	34.60	16
AP8140147	36.62	3	AP8152306	33.17	26	B013661	34.61	16
AP8140148	36.62	4	AP8152306	33.35	8	B014576	34.60	7
AP8140149	36.62	5	AP8152318	33.08	2	B014576	34.61	7
AP8140150	36.62	6	AP8152320	33.33	2	B014603	34.44	13
AP8140151	36.62	7	AP8152325	33.20	5	B014603	34.45	13
AP8140179	36.60	11	AP8152329	33.26	5	B015681	34.44	12
AP8140190	36.61	1	AP8152329	33.32	10	B016785	34.60	2
AP8144007	33.05	7	AP8152339	33.15	2	B016785	34.61	2
AP8144007	33.32	25	AP8152339	33.37	13	B017026	34.61	3
AP8144038	33.26	18	AP8152384	33.06	10	B017029	34.60	3
AP8144046	33.36	19	AP8152396	33.12	16	B043864	33.13	5
AP8144071	33.27	19	AP8152397	33.12	9	B045021	33.20	21
AP8144164	33.26	8	AP8152398	33.12	2	B063011	34.51	12
AP8144328	33.13	8	AP8152409	33.03	2	B063012	34.51	12
AP8149034	33.17	21	AP8152410	33.09	3	B063025	34.52	11
AP8150046	34.41	10	AP8152410	33.27	24	CM074706	34.59	4
AP8150292	33.02	13	AP8152414	33.30	9	CM162701	34.44	30
AP8150292	33.12	13	AP8152473	33.02	10	CM162701	34.45	31
AP8150377	33.17	7	AP8152482	33.12	15	CM162702	34.44	30
AP8150413	33.14	6	AP8157100	33.39	22	CM162702	34.45	31
AP8150413	33.17	17	AP8163495	33.07	5	CM162703	34.44	30
AP8150413	33.63	3	AP8163496	33.07	9	CM162703	34.45	31
AP8150420	33.17	18	AP8201358	33.63	4	CM162704	34.44	30
AP8150421	33.26	9	AP8201808	33.33	13	CM162704	34.45	31
AP8150432	33.01	8	AP8202238	33.33	12	CM162705	34.44	30
AP8150450	33.18	10	AP8220162	33.01	11	CM162705	34.45	31
AP8150462	33.05	5	AP8220162	33.14	4	GU00823923140	33.02	18
AP8150462	33.32	22	AP8220228	33.19	8	GU00823950050	33.32	6
AP8150509	33.19	9	AP8220238	33.01	10	GU00823955080	33.24	12
AP8150509	33.35	2	AP8220263	33.13	15	GU01003651	34.40	15
AP8152001	33.02	14	AP8220263	33.17	9	GU01106090	33.28	4
AP8152043	33.19	16	AP8220283	33.37	8	GU01108490	33.28	3
AP8152147	33.12	12	AP8220346	33.27	23	GU01154230	33.24	10
AP8152166	34.47	7	AP8220526	33.26	13	GU01154230	34.40	11
AP8152242	33.09	5	AP8220546	33.37	10	GU01154230	34.48	2
AP8152268	33.17	14	AP8221023	33.26	17	GU01161331	33.24	9
AP8152270	33.17	24	AP8221023	33.34	12	GU01161331	34.48	13
AP8152273	33.25	2	AP8221023	33.36	6	GU01163600	34.50	8
AP8152277	33.24	5	AP8221036	33.06	12	GU01163700	34.50	7
AP8152278	33.22	11	AP8221145	33.32	11	GU01528930	33.10	13
AP8152278	33.24	4	AP8221160	33.01	6	GU01528930	33.10	8
AP8152278	33.32	12	AP8221197	33.02	8	GU01528930	34.40	23
AP8152278	34.51	4	AP8221242	33.19	3	GU01528930	34.52	9
AP8152279	33.26	16	AP8221270	33.26	12	GU01603480	33.20	12
AP8152279	33.32	4	AP8221277	33.03	6	GU01609630	33.20	19
AP8152279	33.36	4	AP8221307	33.01	9	GU01612190	33.29	11
AP8152280	33.13	10	AP8224164	33.17	15	GU01612190	33.64	11
AP8152281	33.23	3	AP8224164	33.17	25	GU01654630	33.30	3
AP8152282	33.36	7	AP8224462	33.37	7	GU01659130	33.30	6
AP8152285	33.36	30	AP8257609	33.39	23	GU01659131	33.30	7
AP8152286	33.29	7	AP8257742	33.39	25	GU01721600	33.36	20
AP8152287	33.02	11	AP8257794	33.39	24	GU01722700	33.36	22
AP8152287	33.34	15	AP9100838	36.60	3	GU01722701	33.36	22
AP8152288	33.01	5	B0133785001	34.46	14	GU01722702	33.36	22
AP8152290	33.07	17	B0133785002	34.46	14	GU01722703	33.36	22
AP8152291	34.40	29	B0133785003	34.46	14	GU01722704	33.36	22
AP8152298	33.06	14	B013479	34.60	14	GU01722705	33.36	22
AP8152299	33.16	5	B013479	34.61	14	GU01743790	33.34	23
AP8152299	33.35	15	B013552	34.60	21	GU01743791	33.34	22
AP8152299	33.36	17	B013552	34.61	21	GU01753440	33.34	26
AP8152300	33.04	4	B013603	34.44	8	GU01929100	36.60	7
AP8152301	33.12	11	B0136034	34.60	9	GU03013800	33.26	14
AP8152301	33.27	22	B0136034	34.61	9	GU03013800	33.27	7
AP8152302	33.14	2	B013605	34.44	9	GU03013800	34.49	12
AP8152302	33.18	2	B0136054	34.60	12	GU03013800	34.58	9



Code	N.Tafel	Pos.	Code	N.Tafel	Pos.	Code	N.Tafel	Pos.
GU03270300	34.58	3	GU05547930	33.08	8	GU06126900	33.27	14
GU03469201	34.58	8	GU05548030	33.08	3	GU06159300	33.24	8
GU03604845	33.22	3	GU05560330	33.12	3	GU06162000	33.23	1
GU03609600	33.20	19	GU05562030	33.12	7	GU06164630	33.24	6
GU03617710	33.29	12	GU05562430	33.12	14	GU06250900	33.05	1
GU03617710	33.31	2	GU05603331	33.20	11	GU06257800	33.05	9
GU03749845	33.21	9	GU05606630	33.22	12	GU06400100	33.01	1
GU03995730	33.39	26	GU05610530	33.29	1	GU06409800	33.01	14
GU05001630	34.41	12	GU05611430	33.64	9	GU06412300	33.24	2
GU05002130	34.41	3	GU05614130	33.29	8	GU06418600	33.17	6
GU05003630	34.40	17	GU05615230	33.29	2	GU06431700	33.02	3
GU05004930	34.40	24	GU05630531	33.31	1	GU06431900	33.02	2
GU05005730	34.50	4	GU05632730	33.31	3	GU06434300	33.15	1
GU05107430	33.28	2	GU05632730	33.65	3	GU0643430000BM	33.15	1
GU05128230	33.27	15	GU05634430	33.31	5	GU0643430000YN1	33.15	1
GU05135930	33.25	4	GU05635730	33.31	6	GU0643430000YV2	33.15	1
GU05152230	34.50	3	GU05635730	33.65	6	GU06434301	33.15	1
GU05204930	34.52	8	GU05638130	33.11	9	GU06434302	33.15	1
GU05206530	33.10	12	GU05654630	33.33	3	GU06438600	33.17	10
GU05210631	34.54	1	GU05658431	33.06	13	GU06438700	33.17	1
GU05211331	34.54	10	GU05659030	33.33	5	GU06439200	33.17	16
GU05211431	34.54	7	GU05659130	33.33	4	GU06443500	33.04	14
GU05212031	34.54	4	GU05661130	33.21	4	GU06445900	33.04	7
GU05212631	34.54	9	GU05663530	33.32	7	GU06445901	33.04	9
GU05213631	34.55	1	GU05666030	33.32	9	GU06446000	33.04	10
GU05214031	34.55	7	GU05701430	34.57	7	GU06447500	33.04	16
GU05214231	34.55	3	GU05702530	34.57	6	GU06447501	33.04	11
GU05214431	34.55	12	GU05704531	33.37	2	GU06461300	33.01	15
GU05214630	34.54	5	GU05712431	34.57	1	GU06462100	33.16	6
GU05214630	34.55	5	GU05716730	33.36	9	GU06467300	33.17	3
GU05214731	34.55	9	GU05717030	33.36	16	GU06469200	33.18	6
GU05215031	34.55	10	GU05729230	33.36	3	GU06477000	33.37	15
GU05215631	34.54	2	GU05730730	34.58	1	GU06479600	33.16	2
GU05220531	34.55	11	GU05733330	34.58	4	GU06493100	33.06	1
GU05230531	34.53	18	GU05781630	33.07	28	GU06494000	33.06	2
GU05230831	34.53	21	GU05900130	33.39	14	GU06496100	33.34	8
GU05232431	34.53	19	GU05902530	36.60	13	GU06496200	33.34	9
GU05232631	34.53	20	GU05902730	36.61	7	GU06500200	33.20	4
GU05234130	34.53	11	GU05902731	36.61	4	GU06500600	33.20	2
GU05234230	34.53	12	GU05902732	36.61	2	GU06517700	33.39	9
GU05234431	34.53	1	GU05902733	36.61	3	GU06550200	33.12	1
GU05234631	34.53	2	GU05902734	36.61	6	GU06571500	33.18	8
GU05234731	34.53	10	GU05902735	36.61	5	GU06571600	33.18	9
GU05234931	34.53	13	GU05902736	36.61	8	GU0657310000BM	33.18	1
GU05235531	34.53	3	GU05911730	36.60	2	GU0657310000Y01	33.18	1
GU05236231	34.53	7	GU05917530	33.39	4	GU0657310000Y02	33.18	1
GU05238131	34.53	15	GU05927230	36.60	6	GU0657310000YV2	33.18	1
GU05238231	34.53	8	GU05944530	33.39	13	GU06573300	33.18	4
GU05238331	34.53	14	GU05944930	33.39	10	GU06576800	33.14	5
GU05238431	34.53	9	GU05945030	33.39	8	GU06576900	33.14	7
GU05239330	34.53	17	GU06100200	33.13	1	GU06582600	33.23	14
GU05256930	33.05	10	GU0610020000BM	33.13	1	GU06583000	33.23	8
GU05326330	33.09	6	GU0610020000Y01	33.13	1	GU06583200	33.23	2
GU05351230	33.10	2	GU0610020000Y02	33.13	1	GU06583600	33.23	9
GU05352430	33.11	2	GU0610020000YV2	33.13	1	GU06606500	33.22	7
GU05358030	33.10	6	GU06102300	33.13	2	GU06609600	33.36	27
GU05358130	33.10	5	GU06103900	33.13	4	GU06609600	33.37	20
GU05358230	33.10	7	GU06103900	33.38	2	GU06616300	33.29	9
GU05358330	33.10	1	GU06107100	33.13	7	GU06677000	33.32	18
GU05358530	33.10	15	GU06113300	33.26	3	GU06704700	33.17	8
GU05358630	33.10	16	GU06113700	33.26	7	GU06704800	33.17	5
GU05425530	33.01	4	GU06114000	33.26	1	GU06704901	33.13	11
GU05446431	33.04	12	GU06114200	33.26	6	GU06729800	33.14	8
GU05466830	33.16	7	GU06121900	33.27	12	GU06736800	33.38	1
GU05466830	33.38	4	GU06123401	33.27	10	GU06740200	33.34	2
GU05547030	33.08	6	GU06123500	33.27	9	GU06740200	33.34	2
GU05547130	33.08	5	GU06124800	33.27	11	GU06740400	33.34	28



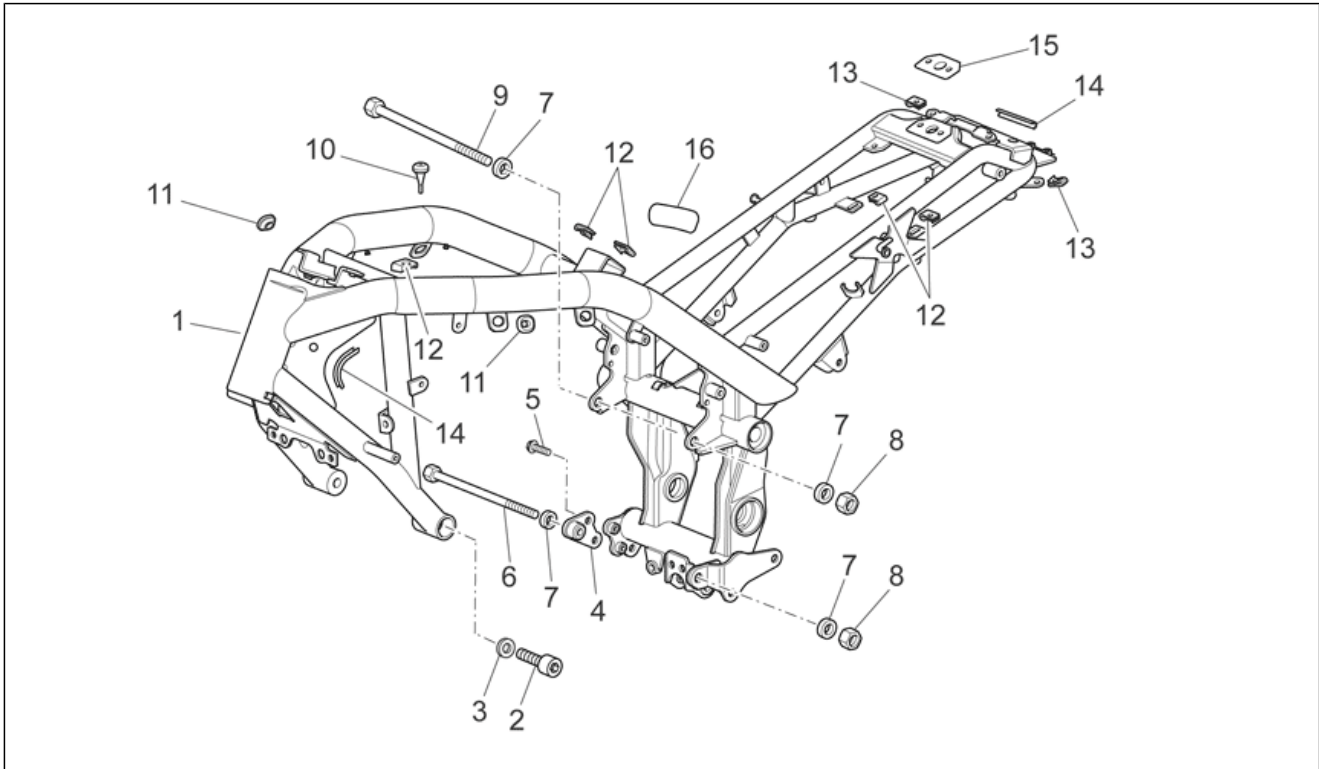
Code	N.Tafel	Pos.	Code	N.Tafel	Pos.	Code	N.Tafel	Pos.
GU06740500	33.34	1	GU30103730	33.63	12	GU92232028	34.56	5
GU06740500	33.34	1	GU30150900	34.50	9	GU92249224	33.08	7
GU06740501	33.34	1	GU30153000	34.50	1	GU92252029	34.54	3
GU06740900	33.35	1	GU30158900	34.49	3	GU92252029	34.55	4
GU06741200	33.18	7	GU30158900	34.50	12	GU92602525	34.47	17
GU06746300	33.37	12	GU30217900	33.01	3	GU92605408	34.57	12
GU06747900	33.37	6	GU30441005	33.03	4	GU92606206	33.32	15
GU06750600	33.34	16	GU30611460	33.31	7	GU92606516	34.57	8
GU06750600	33.35	11	GU30611460	33.65	7	GU92609408	33.37	19
GU06751601	33.34	21	GU30714201	34.57	9	GU92630104	33.36	12
GU06751601	33.35	16	GU30716500	33.36	8	GU92630707	33.05	11
GU06753700	33.34	19	GU30729330	33.26	10	GU92650035	33.17	23
GU06753700	33.35	12	GU30944300	33.39	5	GU92650138	33.27	27
GU06764000	33.19	4	GU30970200	33.39	12	GU92650138	33.34	10
GU06765100	33.19	2	GU31003766	33.10	9	GU92660012	34.57	5
GU06765200	33.19	10	GU31003766	34.40	22	GU92660021	34.40	8
GU06765400	33.19	15	GU31003766	34.52	13	GU92750180	34.47	13
GU06765500	33.02	19	GU31159050	34.49	2	GU92787006	33.26	15
GU06765500	33.19	17	GU31159050	34.50	14	GU92787006	33.34	18
GU06782500	33.19	13	GU32474710	33.35	7	GU92787008	33.27	4
GU06782500	33.38	3	GU32602860	33.20	8	GU93180220	34.52	3
GU06783600	33.14	11	GU32727010	33.27	13	GU93222023	33.13	12
GU06917300	33.39	3	GU32748010	33.37	3	GU93222023	33.19	7
GU06917400	33.39	2	GU49609601	33.36	28	GU93231605	33.14	3
GU06926000	33.39	11	GU49609601	33.37	17	GU93304390	33.08	4
GU12018900	34.40	6	GU4FAN000030	34.57	10	GU93304390	33.36	28
GU12022600	34.40	31	GU61270300	34.40	13	GU93305061	34.59	13
GU12548201	34.59	18	GU90271014	34.53	16	GU93306017	33.24	18
GU12911801	36.60	10	GU90271022	34.53	4	GU93306018	33.24	13
GU12912000	36.60	8	GU90271030	34.54	8	GU93450127	33.34	20
GU12913600	36.60	17	GU90271030	34.55	8	GU93450127	33.35	13
GU14018400	33.09	8	GU90271230	34.54	6	GU94321077	34.50	10
GU14085900	34.51	11	GU90271230	34.55	6	GU95005306	33.23	4
GU14086000	34.51	13	GU90273026	33.11	8	GU95005306	34.49	13
GU14433400	34.47	12	GU90274002	33.19	12	GU95005308	33.27	6
GU14609650	33.36	28	GU90353014	34.53	22	GU95005312	33.27	18
GU14609650	33.37	17	GU90401424	34.52	12	GU95005325	33.29	10
GU14615901	33.23	11	GU90404558	33.11	3	GU95008204	33.36	11
GU14615901	33.27	5	GU90405367	34.40	4	GU95008205	33.25	8
GU14615901	33.34	7	GU90408511	33.10	10	GU95008205	33.35	5
GU14615901	34.40	5	GU90412237	34.41	2	GU95008205	33.36	24
GU14616150	33.29	13	GU90412541	34.55	14	GU95008206	34.50	11
GU14616150	33.31	8	GU90706009	33.63	14	GU95008206	34.59	10
GU14616150	33.64	12	GU90706061	33.64	16	GU95008210	33.05	8
GU14616150	33.65	13	GU90706061	33.65	12	GU95008305	34.59	19
GU14912603	36.60	24	GU90706141	33.36	21	GU95008310	33.32	26
GU14927100	36.60	9	GU90706151	34.50	5	GU95008313	33.01	7
GU17661052	33.32	8	GU90706178	34.40	25	GU95021104	33.21	11
GU17947560	36.60	15	GU90706203	34.40	32	GU95021108	33.34	25
GU18144350	34.49	4	GU90706347	34.41	8	GU95100116	34.46	16
GU18144350	34.50	13	GU90718120	33.10	3	GU95100116	34.59	12
GU18144350	34.52	7	GU91120507	33.35	6	GU95129100	34.44	31
GU19002020	34.52	14	GU91120606	34.41	13	GU95129100	34.45	32
GU19149800	33.23	13	GU91120607	34.41	7	GU95129100	34.60	13
GU19207220	34.52	10	GU91120620	33.27	8	GU95129100	34.61	13
GU19659500	33.32	2	GU91180711	33.23	6	GU95129131	33.37	18
GU19927100	36.60	18	GU91180823	34.57	2	GU95510620	33.10	4
GU19929600	36.60	14	GU91600365	34.47	19	GU95512081	34.40	9
GU25656100	33.21	8	GU91600450	34.47	14	GU95963062	33.63	11
GU25656100	33.30	8	GU92201025	34.53	6	GU95980216	34.40	33
GU28576591	33.01	12	GU92201117	34.53	5	GU95980319	34.52	6
GU28576591	33.24	7	GU92201226	34.55	13	GU95990023	33.63	10
GU28742562	33.37	5	GU92201226	34.56	2	GU96508066	34.40	3
GU29722760	33.36	22	GU92201822	34.54	11	GU96508075	34.40	7
GU29729461	33.36	25	GU92201822	34.55	2	GU97202355	34.52	2
GU30027931	33.26	11	GU92204230	33.11	5	GU97202435	33.63	16
GU30103730	33.13	13	GU92208518	33.11	4	GU97202665	33.31	4



Code	N.Tafel	Pos.
GU97202665	33.65	4
GU97260435	33.19	14
GU98082475	34.58	2
GU98084425	34.40	12
GU98210616	33.19	5
GU98223530	33.17	22
GU98230510	34.43	5
GU98230512	33.23	15
GU98230612	34.51	6
GU98230619	33.34	14
GU98230850	34.57	11
GU98231235	33.63	15
GU98250835	33.17	4
GU98350210	33.04	13
GU98350210	33.32	29
GU98350210	34.44	23
GU98350210	34.45	23
GU98350310	34.46	24
GU98350310	34.59	11
GU98350315	34.47	5
GU98350416	33.34	24
GU98370412	33.04	17
GU98370412	33.21	10
GU98370609	33.27	25
GU98370609	34.58	6
GU98370616	34.52	4
GU98370619	33.35	14
GU98370625	33.16	4
GU98370625	34.59	9
GU98610335	33.34	11
GU98612220	33.02	16
GU98620445	34.57	3
GU98620560	34.57	4
GU98622214	34.44	23
GU98622214	34.45	23
GU98622214	34.60	15
GU98622214	34.61	15
GU98680222	33.17	11
GU98680222	33.25	5
GU98680222	33.35	4
GU98680335	34.40	14
GU98680335	34.41	15
GU98680340	33.13	6
GU98680340	33.20	9
GU98680340	34.40	28
GU98680360	34.40	21
GU98680445	33.27	17
GU98680450	33.10	11
GU98682125	33.36	10
GU98682212	33.36	23
GU98682212	34.59	15
GU98682215	33.37	16
GU98682316	33.02	5
GU98682316	33.05	4
GU98682316	33.32	21
GU98682316	34.41	14
GU98682320	33.05	12
GU98682320	34.41	6
GU98682325	33.08	9
GU98682330	34.41	11
GU98682650	33.01	2
GU98683520	33.36	31
GU98690335	33.34	17
GU98690440	33.23	10
GU98690540	33.23	12
GU98700430	33.04	5
GU98700430	33.06	11

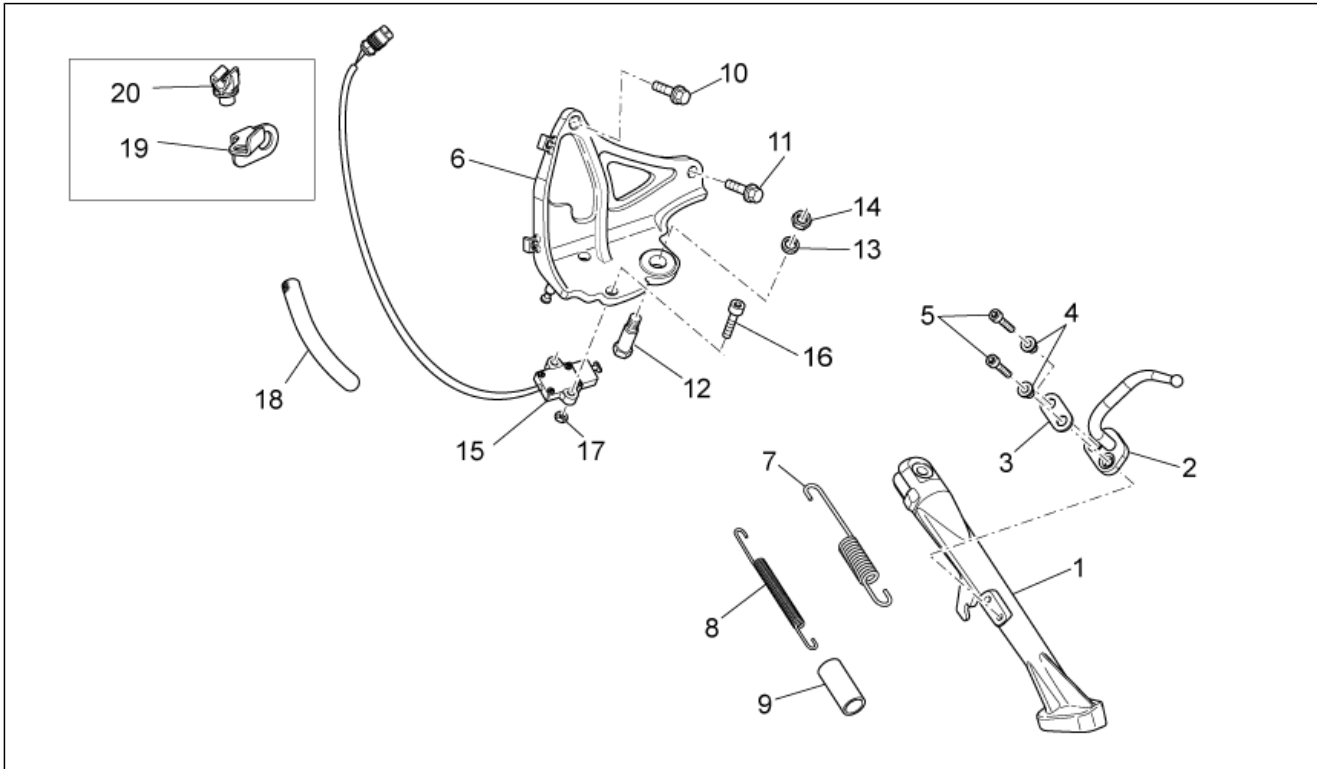
Code	N.Tafel	Pos.
GU98700430	33.20	3
GU98700430	33.34	6
GU98700475	33.04	2
GU98700530	33.04	15
GU98710215	33.04	8
GU98710215	33.13	3
GU99210406	33.10	14

Groep	FRAME
Code	33.01
Beschrijving	Frame
Revisie	1



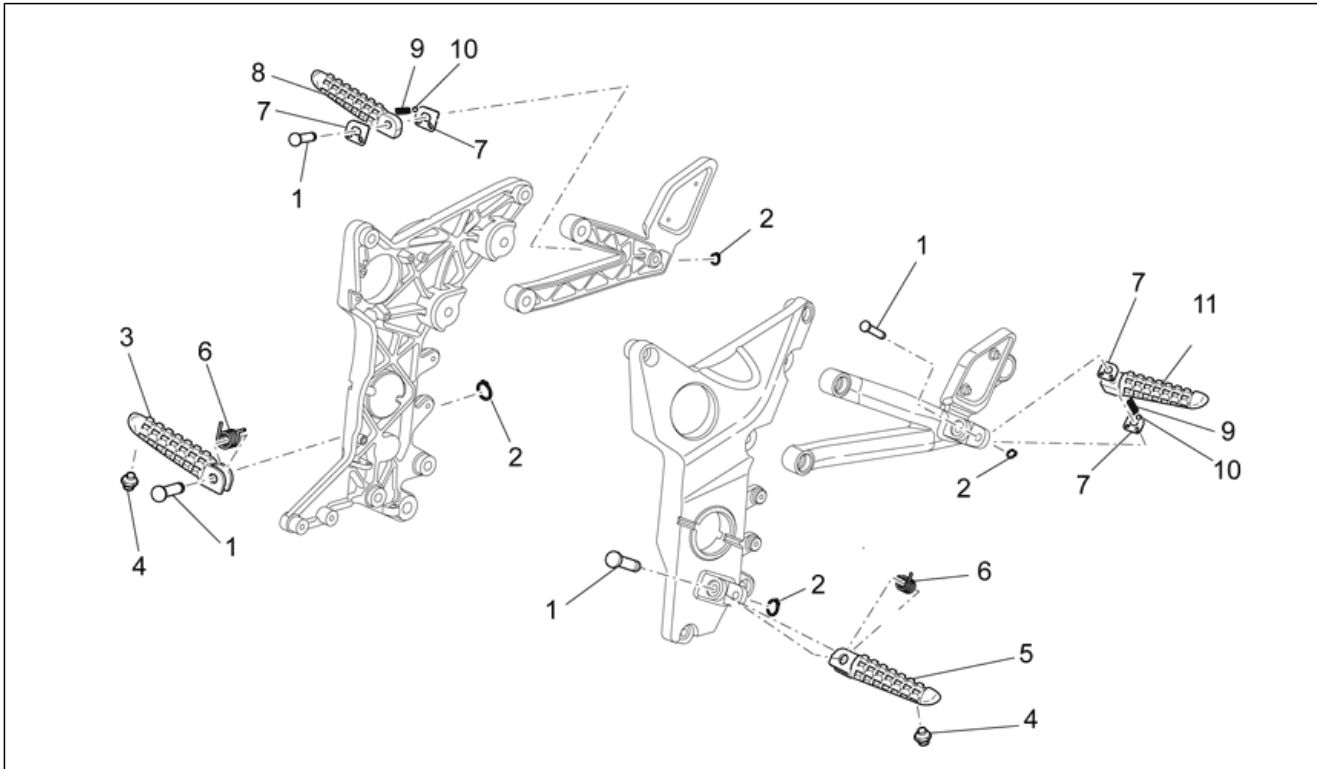
Pos.	Code	Beschrijving	Aant.	Varianten
1	977350	Frame zwart	1	
1	GU06400100	Frame grijs	1	
2	GU98682650	Binnenzeskantbout M12x50	2	
3	GU30217900	Sluitring 13x18x1,7	2	
4	GU05425530	Plaat re	1	
5	AP8152288	Zeskantbout geflenst	2	
6	AP8221160	Pin M12	1	
7	GU95008313	Sluitring 13x24x2,5	4	
8	AP8150432	Zelfborg. moer laag M12*	2	
9	AP8221307	Pin M12	1	
10	AP8220238	Rubbertje	2	
11	AP8220162	Rubbertje	4	
12	GU28576591	Clip M6	8	
13	AP8102375	Clip m5	8	
14	GU06409800	Pakking	3	
15	GU06461300	Bescherming	1	
16	977050	Plaat bescherming	2	

Groep	FRAME
Code	33.02
Beschrijving	Lateral stand
Revisie	1



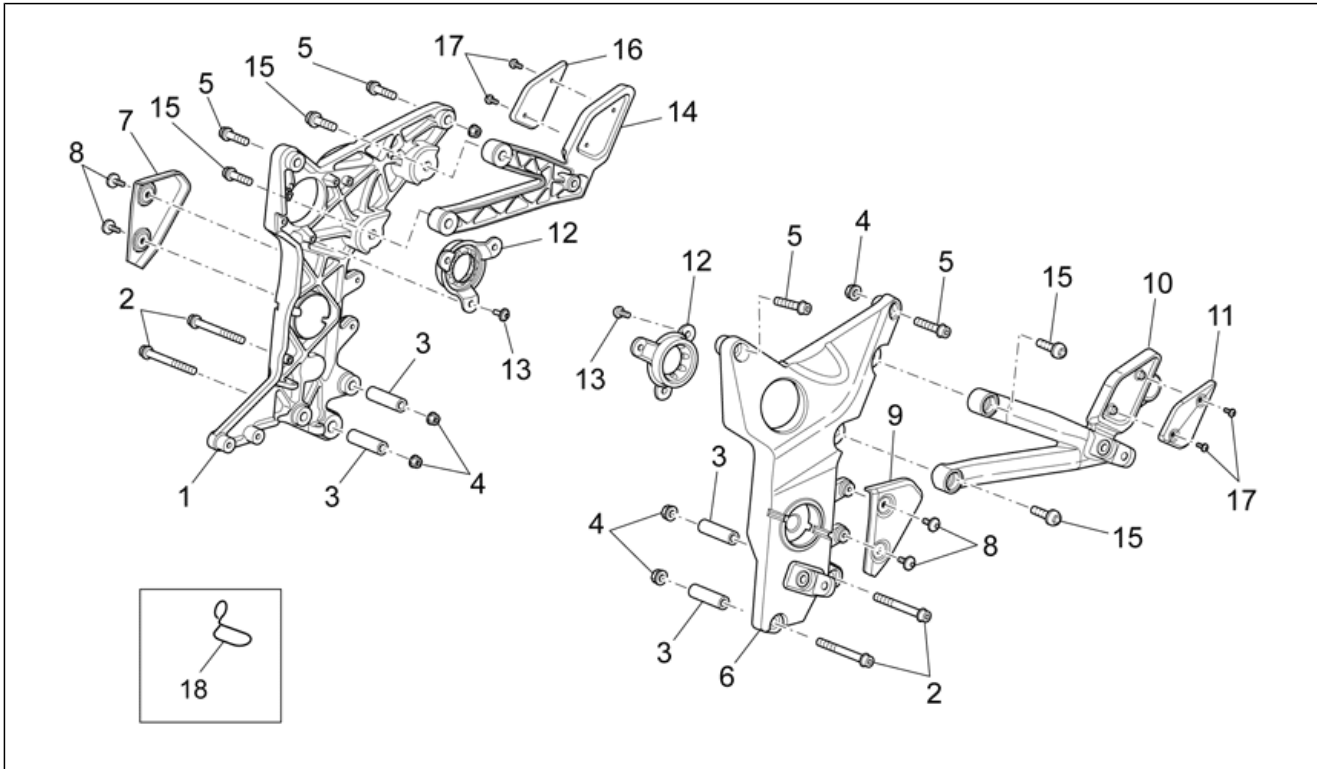
Pos.	Code	Beschrijving	Aant.	Varianten
1	977067	Laterale standaard	1	
2	GU06431900	Hendel	1	
3	GU06431700	Pakking	1	
4	AP8121795	'T'-vormige huls *	2	
5	GU98682316	Binnenzeskantbout M6x16	2	
6	977065	Plaat standaard	1	
7	AP8121014	Spiraalveer cilind.aandr. *	1	
8	AP8221197	Trekveer standaard	1	
9	AP8102524	Bescherming veer standaard	1	
10	AP8152473	Zeskantbout geflenst	1	
11	AP8152287	Zeskantbout geflenst M8x25	2	
12	AP8121607	Bout standaard	1	
13	AP8150292	Elastische kromme sluitring *	1	
14	AP8152001	Moer laag M10x1,25	1	
15	639542	Button for the side stand	1	
16	GU98612220	Binnenzeskantbout	2	
17	AP8152306	Zelfborg.bout gefl. m5	1	
18	GU00823923140	Thermische gaine	1	
19	GU06765500	Kabelwartel	1	
20	AP8121882	Kabelgeleider	1	

Groep	FRAME
Code	33.03
Beschrijving	Foot rests I
Revisie	1



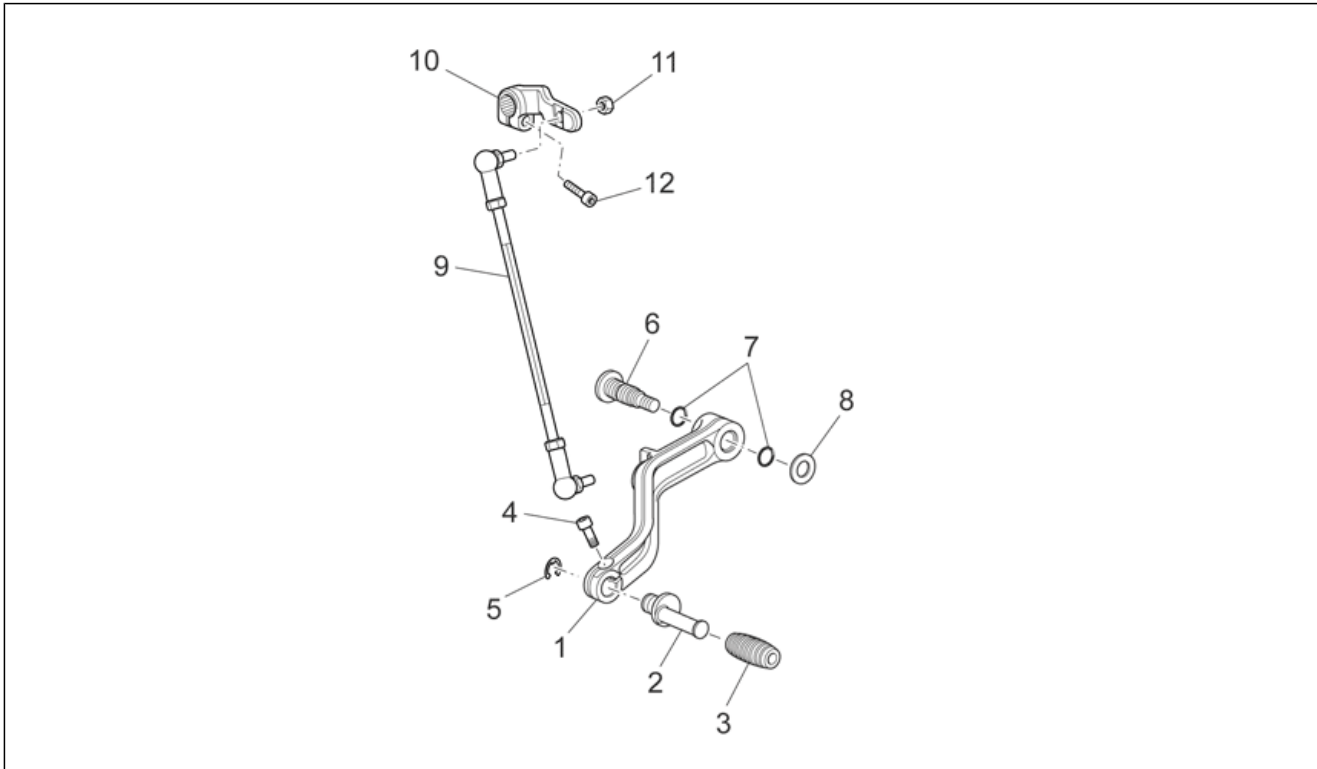
Pos.	Code	Beschrijving	Aant.	Varianten
1	AP8121567	Pin	4	
2	AP8152409	Blokkeerring radiaal	4	
3	884095	Voetensteun bestuurder re New	1	
3	977822	Voetensteun bestuurder re Old	1	
4	GU30441005	Pin	2	
5	884096	Voetensteun bestuurder li New	1	
5	977823	Voetensteun bestuurder li Old	1	
6	AP8221277	Trekveer voetensteun	2	
7	AP8134451	Plaat eindloop voetensteun	4	
8	884097	Voetenst.pass. re New	1	
8	977824	Voetenst.pass. re Old	1	
9	AP8121133	Spiraalveer cilind.compr.	2	
10	AP8101861	Bol D6,35	2	
11	884098	Voetenst. pass.li New	1	
11	977825	Voetenst. pass.li Old	1	

Groep	FRAME
Code	33.04
Beschrijving	Foot rests II
Revisie	1



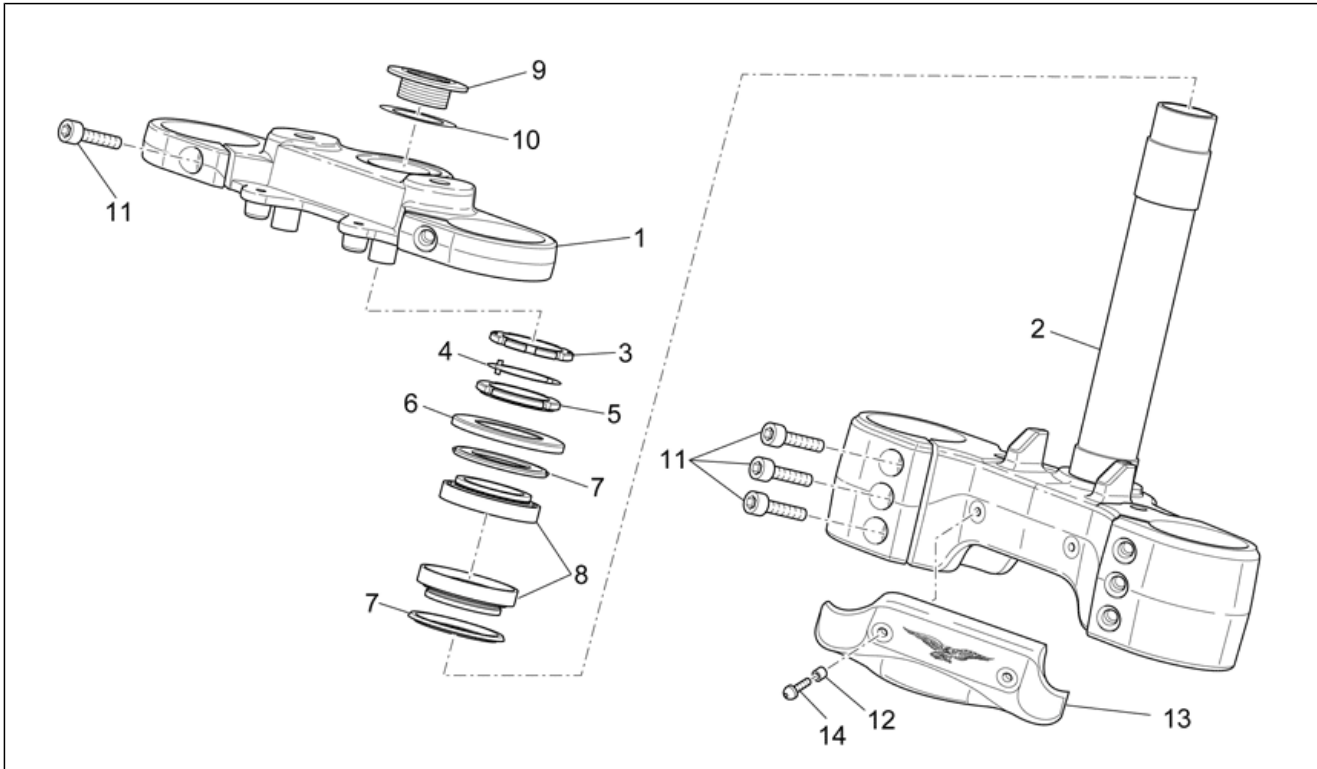
Pos.	Code	Beschrijving	Aant.	Varianten
1	977052	Plaat re	1	
2	GU98700475	Bout tcc M8x75	4	
3	AP8121805	Afstandhouder 8,2x14x49,5	4	
4	AP8152300	Zelfborg.bout gefl. M8	6	
5	GU98700430	Bout tcc M8x30	4	
6	977053	Plaat li	1	
7	GU06445900	Bescherming re	1	
8	GU98710215	Bout	4	
9	GU06445901	Bescherming li	1	
10	GU06446000	Steun voetenst. li	1	
11	GU06447501	Bescherming li	1	
12	GU05446431	Ring	2	
13	GU98350210	Bolbout met binnenzeskant	6	
14	GU06443500	Steun voetenst. re	1	
15	GU98700530	Bout tcc M10x30	4	
16	GU06447500	Bescherming re	1	
17	GU98370412	Bolbout met binnenzeskant M4x12	4	
18	AP8120428	Kabelgeleider	1	

Groep	FRAME
Code	33.05
Beschrijving	Gear lever
Revisie	1



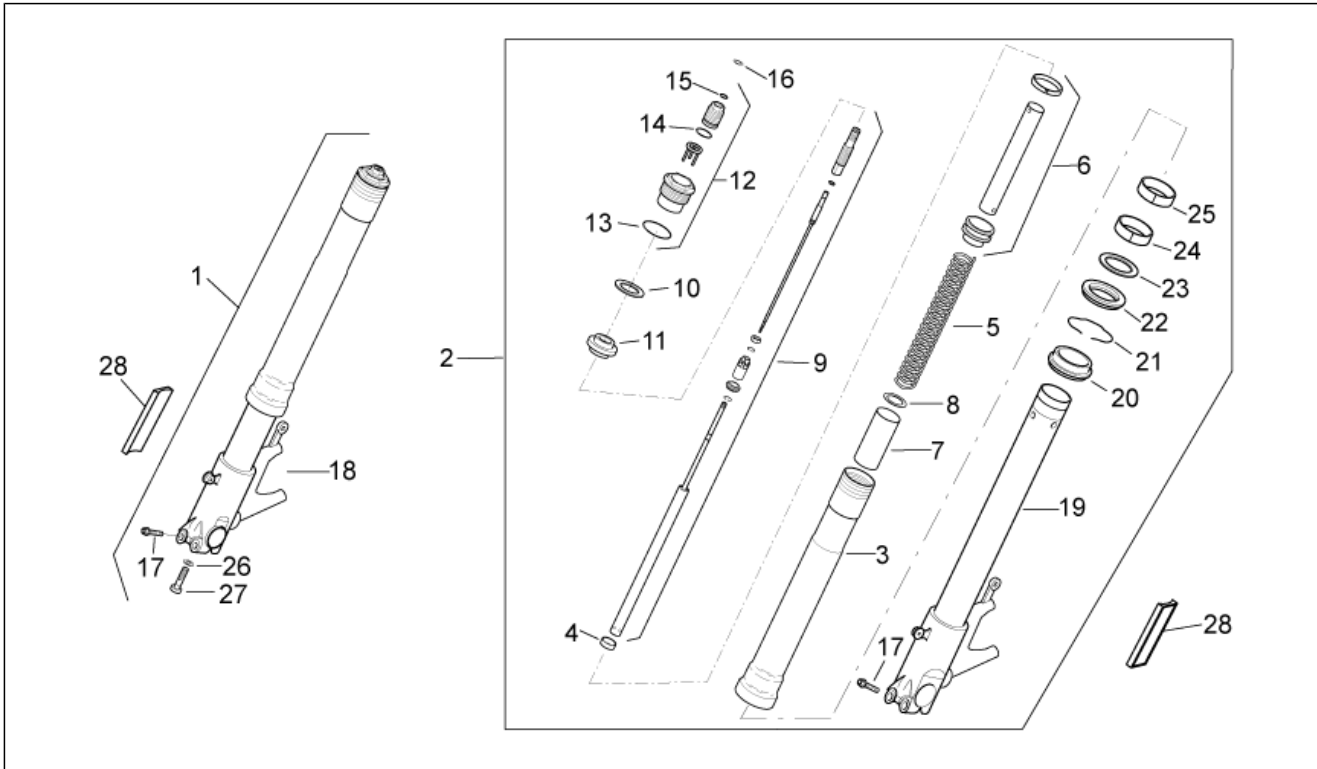
Pos.	Code	Beschrijving	Aant.	Varianten
1	GU06250900	Versnellingshendel	1	
2	AP8121221	Pin remhendel	1	
3	AP8120912	Rubbertje voor hendel	1	
4	GU98682316	Binnenzeskantbout M6x16	1	
5	AP8150462	Seegerring d9	1	
6	AP8121223	Pin hendel achterrem	1	
7	AP8144007	OR-ring 11,11x1,78	2	
8	GU95008210	Sluitring 10,2X18X2	1	
9	GU06257800	Trekker cpl.	1	
10	GU05256930	Hendel overbrenging	1	
11	GU92630707	Moer	2	
12	GU98682320	Binnenzeskantbout M6x20	1	

Groep	FRAME
Code	33.06
Beschrijving	Steering
Revisie	1



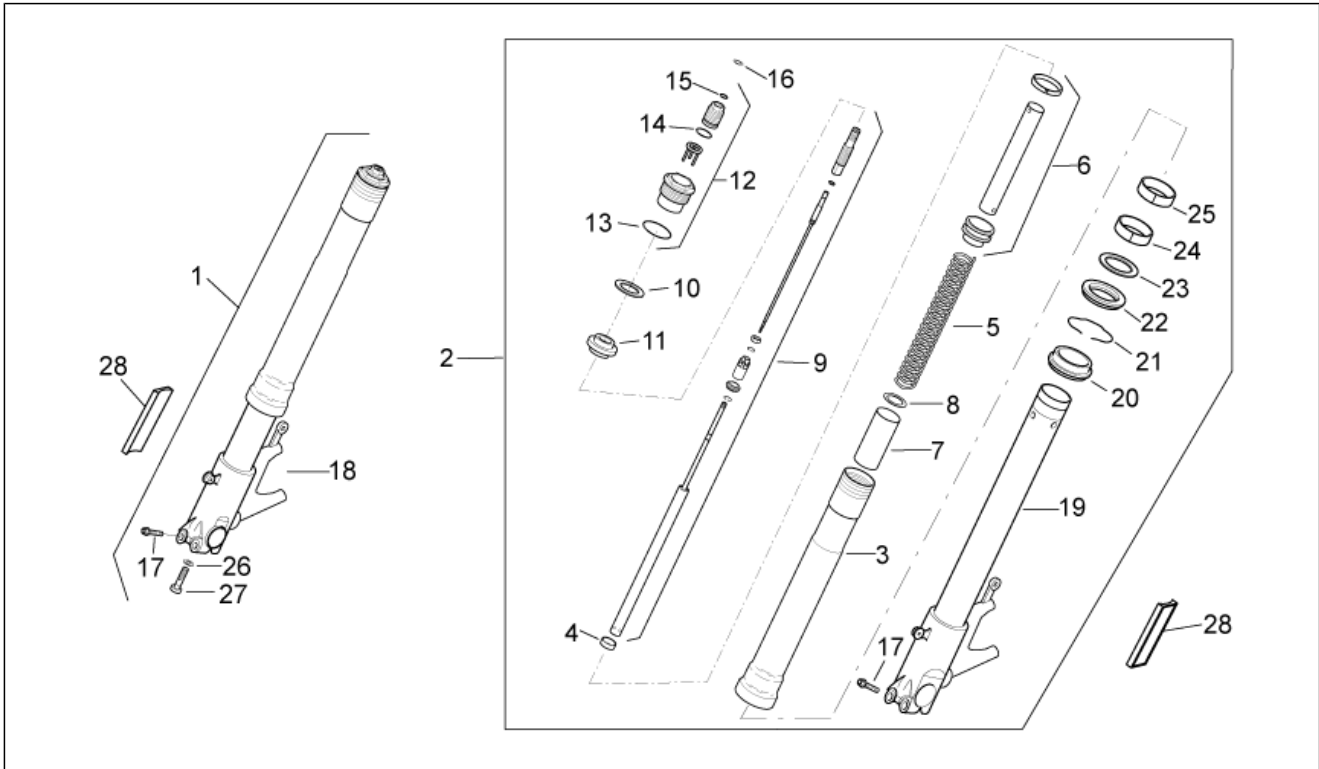
Pos.	Code	Beschrijving	Aant.	Varianten
1	GU06493100	Plaat bov.vork	1	
2	GU06494000	Basis met kop	1	
3	AP8123643	Tegenmoer	1	
4	AP8121207	Veiligheidsplaatje stuur	1	
5	AP8123642	Moer	1	
6	AP8123644	Stofkeerring	1	
7	AP8123641	Stofkeerring	2	
8	AP8110077	Kogellager axiaal	2	
9	AP8121346	Huls bevest. plaat bov.	1	
10	AP8152384	Sluitring dop kop	1	
11	GU98700430	Bout tcc M8x30	8	
12	AP8221036	Beslagring 5,3x8x7,1	2	
13	GU05658431	Bevestigingsplaat remleiding	1	
14	AP8152298	Bolbout met binnenzeskant, geflenst M5x16	2	

Groep	FRAME
Code	33.07
Beschrijving	Front fork
Revisie	1



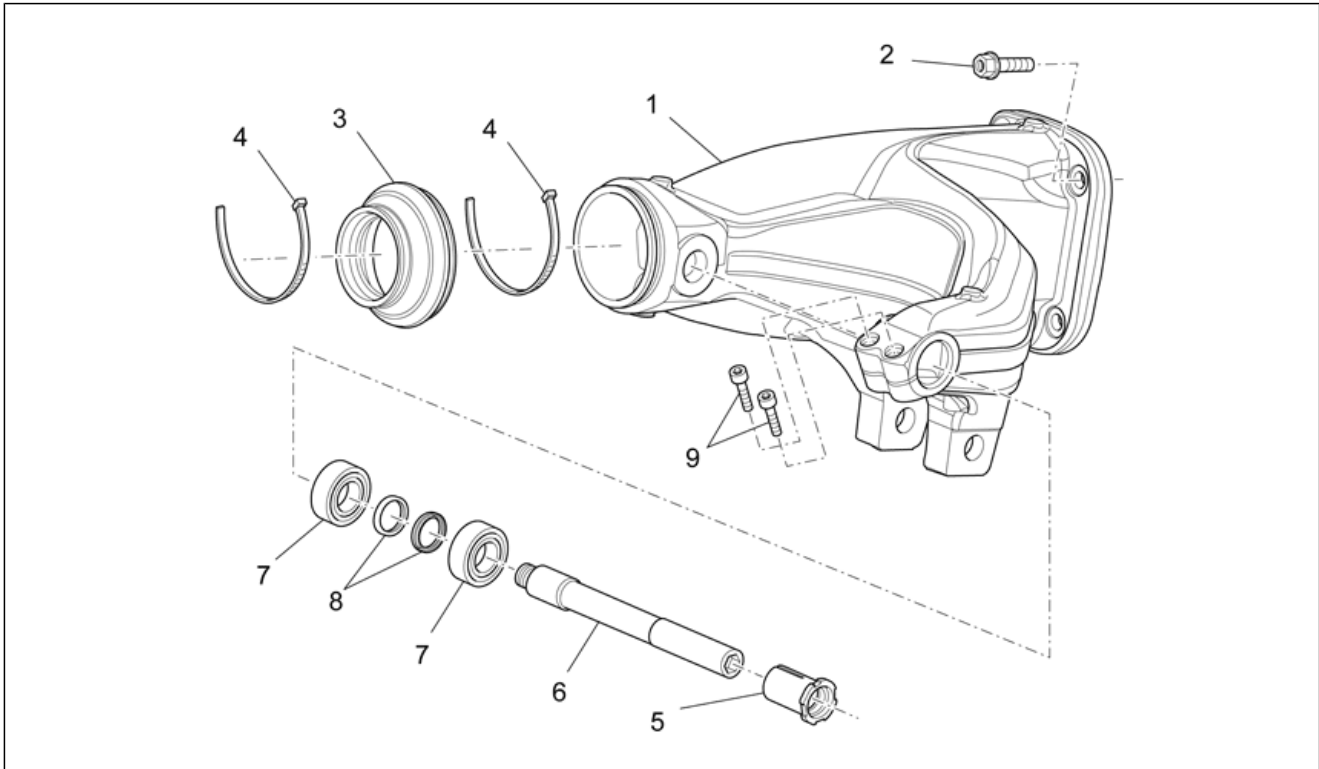
Pos.	Code	Beschrijving	Aant.	Varianten
1	978160	Stang re vork radiaal	1	
2	978159	Stang li vork radiaal	1	
3	978487	Hulsel	2	
4	AP8123810	Huls koppeling pompend deel	2	
5	AP8163495	Veer	2	
6	AP8123832	Buis voorbelasting cpl.	2	
7	AP8123835	Afstandhouder	2	
8	AP8123836	Sluitring	2	
9	AP8163496	Pompend deel cpl.	2	
10	AP8123816	Sluitring	2	
11	AP8123815	Ring	2	
12	AP8123817	Dop hulsel cpl.	2	
13	AP8123834	OR-ring	2	
14	AP8123819	OR-ring	2	
15	AP8123820	OR-ring	2	
16	AP8123821	Blokkeerring	2	
17	AP8152290	Zeskantbout geflenst M8x40	4	
18	978456	***RIGHT STEM	1	
19	978455	***LEFT STEM	1	
20	AP8123824	Stofkeerring	2	
21	981013	Seegerring	2	
22	AP8123825	Oliekeerring	2	
23	981012	Ring	2	
24	AP8123827	Huls D.47,1xd.43xh.20	2	
25	AP8123828	Huls glijding D.44,5xd.41,1xh.20	2	
26	AP8123811	Speciale sluitring	2	
27	AP8123812	Bout M10x1,5	2	
28	GU05781630	Reflector amber	2	LAND:Canadian[CA], United States of America[USA]

Groep	FRAME
Code	33.07
Beschrijving	Front fork
Revisie	1



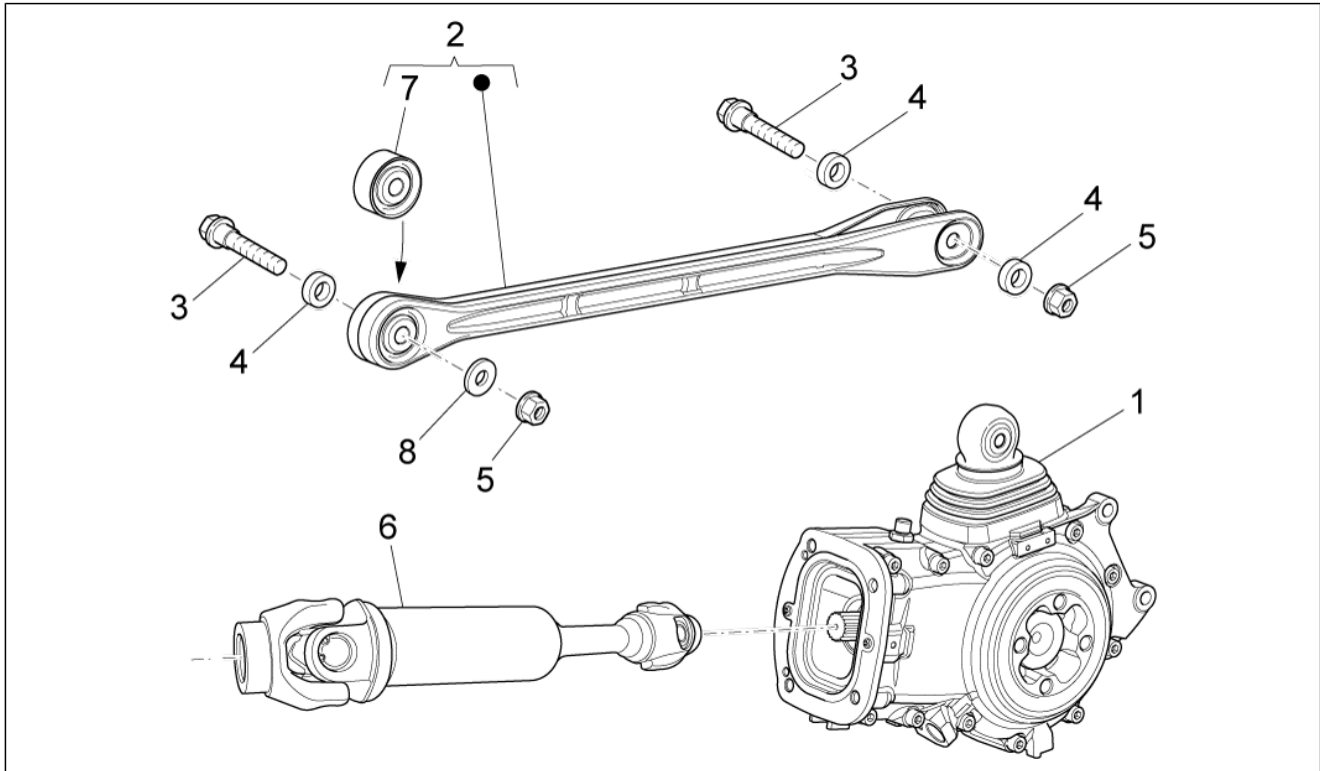
Pos.	Code	Beschrijving	Aant.	Varianten
				Technical Specifications:Standard version[std]

Groep	FRAME
Code	33.08
Beschrijving	Swing arm
Revisie	1



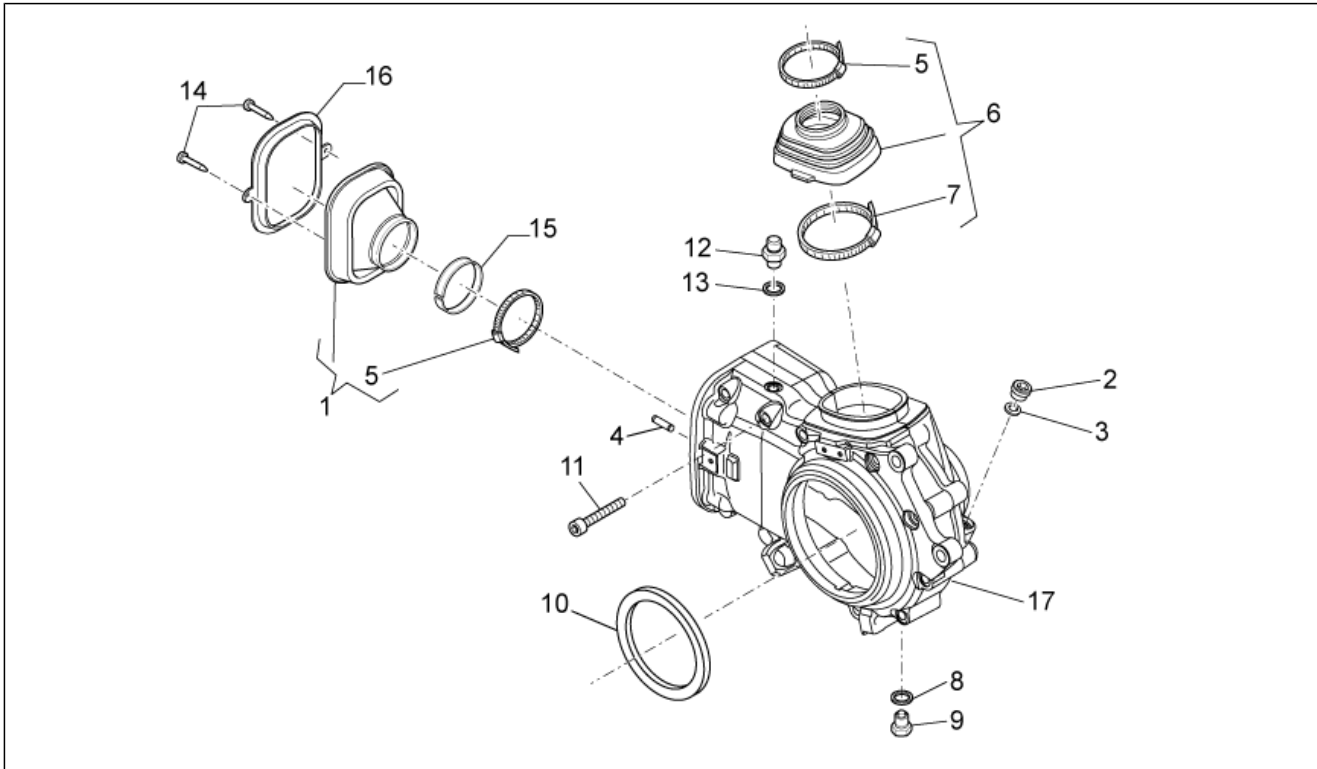
Pos.	Code	Beschrijving	Aant.	Varianten
1	978350	Vork v.zwart	1	
2	AP8152318	Zeskantbout geflenst M10x35	4	
3	GU05548030	Blower van rubber	1	
4	GU93304390	Klemmetje 3,6x375	2	
5	GU05547130	Huls	1	
6	GU05547030	Pin	1	
7	GU92249224	Rollager 25x47x17	2	
8	GU05547930	Dichtingsring	2	
9	GU98682325	Binnenzeskantbout M6x25	2	

Groep	FRAME
Code	33.09
Beschrijving	Transmission complete
Revisie	1



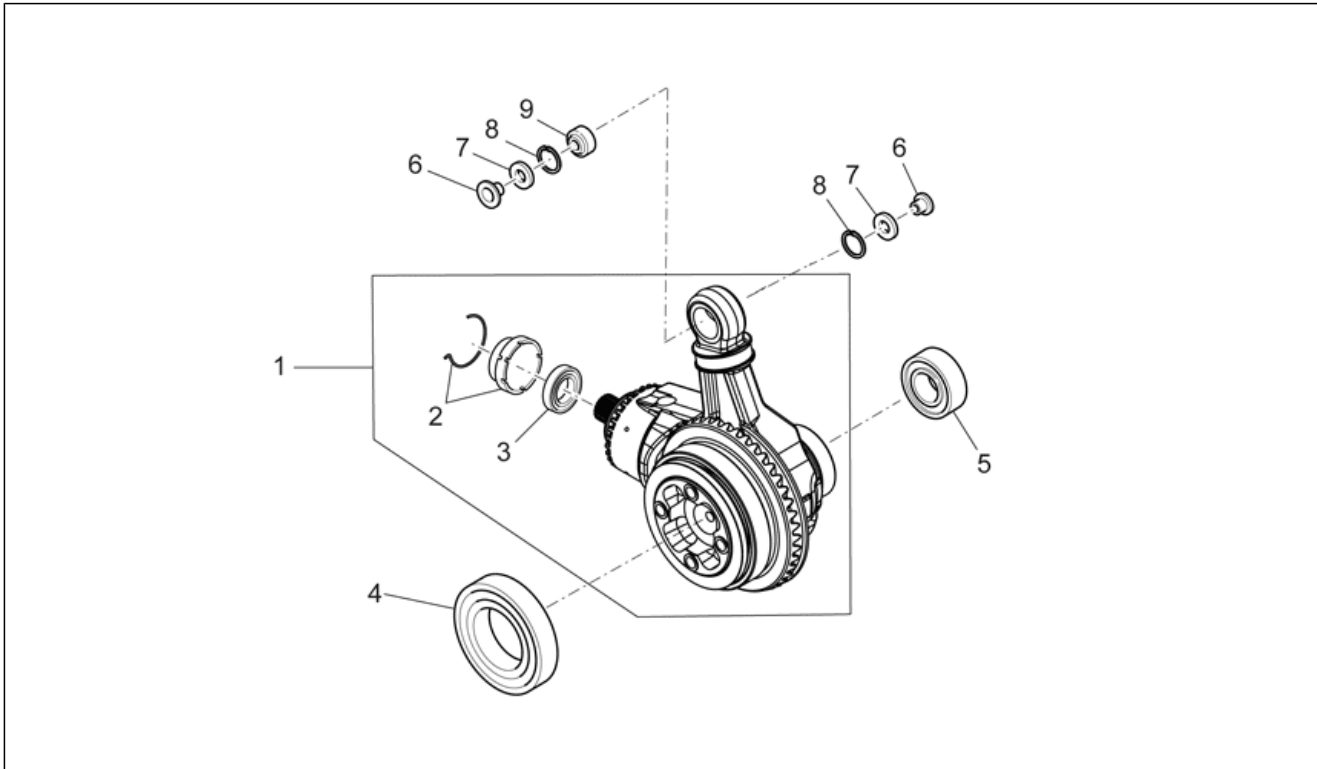
Pos.	Code	Beschrijving	Aant.	Varianten
1	976570	Doos transmissie cpl.zwart	1	
2	883046	Reactiestaaf cpl.	1	
3	AP8152410	Zeskantbout geflenst M10x55	2	
4	AP8121218	Afstandhouder 10,2x20x4	3	
5	AP8152242	Moer	2	
6	GU05326330	Drijfjas	1	
7	883045	Silent block	1	
8	GU14018400	Sluitring 10,5X21X1	1	

Groep	FRAME
Code	33.10
Beschrijving	Trans.cpl.-Cage
Revisie	1



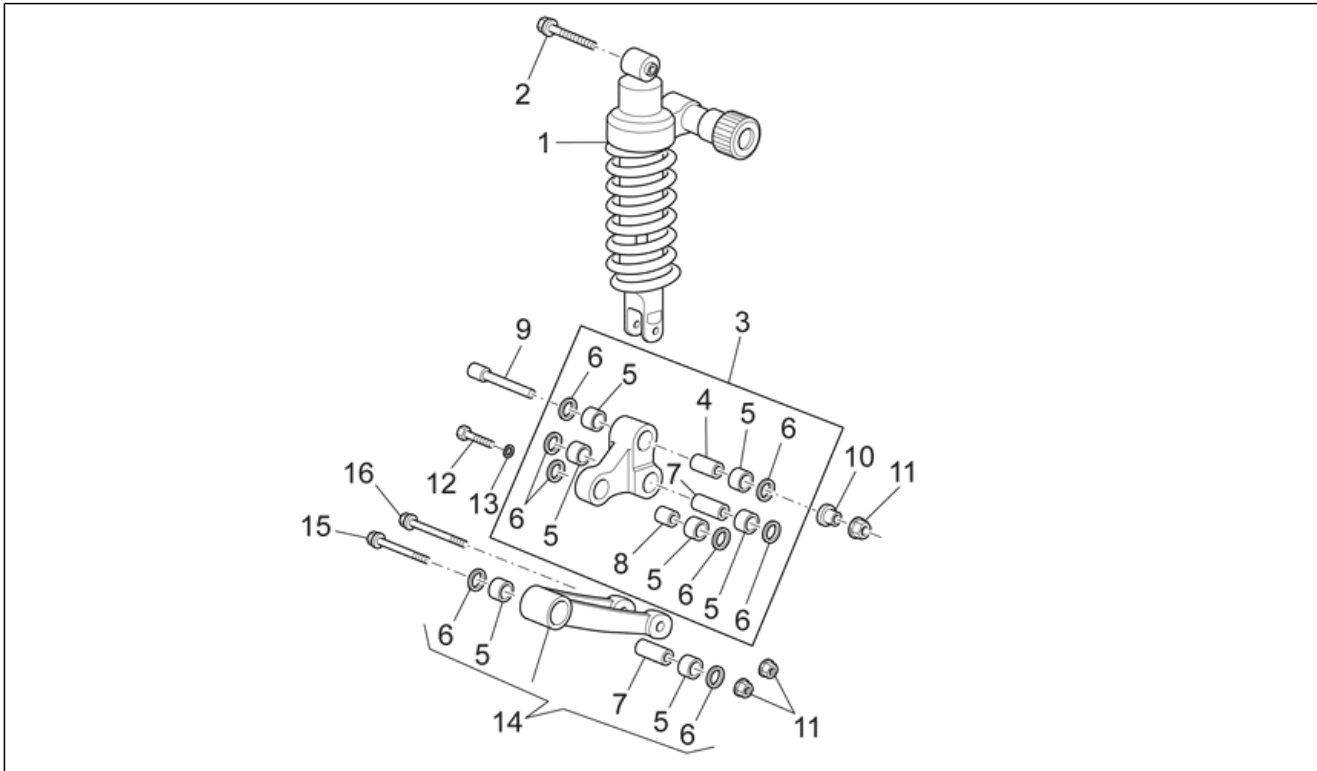
Pos.	Code	Beschrijving	Aant.	Varianten
1	GU05358330	Stofkap	1	
2	GU05351230	Oliedop M12x1,5	1	
3	GU90718120	Sluitring	1	
4	GU95510620	Plug 6x20	2	
5	GU05358130	Klemmetje	2	
6	GU05358030	Stofkap	1	
7	GU05358230	Klemmetje	1	
8	GU01528930	Pakking 10x18x1,5	1	
9	GU31003766	Afvoerdop olie M10x1	1	
10	GU90408511	Dichtingsring 85x110x8BASL	1	
11	GU98680450	Binnenzeskantbout M8x50	11	
12	GU05206530	Dop ontluchting	1	
13	GU01528930	Pakking 10x18x1,5	1	
14	GU99210406	Bout M3,9x6,5	2	
15	GU05358530	Ring	1	
16	GU05358630	Pakking	1	
17	978392	Doos transm. zwart	1	

Groep	FRAME
Code	33.11
Beschrijving	Trans.cpl.-Bevel gear
Revisie	1



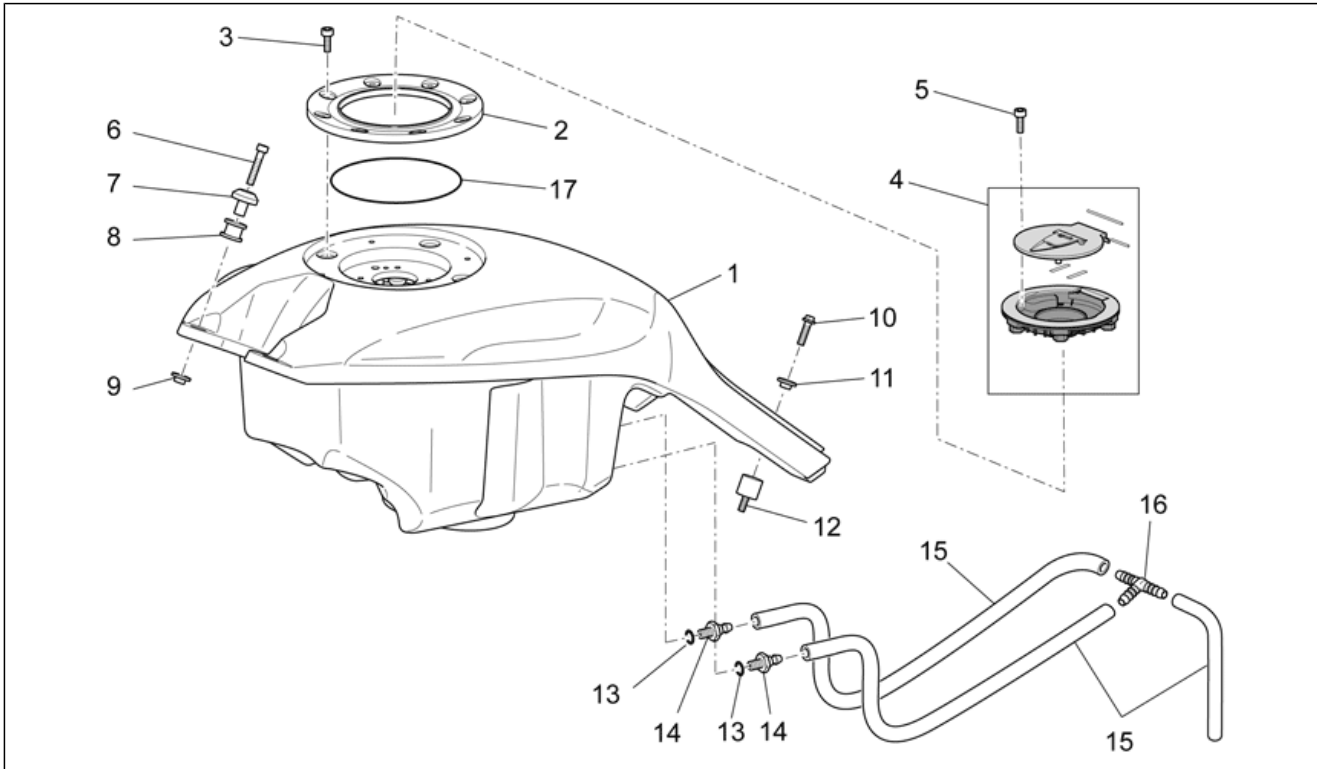
Pos.	Code	Beschrijving	Aant.	Varianten
1	976581	Kit conisch koppel 12/44	1	
2	GU05352430	Moer	1	
3	GU90404558	Dichtingsring 45x58x7	1	
4	GU92208518	Kogellager 85x120x18	1	
5	GU92204230	Kogellager 30x62x16	1	
6	AP8121098	Huls	2	
7	AP8120485	Dichtingsring	2	
8	GU90273026	Seegerring	2	
9	GU05638130	Sfeervormig buigpunt	1	

Groep	FRAME
Code	33.12
Beschrijving	Connecting rod - rear shock abs.
Revisie	1



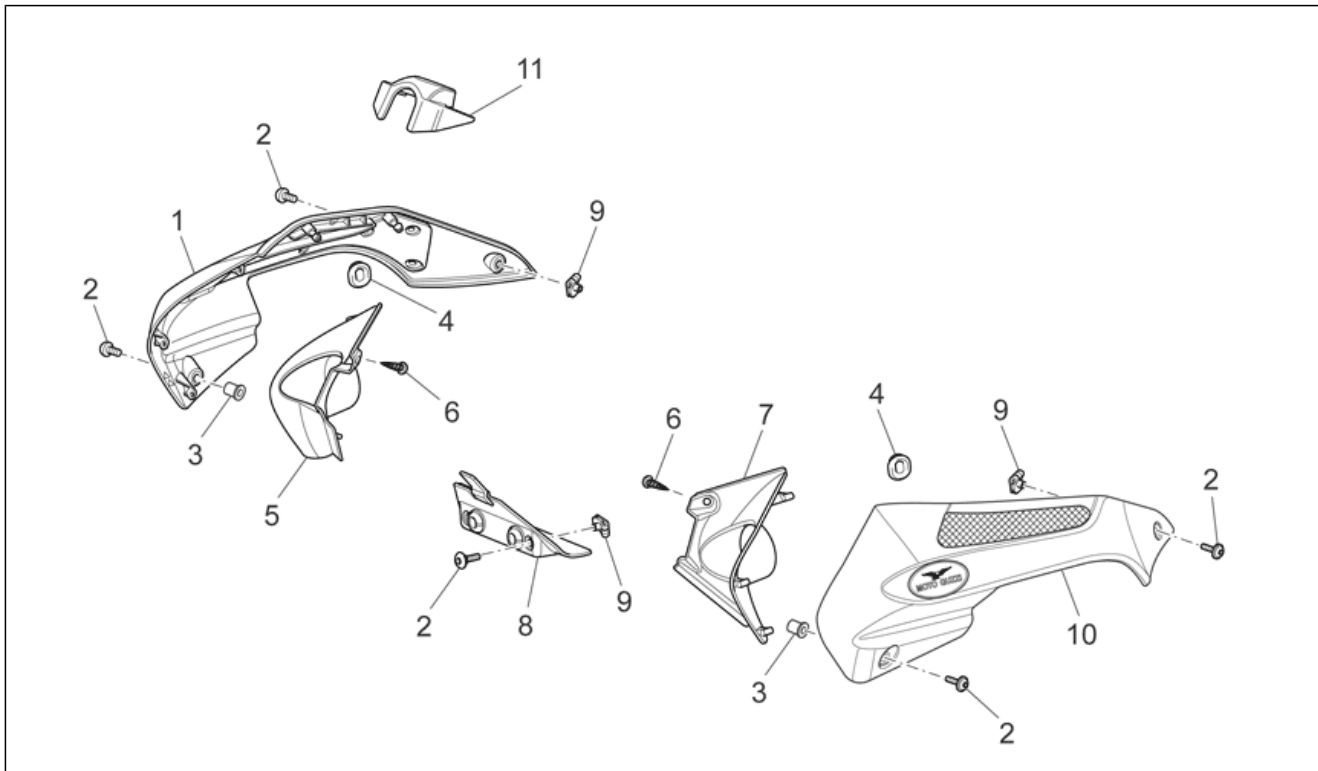
Pos.	Code	Beschrijving	Aant.	Varianten
1	GU06550200	Schokdemper	1	
2	AP8152398	Zeskantbout geflenst M10x80	1	
3	GU05560330	Dubbele drijfstang	1	
4	AP8135924	Zuigerpen dubbele drijfstang L40	1	
5	AP8110066	Rolhuls	7	
6	AP8110068	Oliekeerring D18x24x3	8	
7	GU05562030	Zuigerpen dubbele drijfstang L47	2	
8	AP8135608	Zuigerpen dubbele drijfstang L25	1	
9	AP8152397	Binnenzeskantbout M10x82	1	
10	AP8121155	'T'-vormige huls *	1	
11	AP8152301	Zelfborg.bout gefl.	3	
12	AP8152147	Zeskantbout M10x47	1	
13	AP8150292	Elastische kromme sluitring *	1	
14	GU05562430	Enkele drijfstang cpl.	1	
15	AP8152482	Zeskantbout geflenst M10x85	1	
16	AP8152396	Zeskantbout geflenst M10x95	1	

Groep	FRAME
Code	33.13
Beschrijving	Fuel tank
Revisie	1



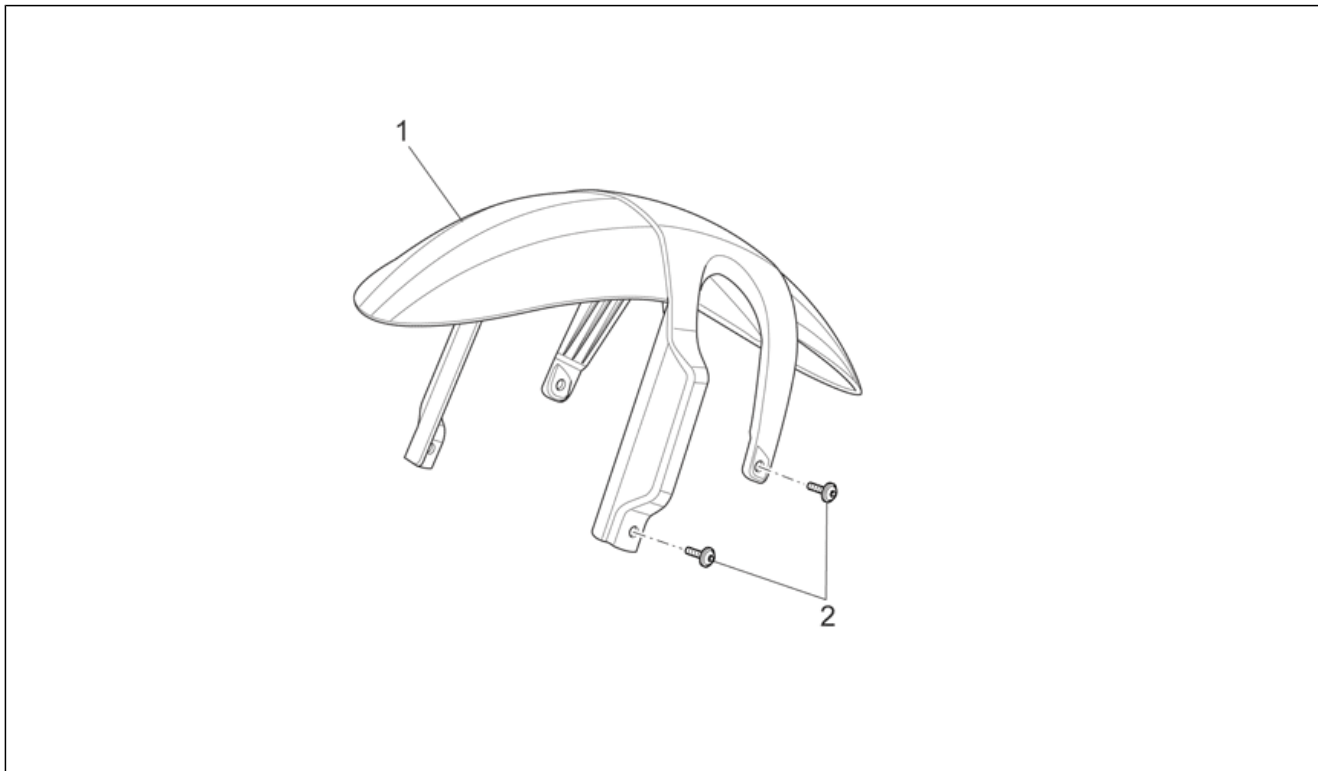
Pos.	Code	Beschrijving	Aant.	Varianten
1	88797200YE3	Brandstoftank grijs	1	Kleur van het voertuig: Black Devil[b/d] Technical Specifications: Decalcato[D]
1	GU06100200	Brandstoftank ruw	1	Kleur van het voertuig: Blank[gr]
1	GU0610020000BM	Benzinetank v.wit	1	Kleur van het voertuig: Diamond Light 2007[d/wh] Technical Specifications: Decalcato[D]
1	GU0610020000Y01	Benzinetank v.rood	1	Kleur van het voertuig: Guzzi Red 2007[r/red] Technical Specifications: Decalcato[D]
1	GU0610020000Y02	Brandstoftank zwart	1	Kleur van het voertuig: Guzzi Black 2007[g/bl] Technical Specifications: Decalcato[D]
1	GU0610020000YV2	Brandstoftank groen	1	Kleur van het voertuig: Tenni Green 2009 (s.t.883601)[t/gn] Technical Specifications: Decalcato[D]
2	GU06102300	Moer dop	1	
3	GU98710215	Bout	8	
4	GU06103900	Tankdop	1	
5	B043864	Binnenzeskantbout M5x14	4	
6	GU98680340	Binnenzeskantbout M6x40	2	
7	GU06107100	Huls koppeling tank	2	
8	AP8144328	Rubbetje	2	
9	AP8121075	'T'-vormige huls *	2	
10	AP8152280	Zeskantbout geflenst M6x25	2	
11	GU06704901	'T'-vormige huls *	2	
12	GU93222023	Silent-block	2	
13	GU30103730	Verbinding	2	
14	AP8120965	OR-ring 2018	2	
15	AP8220263	Ontluchttingsbuis 4x8	3	
16	AP8104666	Driewegsverbinding	1	
17	977062	OR-ring 164,69X3,53	1	

Groep	FRAME
Code	33.14
Beschrijving	Front body - Duct
Revisie	1



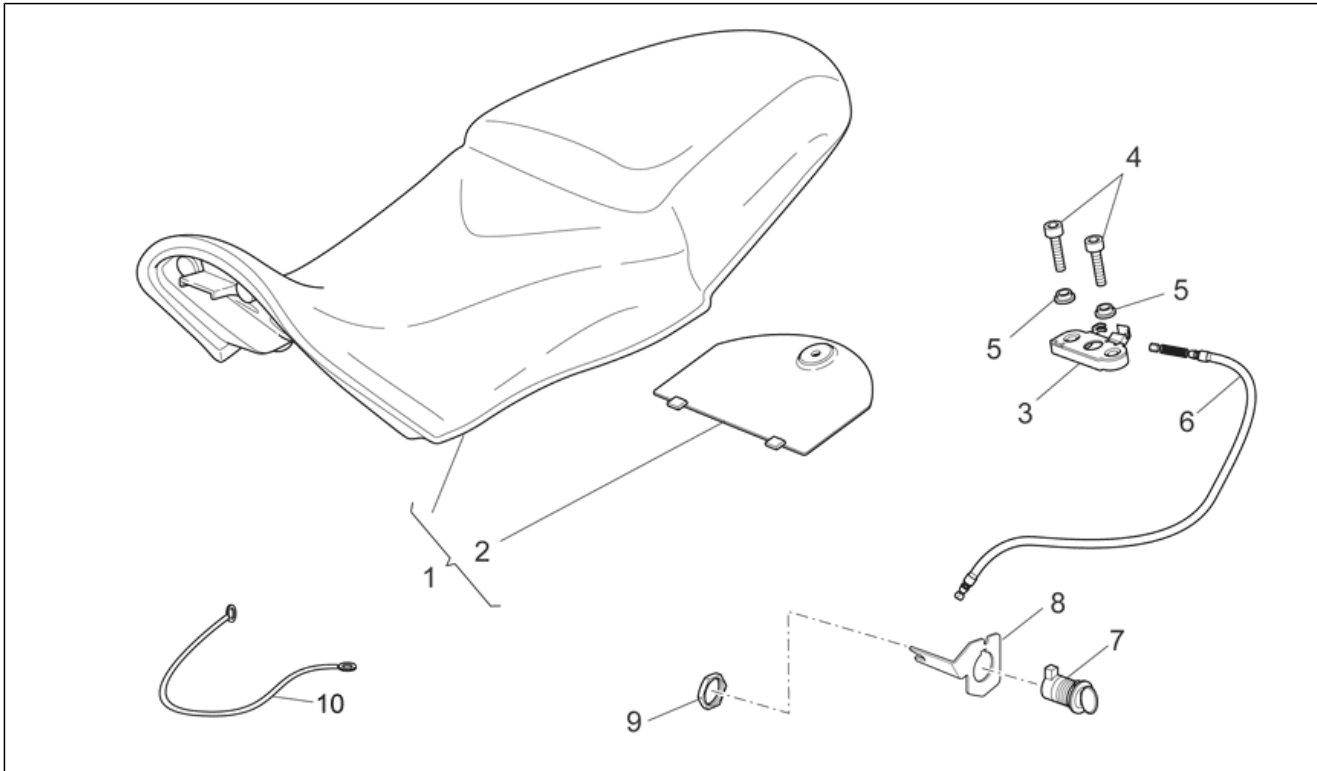
Pos.	Code	Beschrijving	Aant.	Varianten
1	88797300YN1	Kanaal re v.zwart	1	Kleur van het voertuig: Black Devil[b/d] Technical Specifications: Decalcato[D]
1	97840400BM	Kanaal re wit	1	Kleur van het voertuig: Diamond Light 2007[d/wh] Technical Specifications: Decalcato[D]
1	97840400Y01	Kanaal re rood	1	Kleur van het voertuig: Guzzi Red 2007[r/red] Technical Specifications: Decalcato[D]
1	97840400Y02	Kanaal re zwart	1	Kleur van het voertuig: Guzzi Black 2007[g/bl] Technical Specifications: Decalcato[D]
1	97840400YV2	Kanaal re v.groen	1	Kleur van het voertuig: Tenni Green 2009 (s.t.883601)[t/gn] Technical Specifications: Decalcato[D]
2	AP8152302	Bolbout met binnenzeskant, geflenst M5x12	8	
3	GU93231605	Huls antitrilling	2	
4	AP8220162	Rubbetje	4	
5	GU06576800	Sluiting re	1	
6	AP8150413	Zelftap. bout 3,9x14	6	
7	GU06576900	Sluiting li	1	
8	GU06729800	Bescherming centrale	1	
9	AP8102375	Clip m5	2	
10	88797400YN1	Kanaal li v.zwart	1	Kleur van het voertuig: Black Devil[b/d] Technical Specifications: Decalcato[D]
10	97840500BM	Kanaal li v.wit	1	Kleur van het voertuig: Diamond Light 2007[d/wh] Technical Specifications: Decalcato[D]
10	97840500Y01	Kanaal li rood	1	Kleur van het voertuig: Guzzi Red 2007[r/red] Technical Specifications: Decalcato[D]
10	97840500Y02	Kanaal li zwart	1	Kleur van het voertuig: Guzzi Black 2007[g/bl] Technical Specifications: Decalcato[D]
10	97840500YV2	Kanaal li v.groen	1	Kleur van het voertuig: Tenni Green 2009 (s.t.883601)[t/gn] Technical Specifications: Decalcato[D]
11	GU06783600	Bescherming	1	

Groep	FRAME
Code	33.15
Beschrijving	Front mudguard
Revisie	1



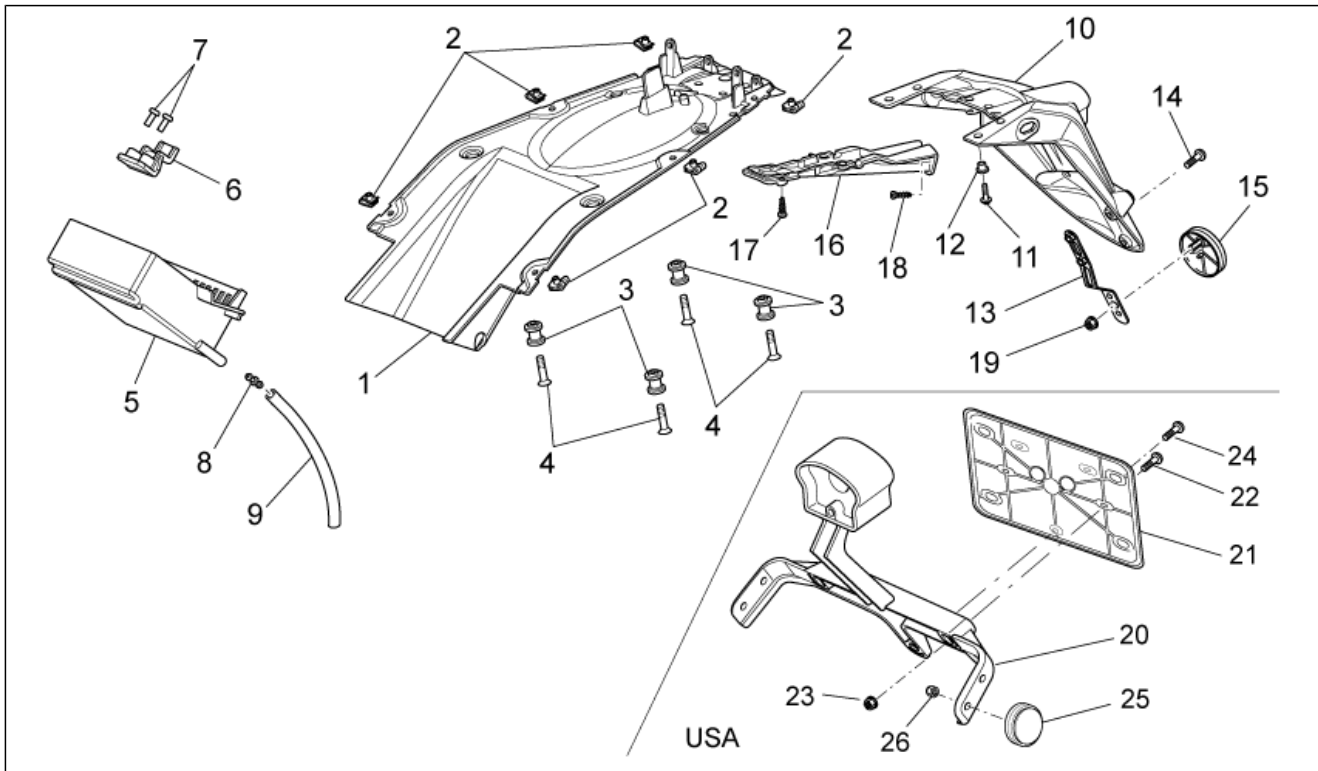
Pos.	Code	Beschrijving	Aant.	Varianten
1	GU06434300	Spatbord voor.ruw	1	
1	GU0643430000BM	Spatbord voor.wit	1	Kleur van het voertuig: Diamond Light 2007[d/wh]
1	GU0643430000YN1	Spatbord voor.zwart	1	Kleur van het voertuig: Black Devil[b/d] Technical Specifications: Nuova distribuzione a rullini[ND]
1	GU0643430000YV2	Spatbord voor.groen	1	Kleur van het voertuig: Tenni Green 2009 (s.t.883601)[t/gn]
1	GU06434301	Spatbord voor.zwart	1	Kleur van het voertuig: Guzzi Black 2007[g/bl]
1	GU06434302	Spatbord voor.rood	1	Kleur van het voertuig: Guzzi Red 2007[r/red]
2	AP8152339	Bolbout met binnenzeskant, geflenst M5x9	4	

Groep	FRAME
Code	33.16
Beschrijving	Saddle
Revisie	1



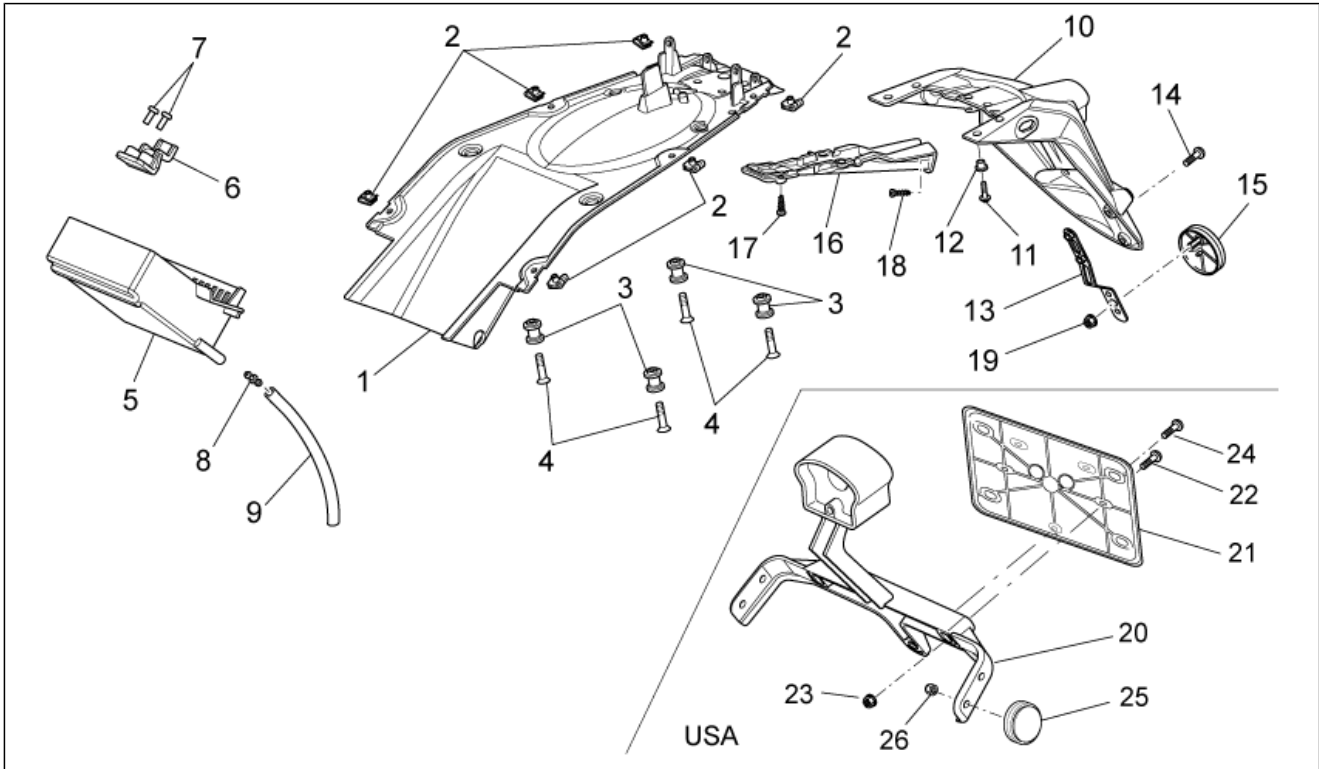
Pos.	Code	Beschrijving	Aant.	Varianten
1	883606	Zadel	1	Bouwjaar: 2010[A], 2011[B] Technical Specifications: Versione Special Edition[SE]
1	887976	Zadel	1	Bouwjaar: 2012[C] Kleur van het voertuig: Black Devil[b/d] Technical Specifications: Versione Special Edition[SE]
1	978239	Zadel	1	Technical Specifications: Standard version[std]
2	GU06479600	Deurtje	1	
3	AP8102913	Koppelingsplaat zadel pass.	1	
4	GU98370625	Bolbout met binnenzeskant	2	
5	AP8152299	Zelfborg.bout gefl. M6	2	
6	GU06462100	Kabel slot zadel	1	
7	GU05466830	Zadelslot	1	
8	AP8134948	Plaatje	1	
9	AP8102523	Moer slot	1	
10	AP8102502	Kabel koppeling helm	1	

Groep	FRAME
Code	33.17
Beschrijving	Rear body - Mudguard
Revisie	1



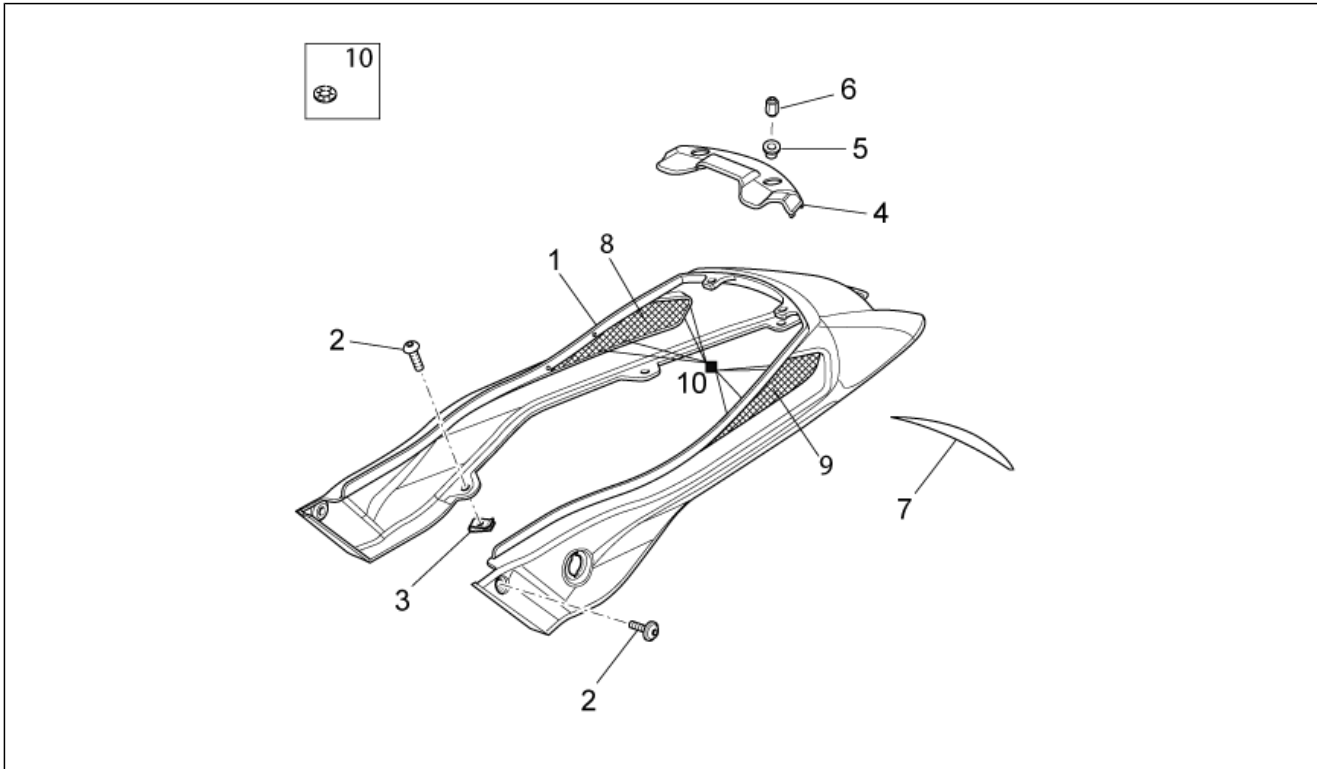
Pos.	Code	Beschrijving	Aant.	Varianten
1	GU06438700	Spatbordjes	1	
2	AP8102375	Clip m5	6	
3	GU06467300	Kolommetje	4	
4	GU98250835	Bout	4	
5	GU06704800	Accukast	1	
6	GU06418600	Bevestigingsplaat accu	1	
7	AP8150377	Bout	2	
8	GU06704700	Verbinding	1	
9	AP8220263	Ontluchttingsbuis 4x8	1	
10	GU06438600	Nummerplaathouder	1	
11	GU98680222	Binnenzeskantbout	6	
12	AP8121929	'T'-vormige huls 6,5x8,6x9	6	
13	AP8134448	Houder reflector	1	
14	AP8152268	Speciale bolbout met binnenzeskant M5x16	2	
15	AP8224164	Reflector rood	1	
16	GU06439200	Versterking	1	
17	AP8150413	Zelftap. bout 3,9x14	2	
18	AP8150420	Zelftap.bout.voor plast.inox *	1	
19	AP8152306	Zelfborg.bout gefl. m5	1	
20	977421	Steun van de nummerplaathouder	1	LAND:Canadian[CA], United States of America[USA] Technical Specifications:Standard version[std]
21	AP8149034	Steun van de nummerplaat	1	LAND:Canadian[CA], United States of America[USA] Technical Specifications:Standard version[std]
22	GU98223530	Bout	2	LAND:Canadian[CA], United States of America[USA] Technical Specifications:Standard version[std]
23	GU92650035	Moer geflenst	2	LAND:Canadian[CA], United States of America[USA] Technical Specifications:Standard version[std]
24	AP8152270	Bolbout met binnenzeskant	1	LAND:Canadian[CA], United States of America[USA] Technical Specifications:Standard version[std]

Groep	FRAME
Code	33.17
Beschrijving	Rear body - Mudguard
Revisie	1



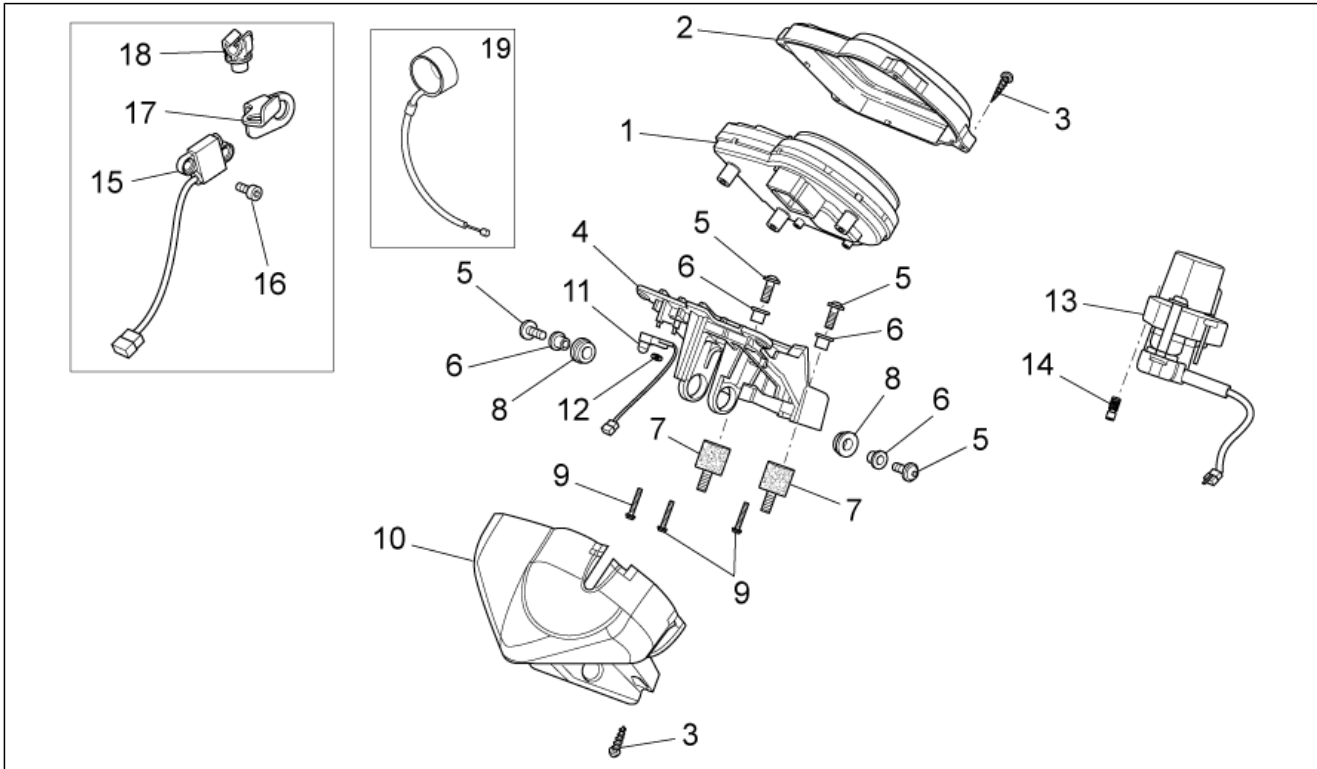
Pos.	Code	Beschrijving	Aant.	Varianten
25	AP8224164	Reflector rood	1	LAND:Canadian[CA], United States of America[USA] Technical Specifications:Standard version[std]
26	AP8152306	Zelfborg.bout gefl. m5	2	LAND:Canadian[CA], United States of America[USA] Technical Specifications:Standard version[std]

Groep	FRAME
Code	33.18
Beschrijving	Rear body - Rear fairing
Revisie	1



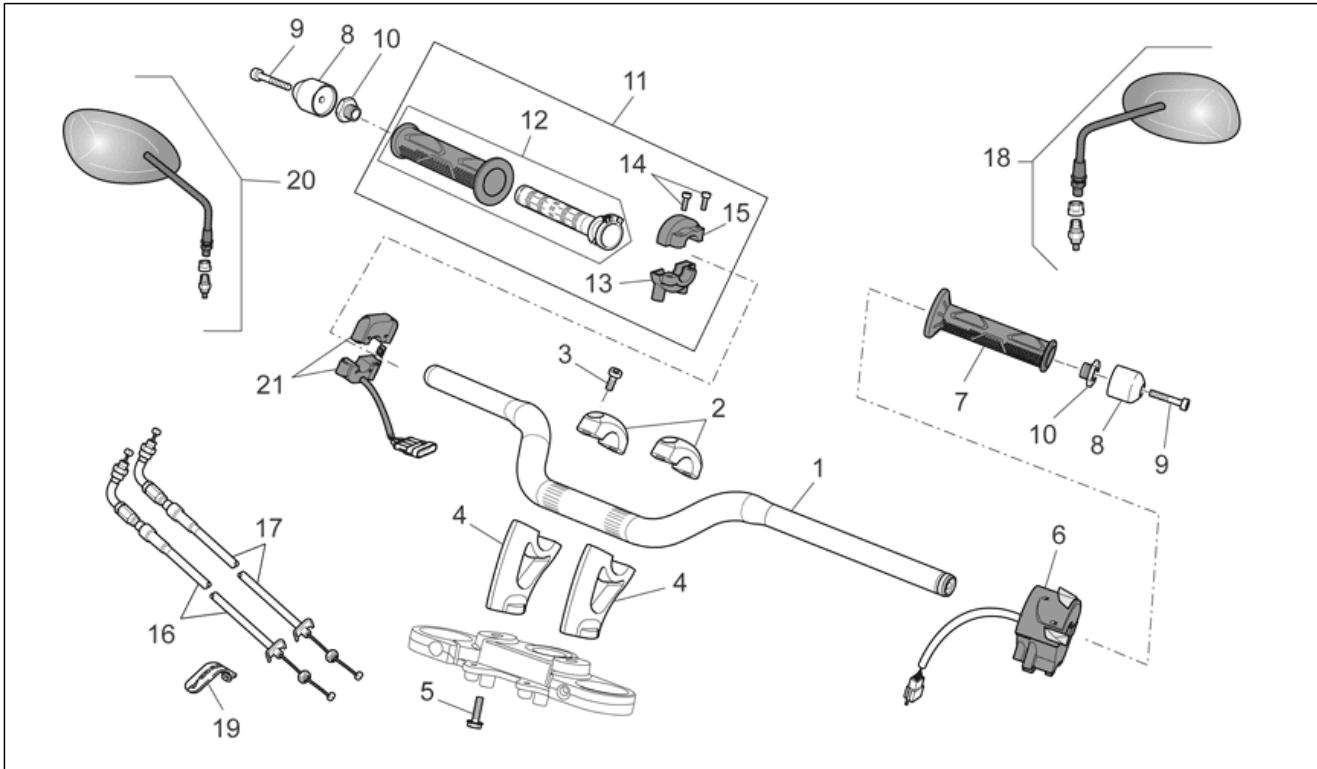
Pos.	Code	Beschrijving	Aant.	Varianten
1	88797500YN1	Eindstuk acht.zwart	1	Kleur van het voertuig: Black Devil[b/d] Technical Specifications: Decalcato[D]
1	GU0657310000BM	Eindstuk acht. wit	1	Kleur van het voertuig: Diamond Light 2007[d/wh] Technical Specifications: Decalcato[D]
1	GU0657310000Y01	Eindstuk acht. rood	1	Kleur van het voertuig: Guzzi Red 2007[r/red] Technical Specifications: Decalcato[D]
1	GU0657310000Y02	Eindstuk acht.zwart	1	Kleur van het voertuig: Guzzi Black 2007[g/bl] Technical Specifications: Decalcato[D]
1	GU0657310000YV2	Eindstuk acht.groen	1	Kleur van het voertuig: Tenni Green 2009 (s.t.883601)[t/gn] Technical Specifications: Decalcato[D]
2	AP8152302	Bolbout met binnenzeskant, geflenst M5x12	8	
3	AP8102375	Clip m5	6	
4	GU06573300	Sluiting	1	
5	AP8121929	'T'-vormige huls 6,5x8,6x9	2	
6	GU06469200	Afstandhouder	2	
7	GU06741200	Spons	1	
8	GU06571500	Net re	1	
9	GU06571600	Net li	1	
10	AP8150450	Sluitring voor assen D5	1	

Groep	FRAME
Code	33.19
Beschrijving	Dashboard
Revisie	1



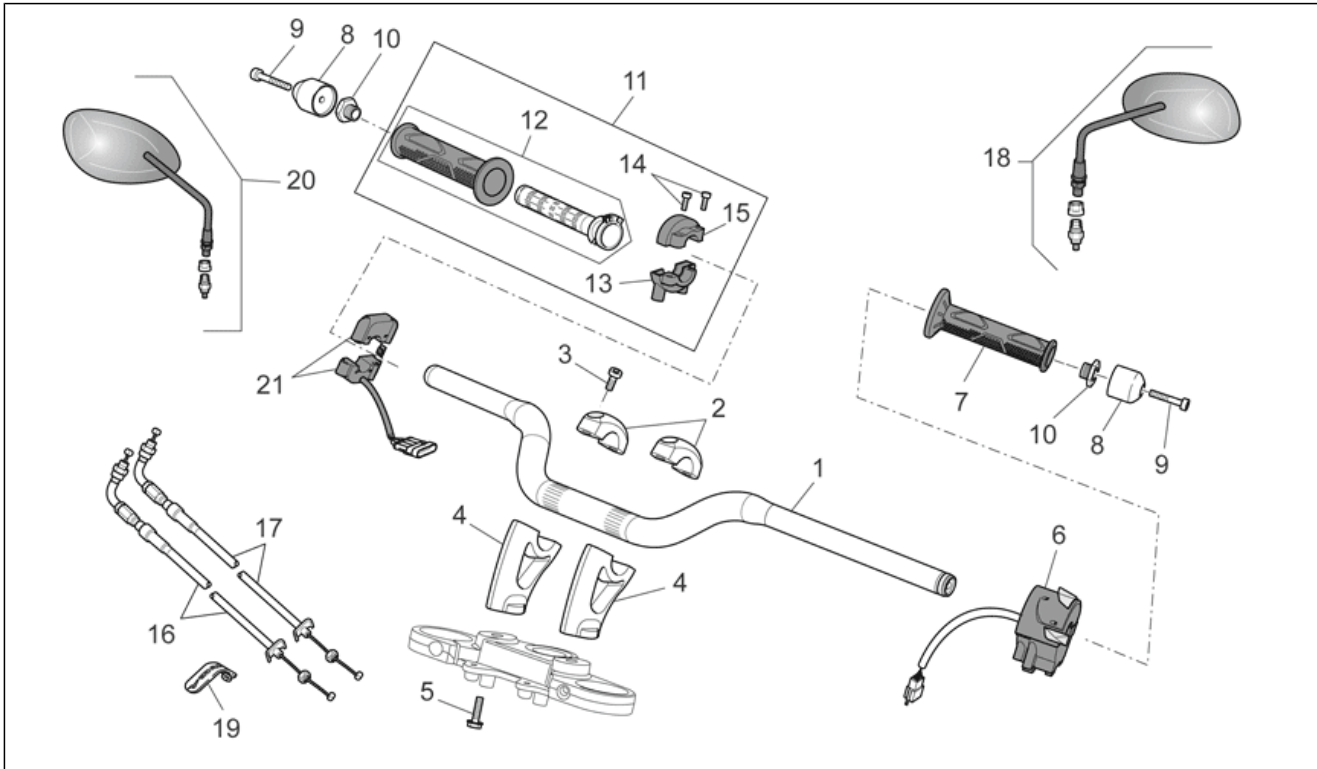
Pos.	Code	Beschrijving	Aant.	Varianten
1	883340	Dashboard cpl.	1	
2	GU06765100	Omlijsting instrum. verchr.	1	
3	AP8221242	Speciale zelftap.bout 3,5x20	7	
4	GU06764000	Steun dashboard	1	
5	GU98210616	Bolbout met binnenzeskant, geflenst M6x16 inox	4	
6	AP8121795	'T'-vormige huls *	4	
7	GU93222023	Silent-block	2	
8	AP8220228	Rubbetje *	2	
9	AP8150509	Zelftap. bout 5x14	3	
10	883627	Bedekking ond.dashboard verchr.	1	Technical Specifications: Versione Special Edition[SE]
10	GU06765200	Bedekking ond.dashboard verchr.	1	Technical Specifications: Standard version[std]
11	AP8124936	Sensor luchttemperatuur	1	
12	GU90274002	Sluitering voor assen	2	
13	GU06782500	Starblokje-blokk.	1	
14	GU97260435	Bout	2	
15	GU06765400	Sensor snelheidsmeter cpl.	1	
16	AP8152043	Binnenzeskantbout M4x10	2	
17	GU06765500	Kabelwartel	1	
18	AP8121882	Kabelgeleider	1	
19	981160	***LEFT FRONT AND RIGHT REAR FLASHER	0	

Groep	FRAME
Code	33.20
Beschrijving	Handlebar - Controls
Revisie	1



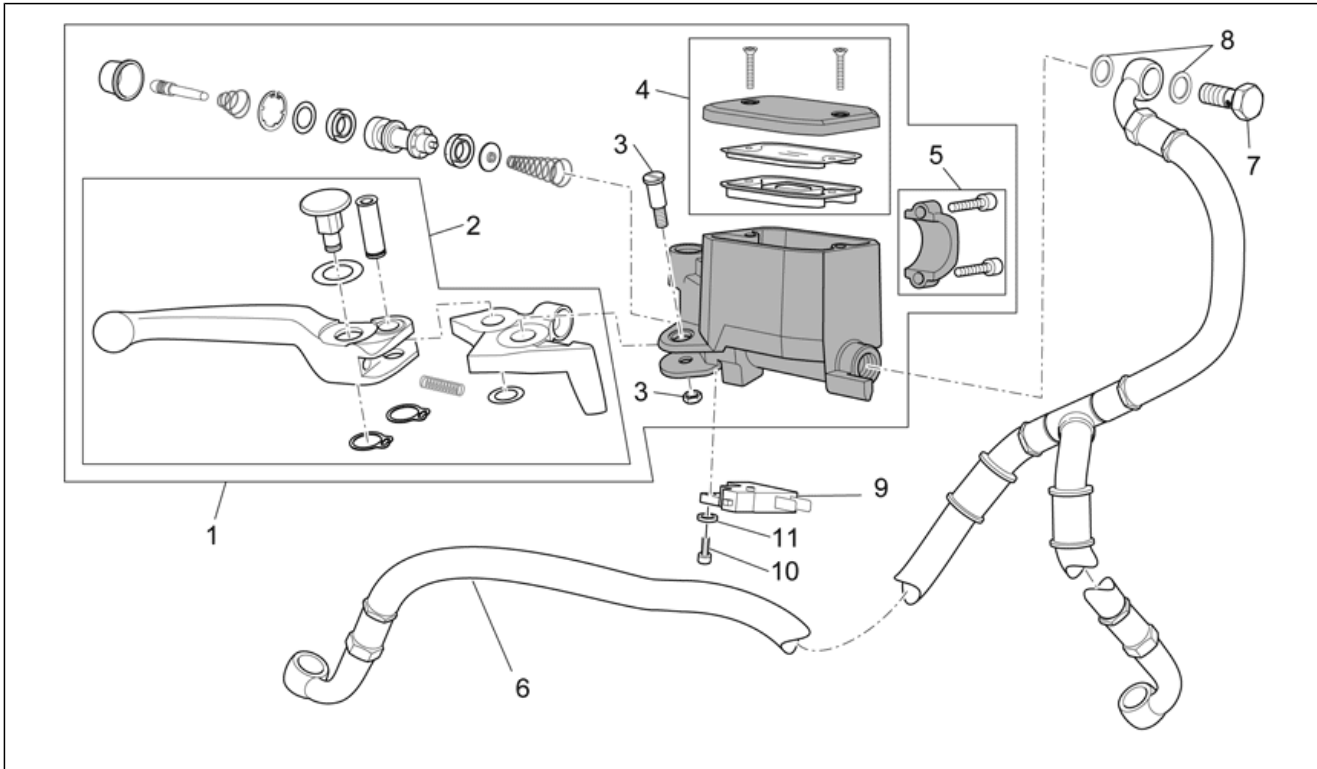
Pos.	Code	Beschrijving	Aant.	Varianten
1	978204	Stuur	1	
2	GU06500600	Standaard bov.	2	
3	GU98700430	Bout tcc M8x30	4	
4	GU06500200	Beugel ond.	2	
5	AP8152325	Zeskantbout geflenst	2	
6	AP8127703	Schak.lichten li	1	
7	AP8118579	Handvat li	1	
8	GU32602860	Antitrilgewicht v.cromo	2	
9	GU98680340	Binnenzeskantbout M6x40	2	
10	AP8121520	Terminal antitrilgewicht	2	
11	GU05603331	Gascommando cpl.	1	
12	GU01603480	Handvat re	1	
13	AP8118502	Beugel voor.gascommando	1	
14	AP8118492	Bout schroefasmoer	2	
15	AP8118503	Beugel acht.gascommando	1	
16	978743	Kabel opening gas	1	
17	978744	Kabel sluiting gas	1	
18	883802	Achteruitkijkspiegel re/li	1	Bouwjaar: 2007[7], 2008[8], 2009[9] Kleur van het voertuig: marcato "FU E11 81R-001047"[B] Technical Specifications: Standard version[std]
18	978570	Achteruitkijkspiegel re/li	1	Bouwjaar: 2007[7], 2008[8], 2009[9] Kleur van het voertuig: marked "FAR"[A] Technical Specifications: Standard version[std]
18	AP8104922	Achteruitkijkspiegel li	1	Technical Specifications: Versione Special Edition[SE]
18	AP8104922	Achteruitkijkspiegel li	1	Bouwjaar: 2010[A]
19	GU01609630	Klemmetje L46 mm	4	
19	GU03609600	Klemmetje L36 mm	1	
20	883802	Achteruitkijkspiegel re/li	1	Bouwjaar: 2007[7], 2008[8], 2009[9] Kleur van het voertuig: marcato "FU E11 81R-001047"[B] Technical Specifications: Standard version[std]

Groep	FRAME
Code	33.20
Beschrijving	Handlebar - Controls
Revisie	1



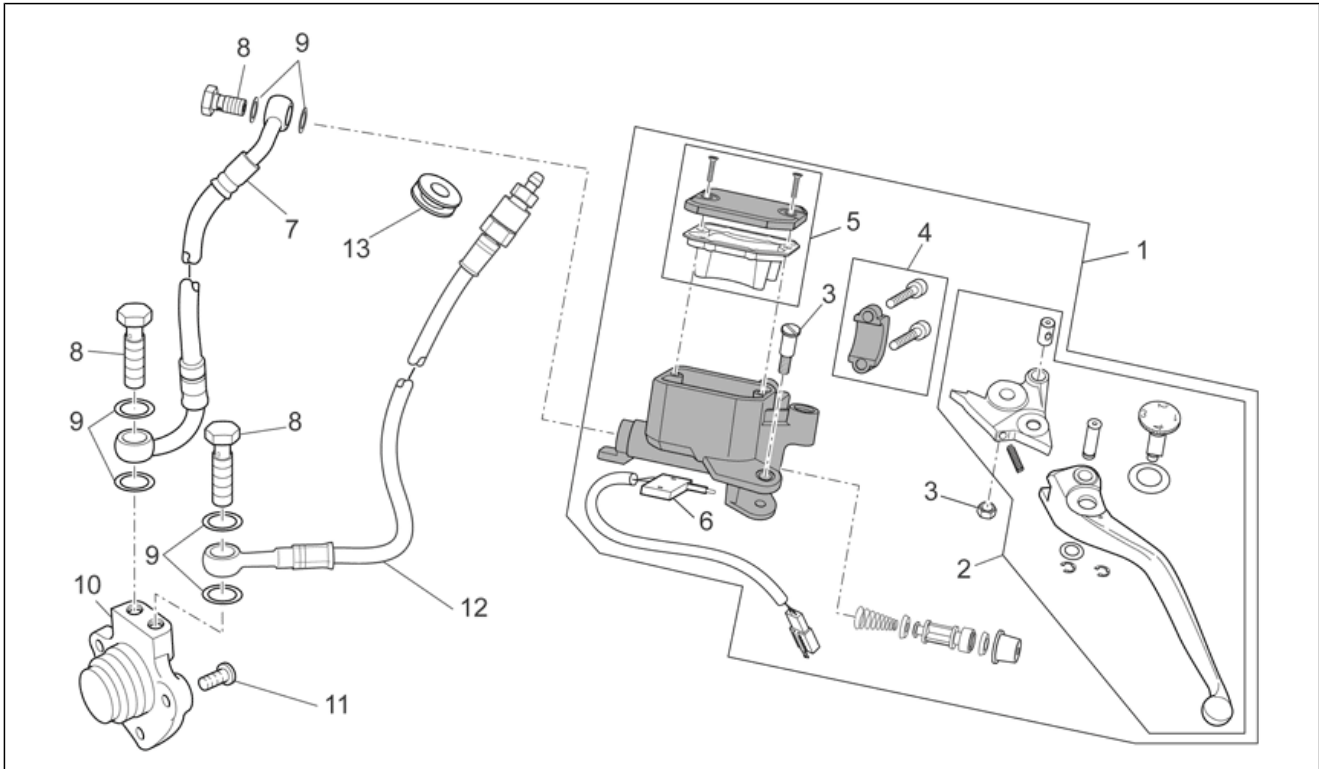
Pos.	Code	Beschrijving	Aant.	Varianten
20	978570	Achteruitkijkspiegel re/li	1	Bouwjaar: 2007[7], 2008[8], 2009[9] Kleur van het voertuig: marked "FAR"[A] Technical Specifications: Standard version[std]
20	AP8104921	Achteruitkijkspiegel re	1	Technical Specifications: Versione Special Edition[SE]
20	AP8104921	Achteruitkijkspiegel re	1	Bouwjaar: 2010[A]
21	B045021	Schak.lichten re	1	

Groep	FRAME
Code	33.21
Beschrijving	Front master cilinder
Revisie	1



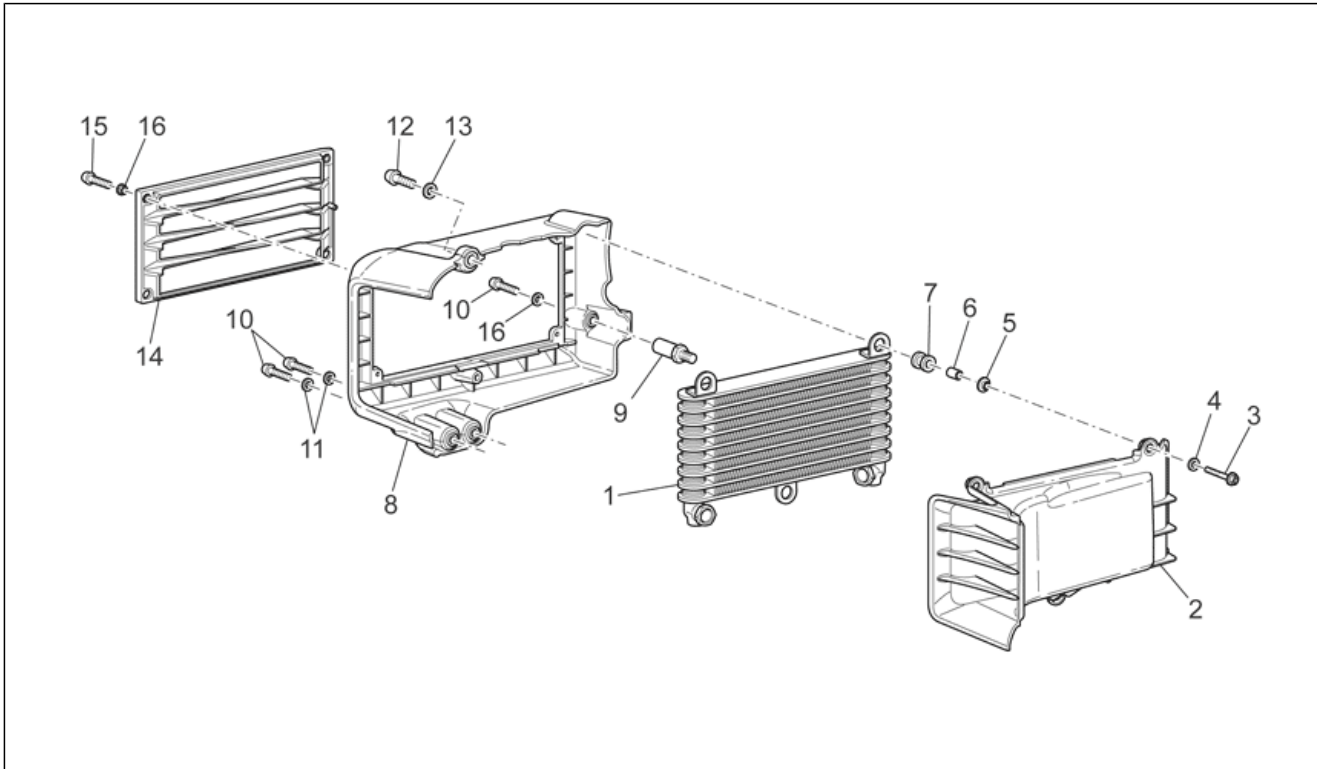
Pos.	Code	Beschrijving	Aant.	Varianten
1	978606	Pomp voorrem	1	
2	854603	Hendel voorrem.	1	Technical Specifications: First series[1A], Ghiera regolazione leva color oro[GL]
2	981050	Hendel voorrem.	1	Technical Specifications: Second series[2A], Ghiera regolazione leva color argento[SL]
3	AP8113995	Pin hendel	1	
4	GU05661130	Tankdop	1	
5	AP8113993	Beugel	1	
6	978400	Leiding voorrem	1	
7	AP8133962	Bout olieleiding *	1	
8	GU25656100	Pakking in aluminium	2	
9	GU03749845	Stopschakelaar	1	
10	GU98370412	Bolbout met binnenzeskant M4x12	1	
11	GU95021104	Sluitering 4,3x8x1,5	1	

Groep	FRAME
Code	33.22
Beschrijving	Clutch control complete
Revisie	1



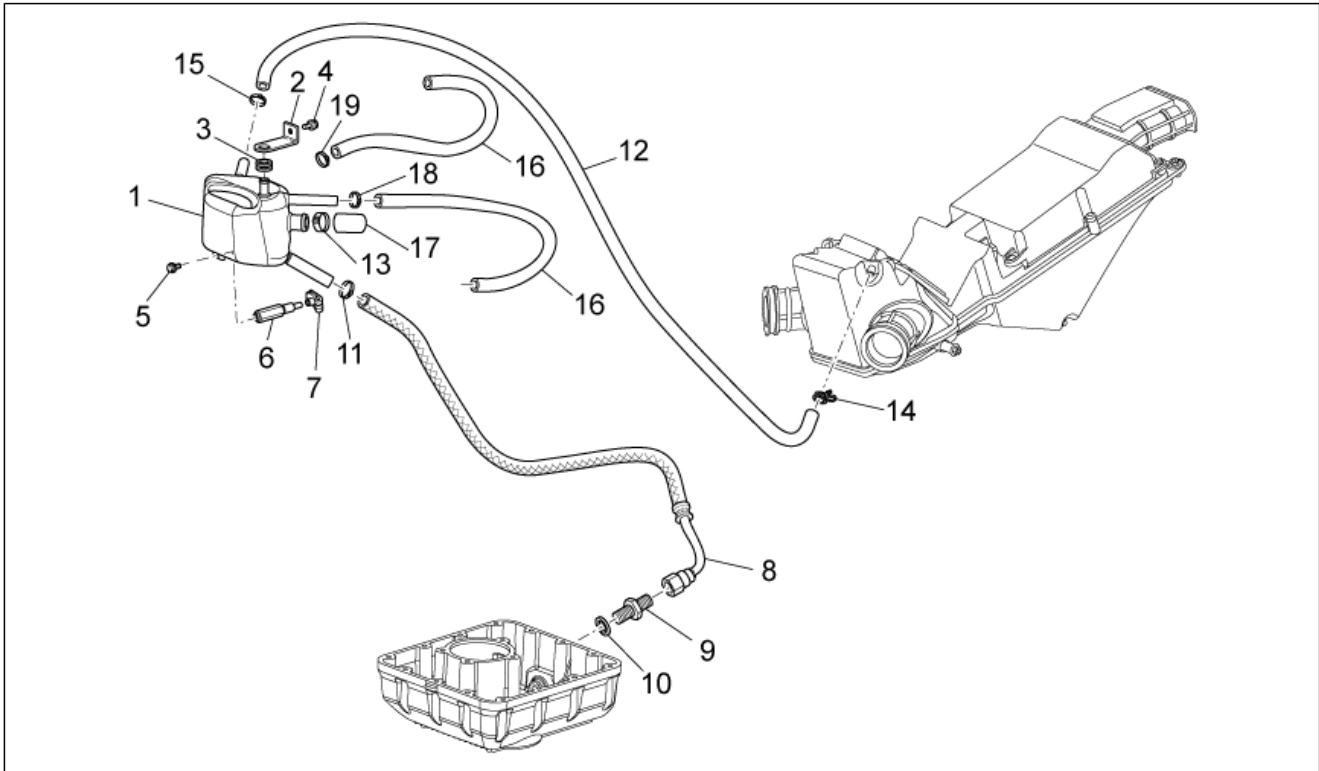
Pos.	Code	Beschrijving	Aant.	Varianten
1	978607	Pomp koppeling	1	Technical Specifications: Second series[2A], Ghiera regolazione leva color argento[SL]
1	AP8106713	Pomp koppeling	1	Technical Specifications: First series[1A], Ghiera regolazione leva color oro[GL]
2	981046	Koppelingshendel	1	Technical Specifications: Second series[2A], Ghiera regolazione leva color argento[SL]
2	AP8118659	Koppelingshendel	1	Technical Specifications: First series[1A], Ghiera regolazione leva color oro[GL]
3	GU03604845	Pin hendel	1	
4	AP8113993	Beugel	1	
5	AP8113997	Tankdop	1	
6	AP8113998	Microschakelaar	1	
7	GU06606500	Buis koppeling	1	
8	AP8133594	Bout olieleiding	3	
9	AP8113004	Sluitring 10x14x1,6*	6	
10	978739	Cilinder comando koppeling	1	
11	AP8152278	Zeskantbout geflenst M6x16	3	
12	GU05606630	Buis ontl. koppeling	1	
13	AP8120594	Rubbertje	1	

Groep	FRAME
Code	33.23
Beschrijving	Oil cooler
Revisie	1



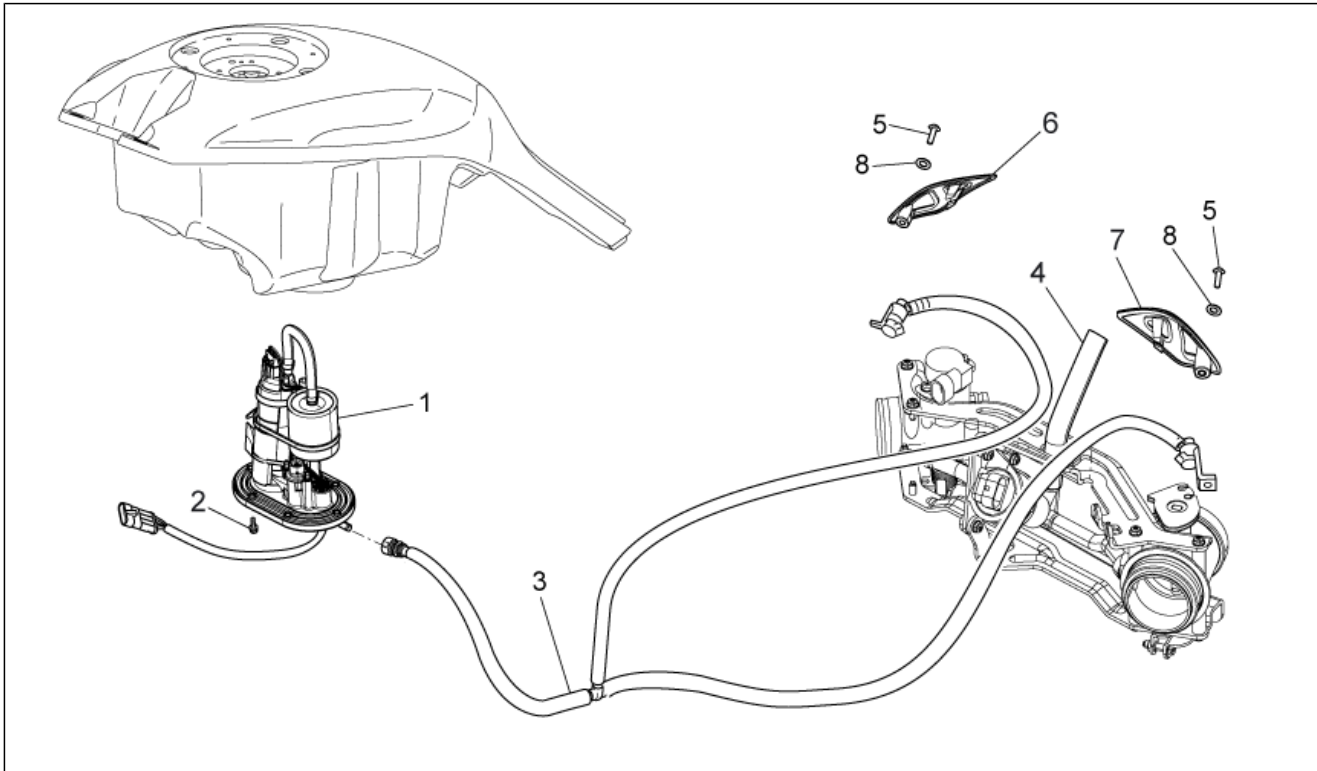
Pos.	Code	Beschrijving	Aant.	Varianten
1	GU06162000	Radiator olie cpl.	1	
2	GU06583200	Luchtkanaal	1	
3	AP8152281	Zeskantbout geflenst M6x30	3	
4	GU95005306	Sluitring 6,4x13x1,5	3	
5	AP8121032	Huls	3	
6	GU91180711	Afstandhouder 7x10x11	3	
7	AP8120030	Rubbetje	3	
8	GU06583000	Bedekking	1	
9	GU06583600	Afstandhouder	1	
10	GU98690440	Bout	3	
11	GU14615901	Sluitring 8,4X13X0,8	3	
12	GU98690540	Bout tcc M10x30	1	
13	GU19149800	Sluitring 10,5x16x1	1	
14	GU06582600	Rooster radiator	1	
15	GU98230512	Bolbout met binnenzeskant	4	
16	AP8121811	'T'-vormige huls	4	

Groep	FRAME
Code	33.24
Beschrijving	Blow-by system
Revisie	1



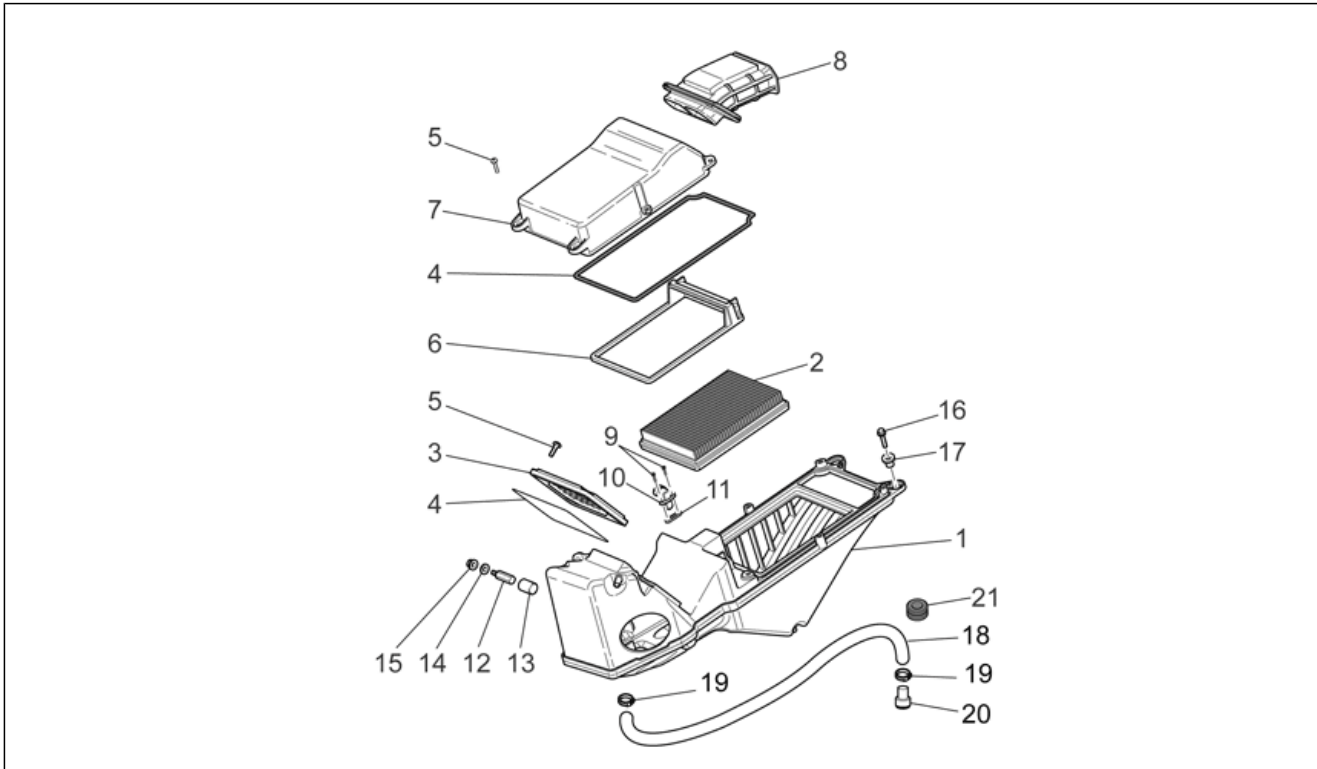
Pos.	Code	Beschrijving	Aant.	Varianten
1	978767	Expansievat	1	
2	GU06412300	Plaatje	1	
3	AP8120030	Rubbertje	1	
4	AP8152278	Zeskantbout geflenst M6x16	1	
5	AP8152277	Zeskantbout geflenst M6x12	1	
6	GU06164630	Afstandhouder	1	
7	GU28576591	Clip M6	1	
8	GU06159300	Buis circul.	1	
9	GU01161331	Reductie	1	
10	GU01154230	Pakking in aluminium	1	
11	AP8102765	Klikband wit D.13,5x6	1	
12	GU00823955080	Ontluchttingsbuis	1	
13	GU93306018	Klemmetje 17X29X8	1	
14	AP8102520	Klembandje buis	1	
15	AP8102764	Klikband wit d.13x6	1	
16	978765	Ontluchttingsbuis	2	
17	978781	Schroefasmoer	1	
18	GU93306017	Klemmetje	1	
19	AP8101586	Klikband D.15,5x6,6	1	

Groep	FRAME
Code	33.25
Beschrijving	Fuel supply
Revisie	1



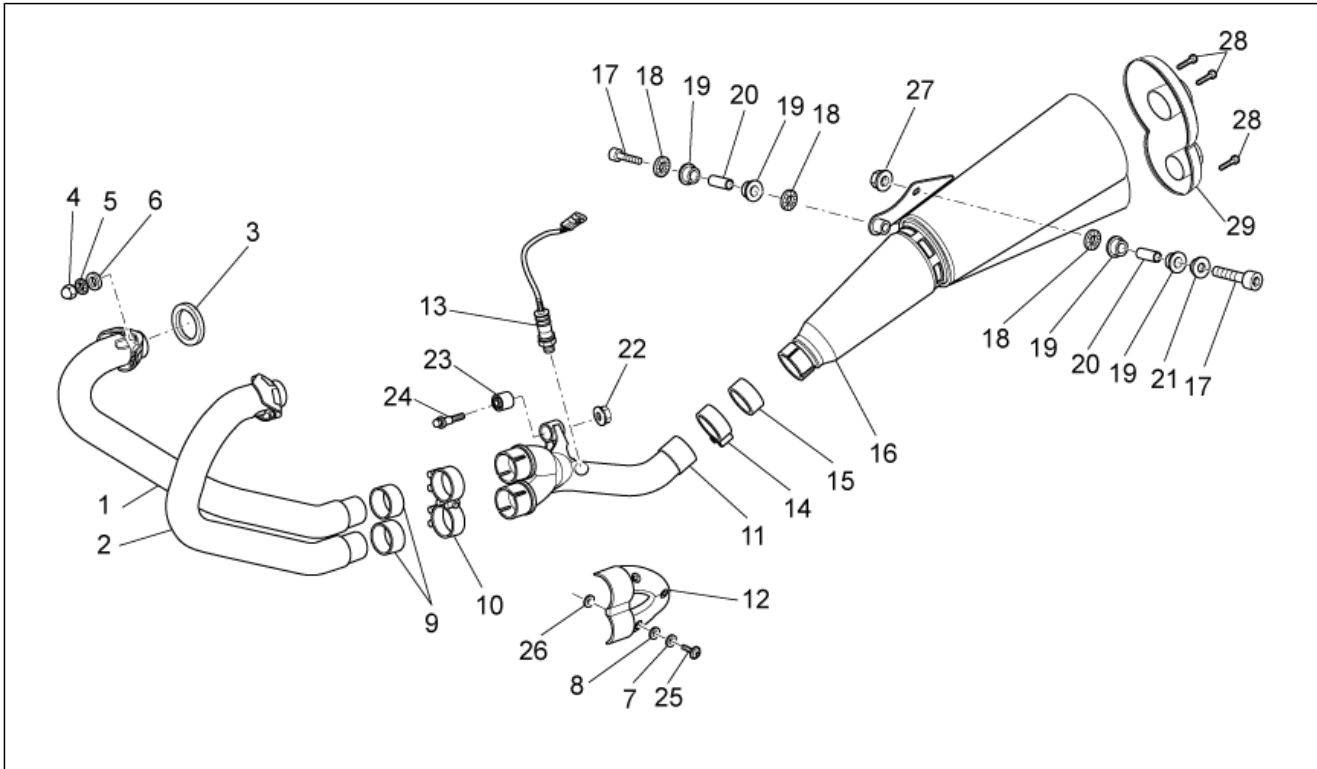
Pos.	Code	Beschrijving	Aant.	Varianten
1	887423	Fuel pump	1	LAND:Other country[EU]
1	887771	Fuel pump	1	LAND:United States of America[USA]
2	AP8152273	Geflenste bout	6	
3	978745	Benzineleiding cpl	1	
4	GU05135930	Buis	1	
5	GU98680222	Binnenkantbout	2	
6	883092	Bescherming re	1	
7	883093	Bescherming li	1	
8	GU95008205	Sluitring 5,3x10x0,8	1	

Groep	FRAME
Code	33.26
Beschrijving	Air box
Revisie	1



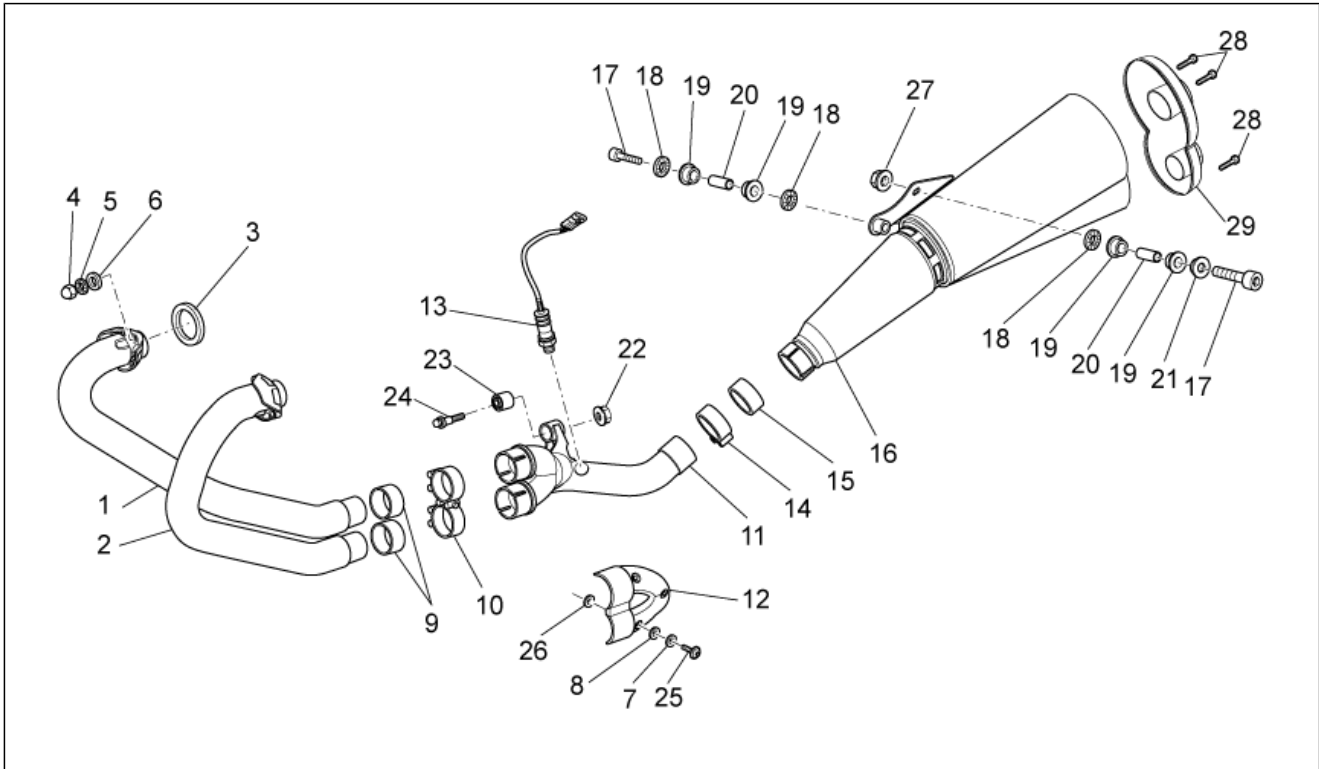
Pos.	Code	Beschrijving	Aant.	Varianten
1	GU06114000	Filterkast	1	
2	AP8104329	Luchtfilter	1	
3	GU06113300	Bedekking inspectie	1	
4	AP8120593	Pakking D4	1	
5	AP8152329	Bout SWP kruiskop gefl. M5x20	10	
6	GU06114200	Wand	1	
7	GU06113700	Bedekking	1	
8	AP8144164	Aanzuigingsmof	1	
9	AP8150421	Zelftap. bout 2,9x12	2	
10	GU30729330	Sensor luchttemperatuur	1	
11	GU30027931	Pakking	1	
12	AP8221270	Pin st.filterkast	2	
13	AP8220526	Rubbetje	2	
14	GU03013800	Sluitring 6,4x12	2	
15	GU92787006	Moer blind M6x1	2	
16	AP8152279	Zeskantbout geflenst M6x20	2	
17	AP8221023	'T'-vormige huls *	2	
18	AP8144038	Benzineleiding 6x10	2	
19	AP8101595	Klemmetje D10,1*	4	
20	AP8120876	Sluitdop	2	
21	AP8120030	Rubbetje	2	

Groep	FRAME
Code	33.27
Beschrijving	Exhaust unit
Revisie	1



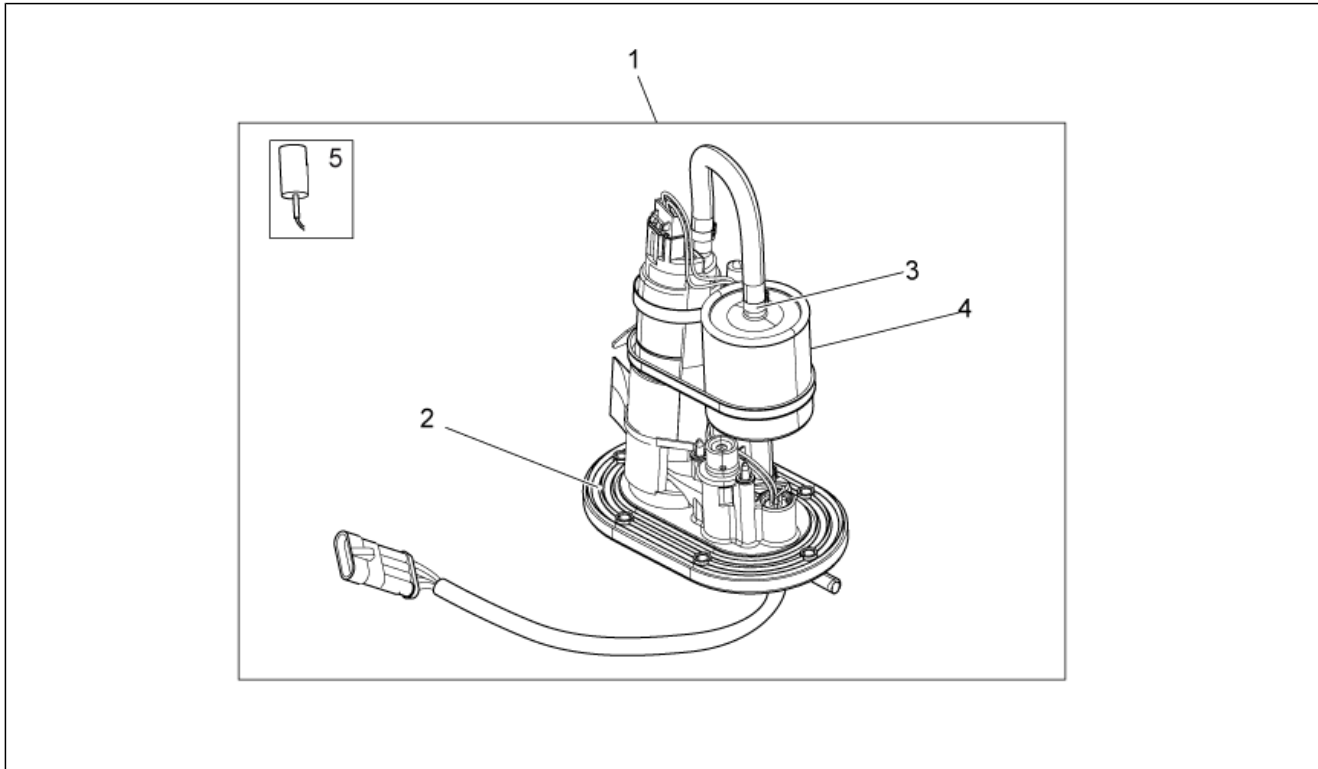
Pos.	Code	Beschrijving	Aant.	Varianten
1	883874	Buis afvoer re	1	LAND:Japan[J]
1	978396	Buis afvoer re	1	LAND:Other country[EU]
2	883875	Buis uitlaat li	1	Bouwjaar:2010[A] LAND:Japan[J]
2	978397	Buis uitlaat li	1	Bouwjaar:2007[7], 2008[8], 2009[9]
3	976376	Pakking	2	
4	GU92787008	Moer blind M8x1,25	4	
5	GU14615901	Sluitring 8,4X13X0,8	4	
6	GU95005308	Sluitring 8,4x14,57x1,6	4	
7	GU03013800	Sluitring 6,4x12	3	
8	GU91120620	Afstandhouder	3	
9	GU06123500	Pakking	2	
10	GU06123401	Klemmetje	1	
11	978885	Leiding uitl.cent.	1	Technical Specifications:Versione Special Edition[SE]
11	GU06124800	Leiding uitl.cent.	1	Technical Specifications:Standard version[std]
12	GU06121900	Hittewer. besch.	1	
13	GU32727010	Lambdasonde	1	
14	GU06126900	Klemmetje	1	
15	GU05128230	Pakking	1	
16	883909	Geluiddemper	1	Bouwjaar:2010[A] LAND:Japan[J]
16	978242	Geluiddemper	1	Bouwjaar:2007[7], 2008[8], 2009[9]
17	GU98680445	Binnenzeskantbout	2	
18	GU95005312	Sluitring 8,5x24x2	3	
19	AP8144071	Rubbertje uitlaat	4	
20	AP8121773	Afstandhouder *	2	
21	AP8134378	Huls bevestiging geluiddemper	1	
22	AP8152301	Zelfborg.bout gefl.	1	

Groep	FRAME
Code	33.27
Beschrijving	Exhaust unit
Revisie	1



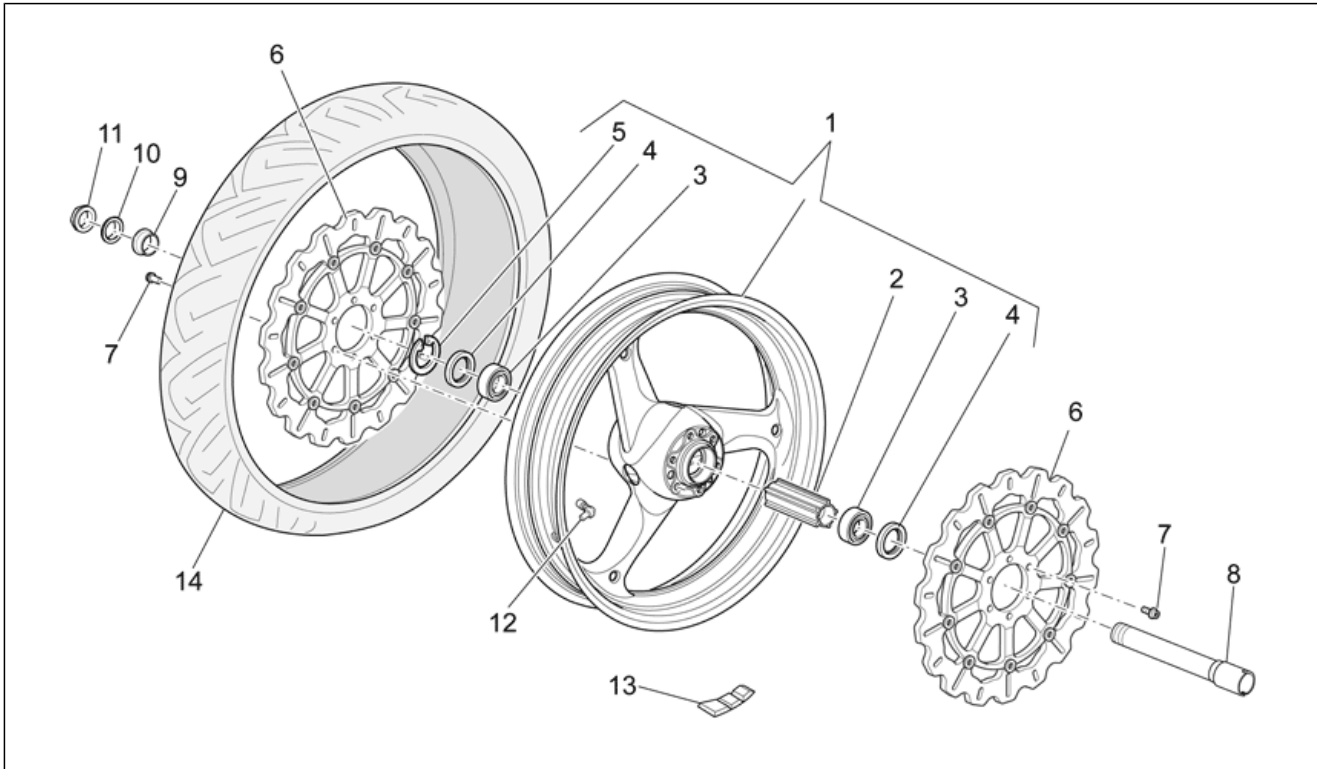
Pos.	Code	Beschrijving	Aant.	Varianten
23	AP8220346	Silent-block	1	
24	AP8152410	Zeskantbout geflenst M10x55	1	
25	GU98370609	Bolbout met binnenzeskant M6x10	3	
26	AP8121513	Sluitring 5,5X20X1	3	
27	GU92650138	Moer M8x1,25	1	
28	981143	Sec. screw	3	
29	981142	Onderzijde	1	

Groep	FRAME
Code	33.28
Beschrijving	Internal fuel pump
Revisie	1



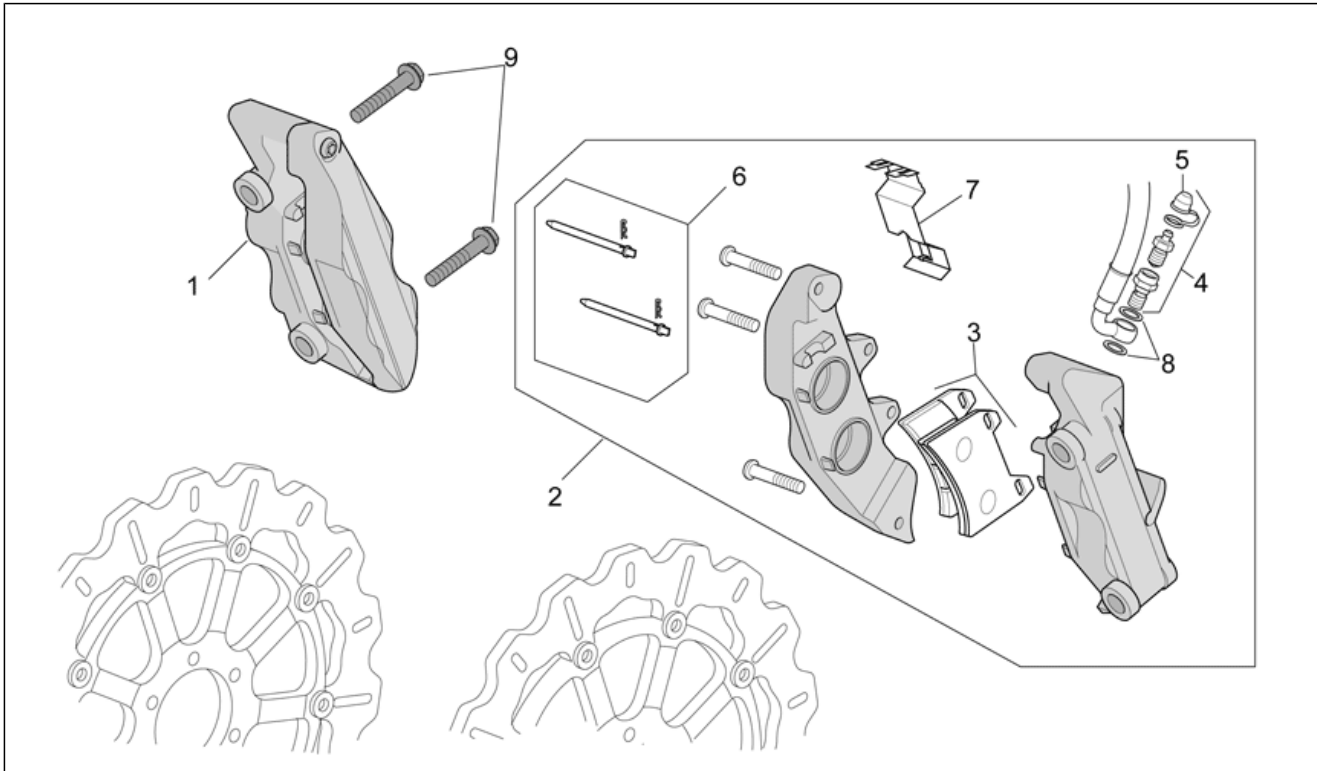
Pos.	Code	Beschrijving	Aant.	Varianten
1	887423	Fuel pump	1	LAND:Other country[EU]
1	887771	Fuel pump	1	LAND:United States of America[USA]
2	GU05107430	Pakking flens	1	
3	GU01108490	Klemmetje 11,3	4	
4	GU01106090	Benzinefilter	1	
5	883851	Thermistor	1	

Groep	FRAME
Code	33.29
Beschrijving	SE Front wheel
Revisie	1



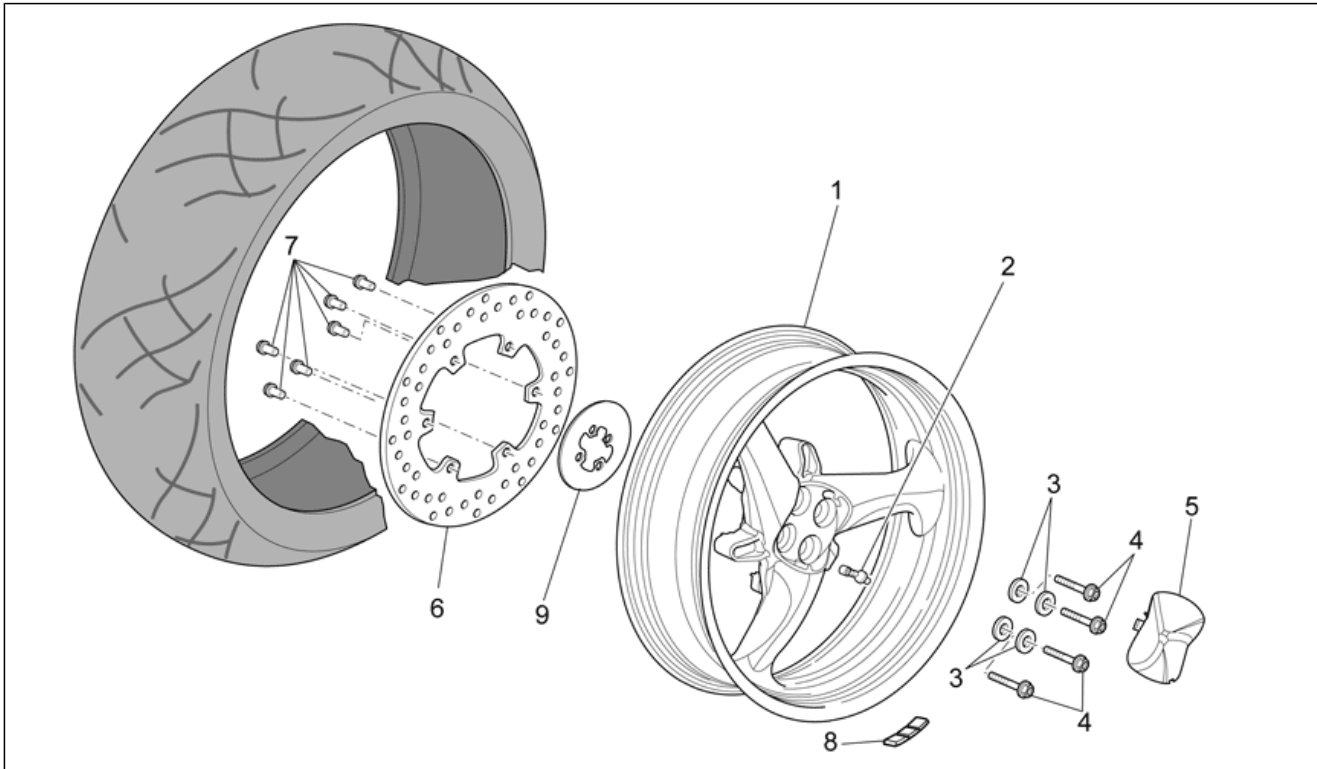
Pos.	Code	Beschrijving	Aant.	Varianten
1	883883	Voorwiel naked donkergrijs 3,5X17"	1	Technical Specifications: Standard version[std], Marchiato ZCV[ZCV]
1	GU05610530	Voorwiel naked donkergrijs 3,5x17"	1	Technical Specifications: Marchio Brembo[BRE], Standard version[std]
2	GU05615230	Afstandhouder lagere	1	Technical Specifications: Standard version[std]
3	AP8125777	Kogellager 25x47x12	2	Technical Specifications: Standard version[std]
4	AP8125773	Dichtingsring 30x47x7	2	Technical Specifications: Standard version[std]
5	AP8125779	Seegerring	1	Technical Specifications: Standard version[std]
6	856774	Remschijf voor	2	Technical Specifications: Standard version[std]
7	AP8152286	Zeskantbout geflenst M8x20	12	Technical Specifications: Standard version[std]
8	GU05614130	Pin voorwiel	1	Technical Specifications: Standard version[std]
9	GU06616300	Afstandhouder	1	Technical Specifications: Standard version[std]
10	GU95005325	Sluitring 25,2X36X1	1	Technical Specifications: Standard version[std]
11	GU01612190	Moer	1	Technical Specifications: Standard version[std]
12	GU03617710	Klep tubeless	1	Technical Specifications: Standard version[std]
13	GU14616150	Tegengewicht	1	Technical Specifications: Standard version[std]
14	0000000	Bedekking	0	

Groep	FRAME
Code	33.30
Beschrijving	Front brake caliper
Revisie	1



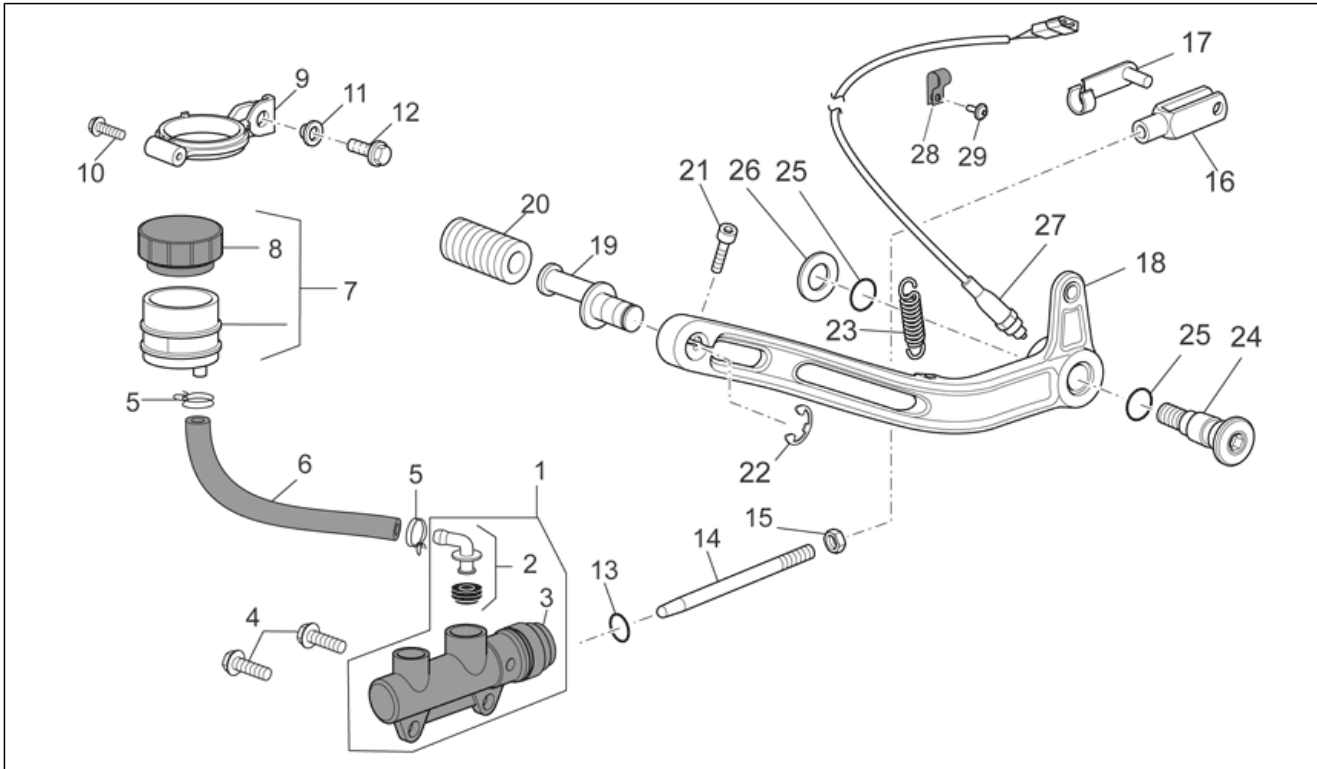
Pos.	Code	Beschrijving	Aant.	Varianten
1	978464	Tang voorrem re zwart P432	1	
2	978465	Tang voorrem li zwart P432	1	
3	GU01654630	Pastilles - koppel	2	
4	978466	Ontluchting	2	
5	AP8113070	Kapje ontluchting	1	
6	GU01659130	Pinnen+Veren tang	2	
7	GU01659131	Veer	2	
8	GU25656100	Pakking in aluminium	4	
9	AP8152414	Zeskantbout geflenst M10x55	4	

Groep	FRAME
Code	33.31
Beschrijving	Std Rear wheel
Revisie	1



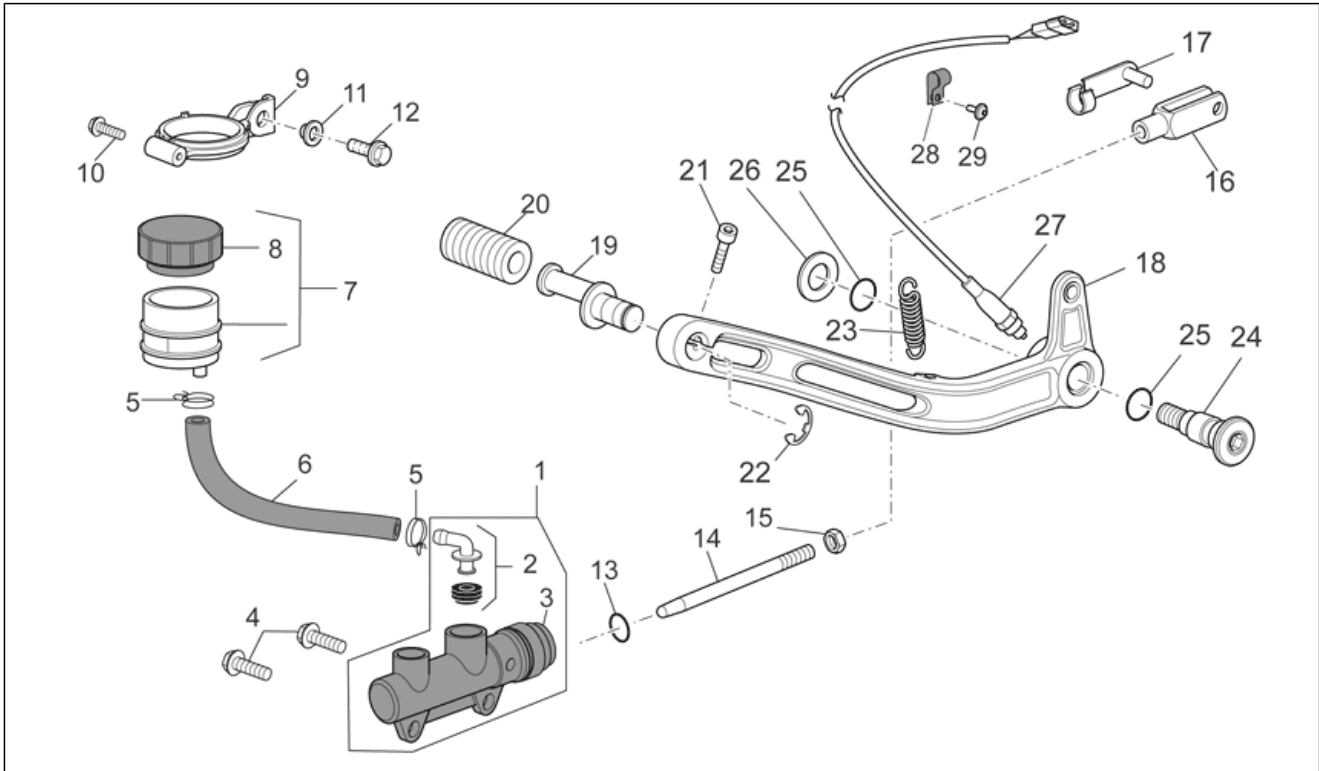
Pos.	Code	Beschrijving	Aant.	Varianten
1	883886	Achterwiel naked grijs 5,5X17"	1	Technical Specifications: Marchiato ZCV[ZCV]
1	GU05630531	Achterwiel naked grijs 5,5x17"	1	Technical Specifications: Marchio Brembo[BRE]
2	GU03617710	Klep tubeless	1	Technical Specifications: Standard version[std]
3	GU05632730	Conische huls	4	Technical Specifications: Standard version[std]
4	GU97202665	Zeskantbout geflenst M12x65	4	Technical Specifications: Standard version[std]
5	GU05634430	Bedekking	1	Technical Specifications: Standard version[std]
6	GU05635730	Remschijf acht.	1	Technical Specifications: Standard version[std]
7	GU30611460	Bout	6	Technical Specifications: Standard version[std]
8	GU14616150	Tegengewicht	1	Technical Specifications: Standard version[std]
9	977056	Stofkeerring	1	Technical Specifications: Standard version[std]

Groep	FRAME
Code	33.32
Beschrijving	Rear master cylinder
Revisie	1



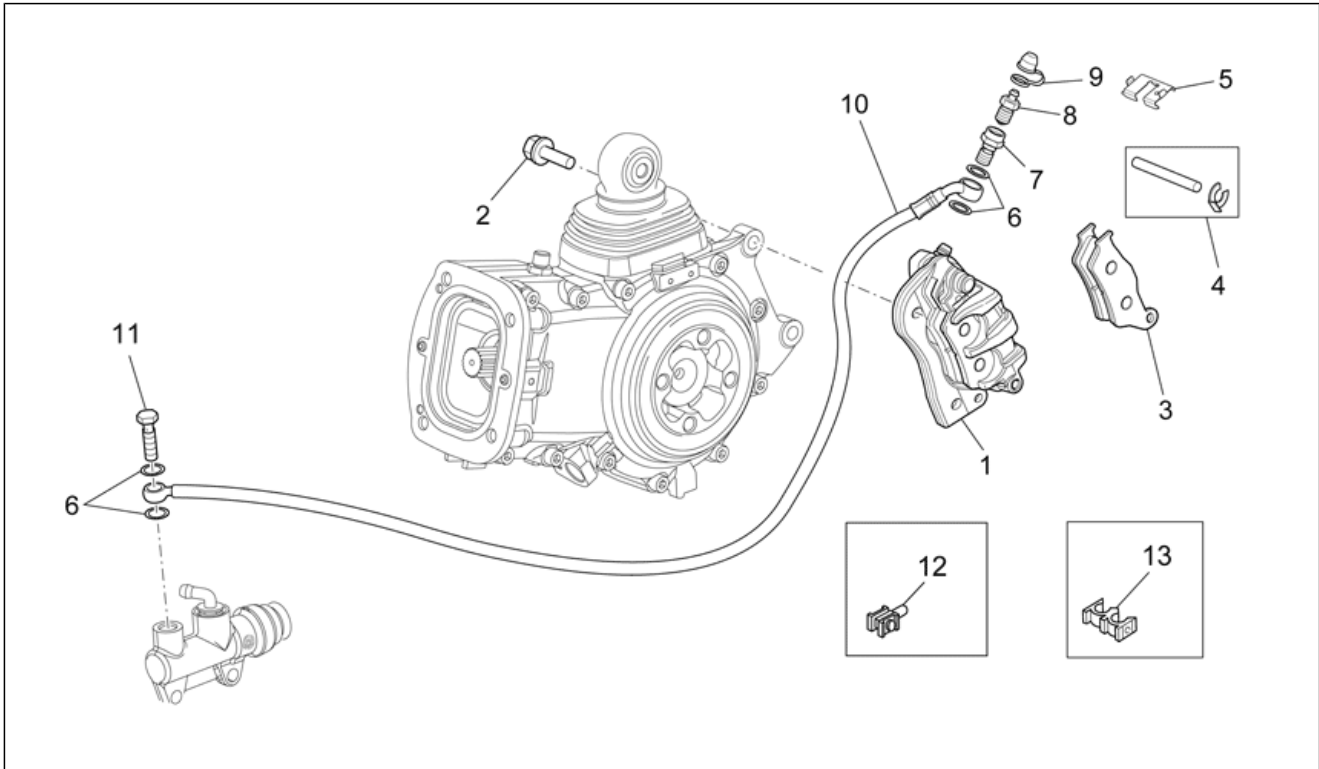
Pos.	Code	Beschrijving	Aant.	Varianten
1	978434	Pomp achterrem	1	
2	GU19659500	Kit verbinding pomp	1	
3	AP8113288	Blower van rubber	1	
4	AP8152279	Zeskantbout geflenst M6x20	2	
5	AP8101595	Klemmetje D10,1*	2	
6	GU00823950050	Olieleiding	1	
7	GU05663530	Oliereservoir remmen cpl.	1	
8	GU17661052	Tankdop	1	
9	GU05666030	Steun tank	1	
10	AP8152329	Bout SWP kruiskop gefl. M5x20	1	
11	AP8221145	'T'-vormige huls *	1	
12	AP8152278	Zeskantbout geflenst M6x16	1	
13	AP8120178	OR-ring OR112	1	
14	977041	StAAF pomp rem	1	
15	GU92606206	Moer	1	
16	AP8113081	Vork	1	
17	AP8113082	Clips voor vork versnellingsbak	1	
18	GU06677000	Hendel achterrem	1	
19	AP8121221	Pin remhendel	1	
20	AP8120912	Rubbetje voor hendel	1	
21	GU98682316	Binnenzeskantbout M6x16	1	
22	AP8150462	Seegerring d9	1	
23	AP8121927	Veer hendel achterrem	1	
24	884033	Pin hendel achterrem	1	
25	AP8144007	OR-ring 11,11x1,78	2	
26	GU95008310	Sluiring 10,5x22x2,5	1	
27	AP8112996	Interruttore frizione	1	
28	AP8101890	Band zwart D8	3	

Groep	FRAME
Code	33.32
Beschrijving	Rear master cylinder
Revisie	1



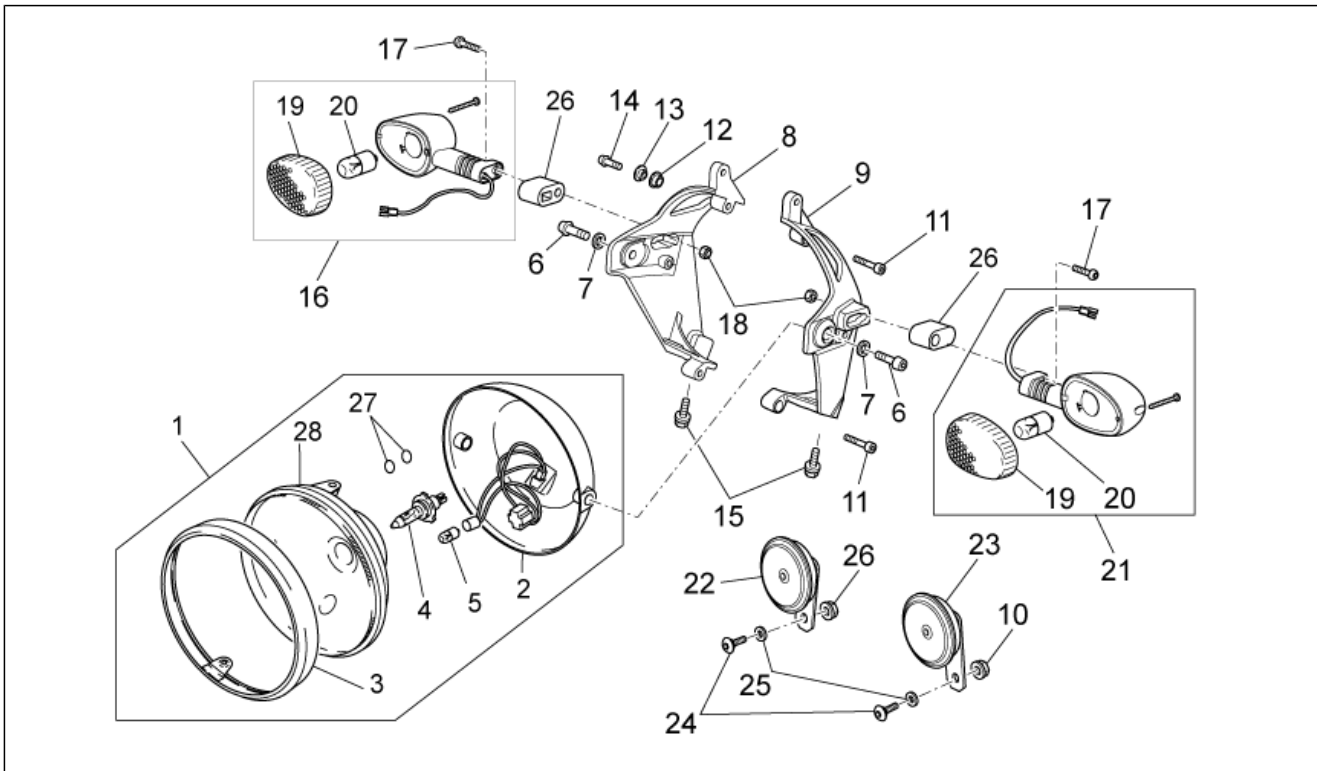
Pos.	Code	Beschrijving	Aant.	Varianten
29	GU98350210	Bolbout met binnenzeskant	3	

Groep	FRAME
Code	33.33
Beschrijving	Rear brake caliper
Revisie	1



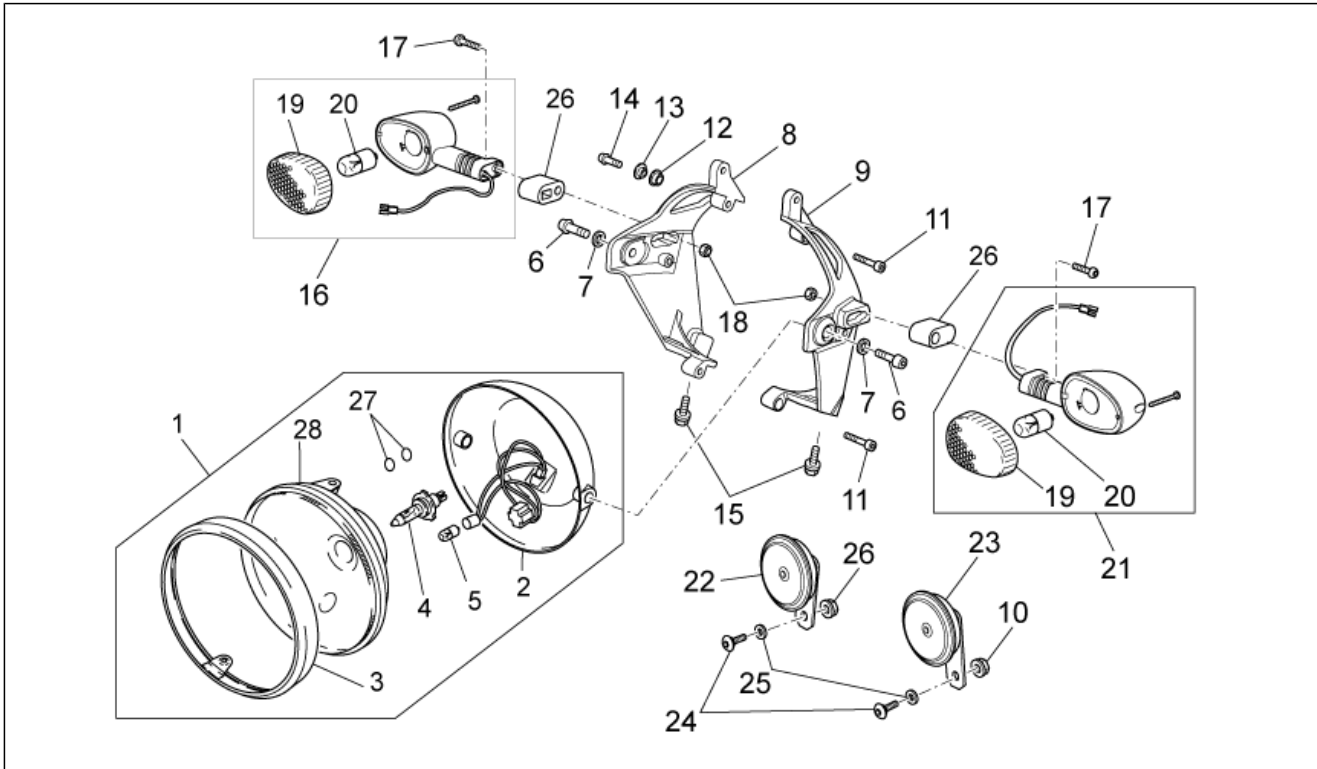
Pos.	Code	Beschrijving	Aant.	Varianten
1	978414	Tang achterrem zwart	1	
2	AP8152320	Zeskantbout geflenst	2	
3	GU05654630	Pastilles - koppel	1	
4	GU05659130	Pin+splitpen tang	1	
5	GU05659030	Veer	1	
6	AP8113004	Sluitring 10x14x1,6*	4	
7	AP8133597	Bout	1	
8	AP8133595	Ontluchting	1	
9	AP8113070	Kapje ontluchting	1	
10	978364	Buis achterrem	1	
11	AP8133962	Bout olieleiding *	1	
12	AP8202238	Verankering kabelgeleider	4	
13	AP8201808	Kabelgeleider D8	5	

Groep	FRAME
Code	33.34
Beschrijving	Headlight/Horn
Revisie	1



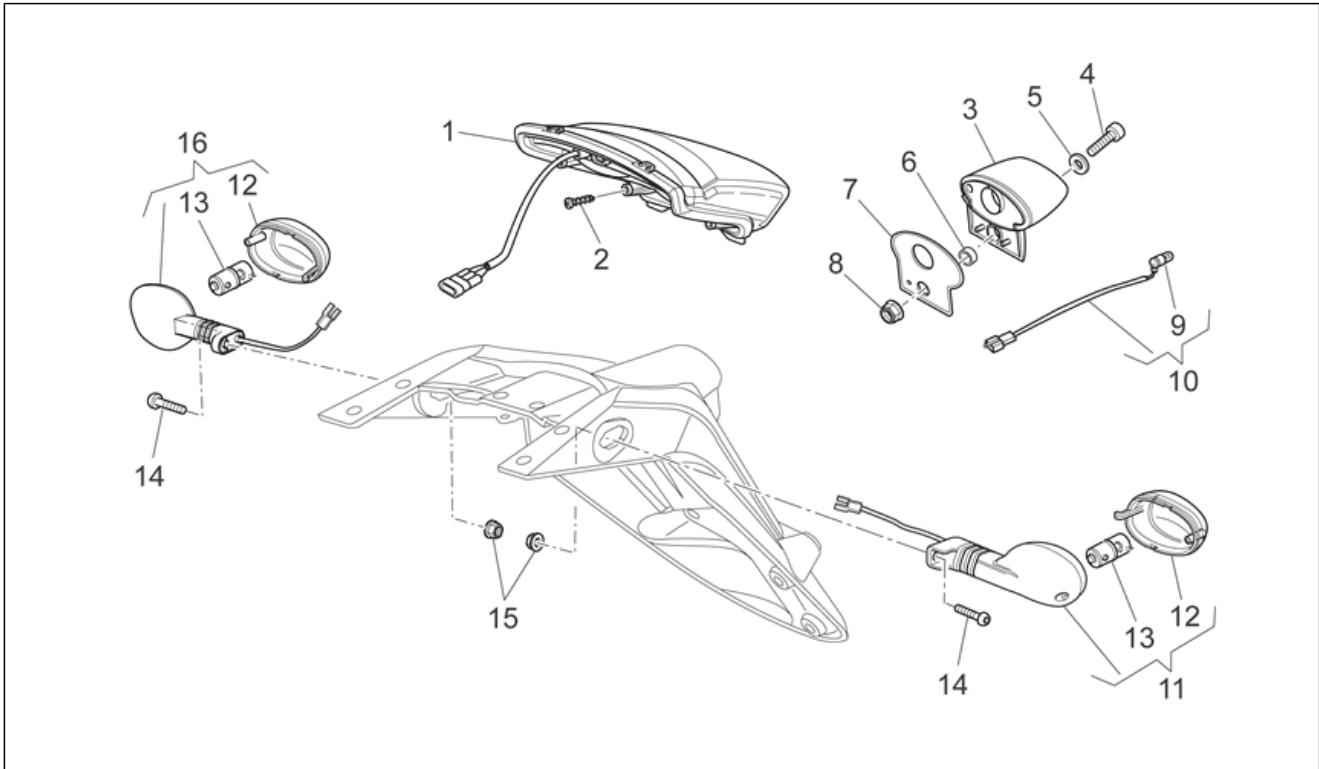
Pos.	Code	Beschrijving	Aant.	Varianten
1	978311	Voorlicht	1	LAND:Other country[EU] Technical Specifications:Versione Special Edition[SE]
1	978662	Voorlicht m/o geleider li	1	LAND:Australia[AUS], Great Britain[UK] Technical Specifications:Versione Special Edition[SE]
1	GU06740500	Voorlicht	1	LAND:Canadian[CA], Other country[EU], United States of America[USA] Technical Specifications:Standard version[std]
1	GU06740500	Voorlicht	1	Bouwjaar:2010[A] LAND:Australia[AUS], Japan[J], Great Britain[UK] Technical Specifications:Standard version[std]
1	GU06740501	Voorlicht m/o geleider li	1	Bouwjaar:2007[7], 2008[8], 2009[9] LAND:Australia[AUS], Japan[J], Great Britain[UK] Technical Specifications:Standard version[std]
2	981149	Cap, black	1	LAND:Other country[EU] Technical Specifications:Versione Special Edition[SE]
2	GU06740200	Kap verchr. voorlicht	1	Technical Specifications:Standard version[std]
2	GU06740200	Kap verchr. voorlicht	1	LAND:Great Britain[UK] Technical Specifications:Versione Special Edition[SE]
3	640598	Moer verchr.	1	
4	292723	Lamp H4 60/55W 12V	1	
5	292022	Lamp 12V-5W	1	
6	GU98700430	Bout tcc M8x30	2	
7	GU14615901	Sluitring 8,4X13X0,8	2	
8	GU06496100	Houder re	1	
9	GU06496200	Houder li	1	
10	GU92650138	Moer M8x1,25	2	
11	GU98610335	Binnenzeskantbout	2	
12	AP8221023	'T'-vormige huls *	1	
13	AP8120675	Rubbetje *	1	
14	GU98230619	Bolbout met binnenzeskant	1	
15	AP8152287	Zeskantbout geflenst M8x25	2	

Groep	FRAME
Code	33.34
Beschrijving	Headlight/Horn
Revisie	1



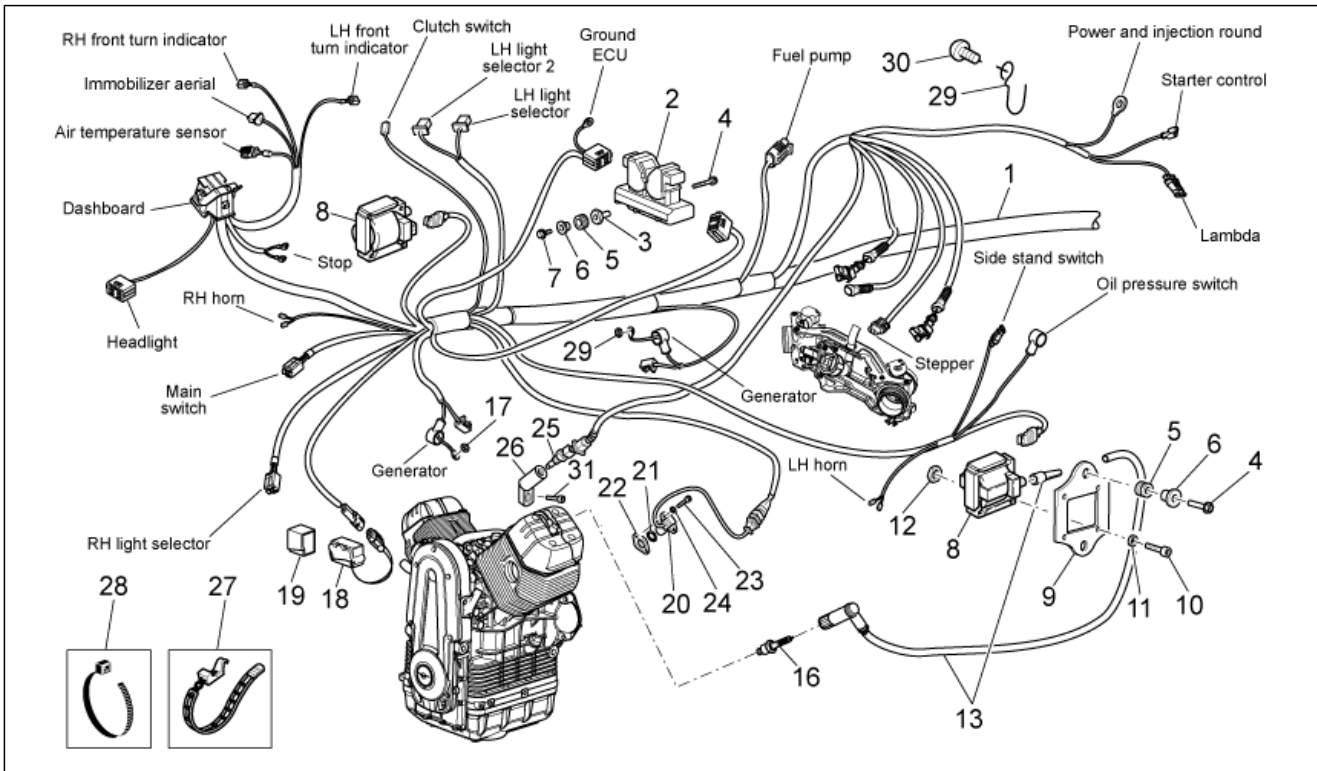
Pos.	Code	Beschrijving	Aant.	Varianten
16	GU06750600	Richt.aanw. voor.re/acht.li	1	
17	GU98690335	Binnenzeskantbout	2	
18	GU92787006	Moer blind M6x1	2	
19	GU06753700	Glas richtingaanw.	2	
20	GU93450127	Lamp	2	
21	GU06751601	Richt.aanw. voor.li/acht.re	1	
22	883463	Claxon acute toon L	1	
22	GU01743791	Claxon acute toon L	1	
23	883462	Claxon acute toon H	1	
23	GU01743790	Claxon acute toon H	1	
24	GU98350416	Bolbout met binnenzeskant M8x16	2	
25	GU95021108	Elastische sluitring	2	
26	GU01753440	Afstandhouder zwart	2	LAND:Canadian[CA], United States of America[USA] Technical Specifications:Standard version[std]
27	883417	OR-ring	2	
28	GU06740400	Optische groep	1	

Groep	FRAME
Code	33.35
Beschrijving	Taillight
Revisie	1



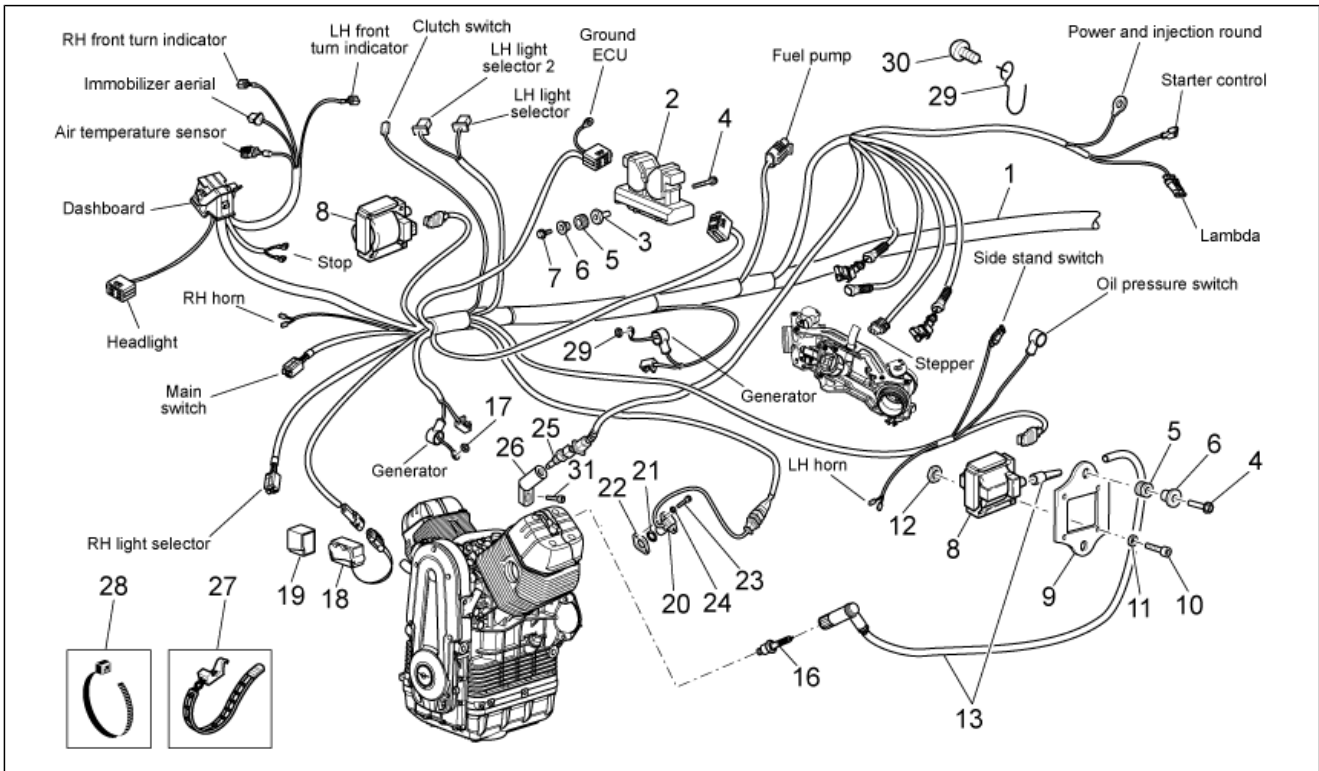
Pos.	Code	Beschrijving	Aant.	Varianten
1	GU06740900	Achterlicht	1	
2	AP8150509	Zelftap. bout 5x14	4	
3	AP8127098	Licht nummerplaat	1	
4	GU98680222	Binnenzeskantbout	1	
5	GU95008205	Sluitring 5,3x10x0,8	1	
6	GU91120507	Huls	1	
7	GU32474710	Rubber	1	
8	AP8152306	Zelfborg.bout gefl. m5	1	
9	292022	Lamp 12V-5W	1	
10	977795	Bekabeling nummerplaatlicht	1	
11	GU06750600	Richt.aanw. voor.re/acht.li	1	
12	GU06753700	Glas richtingaanw.	2	
13	GU93450127	Lamp	2	
14	GU98370619	Bolbout met binnenzeskant	2	
15	AP8152299	Zelfborg.bout gefl. M6	2	
16	GU06751601	Richt.aanw. voor.li/acht.re	1	

Groep	FRAME
Code	33.36
Beschrijving	Electrical system I
Revisie	1



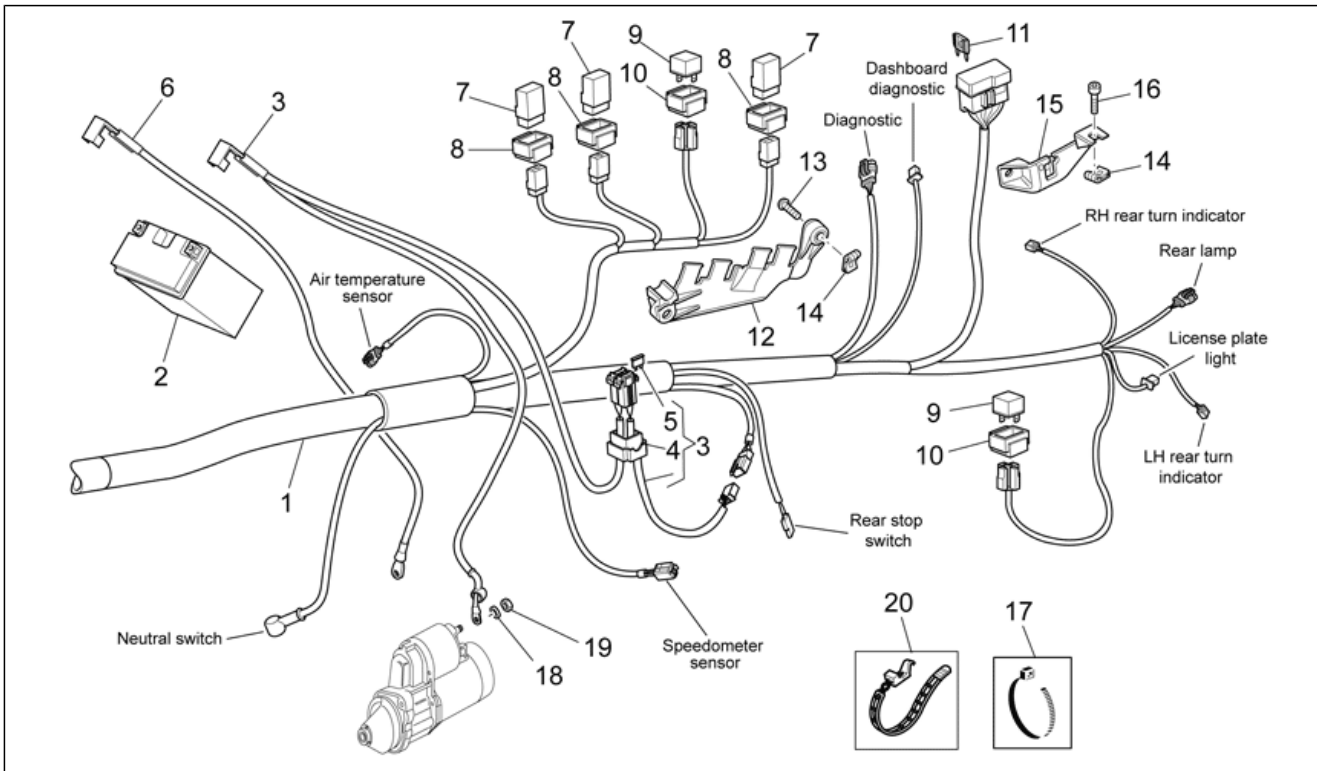
Pos.	Code	Beschrijving	Aant.	Varianten
1	978407	Hoofdzakelijke bekabeling	1	
2	883900	Centrale	1	Bouwjaar: 2010[A] LAND: Australia[AUS], Other country[EU], Great Britain[UK], United States of America[USA] Technical Specifications: Telai ZGULSG[V2]
2	883905	Centrale	1	Bouwjaar: 2010[A] LAND: Japan[J] Technical Specifications: Telai ZGULSG[V2]
2	978406	Centrale	1	Bouwjaar: 2007[7], 2008[8], 2009[9] Technical Specifications: Telai ZGULSE - ZGULSJ - ZGULSU[V1]
3	GU05729230	Huls	2	
4	AP8152279	Zeskantbout geflenst M6x20	6	
5	AP8120030	Rubbertje	6	
6	AP8221023	'T'-vormige huls *	6	
7	AP8152282	Zeskantbout geflenst M6x35	2	
8	GU30716500	H.S. bobine	2	
9	GU05716730	Steun bobine	2	
10	GU98682125	Binnenzeskantbout	8	
11	GU95008204	Sluiring 4,3x8x0,5	8	
12	GU92630104	Moer M4x0,7	8	
13	640912	H.S. kabel	2	
16	GU05717030	Bougie NGK PMR8B	2	
17	AP8152299	Zelfborg.bout gefl. M6	1	
18	584509	Sensore antiribaltamento	1	
19	AP8144046	Steunrubbertje sensor	1	
20	GU01721600	Fasesensor	1	
21	GU90706141	OR-ring	1	
22	GU01722700	Pakking 0,3mm	1	
22	GU01722701	Pakking 0,4 mm	1	

Groep	FRAME
Code	33.36
Beschrijving	Electrical system I
Revisie	1



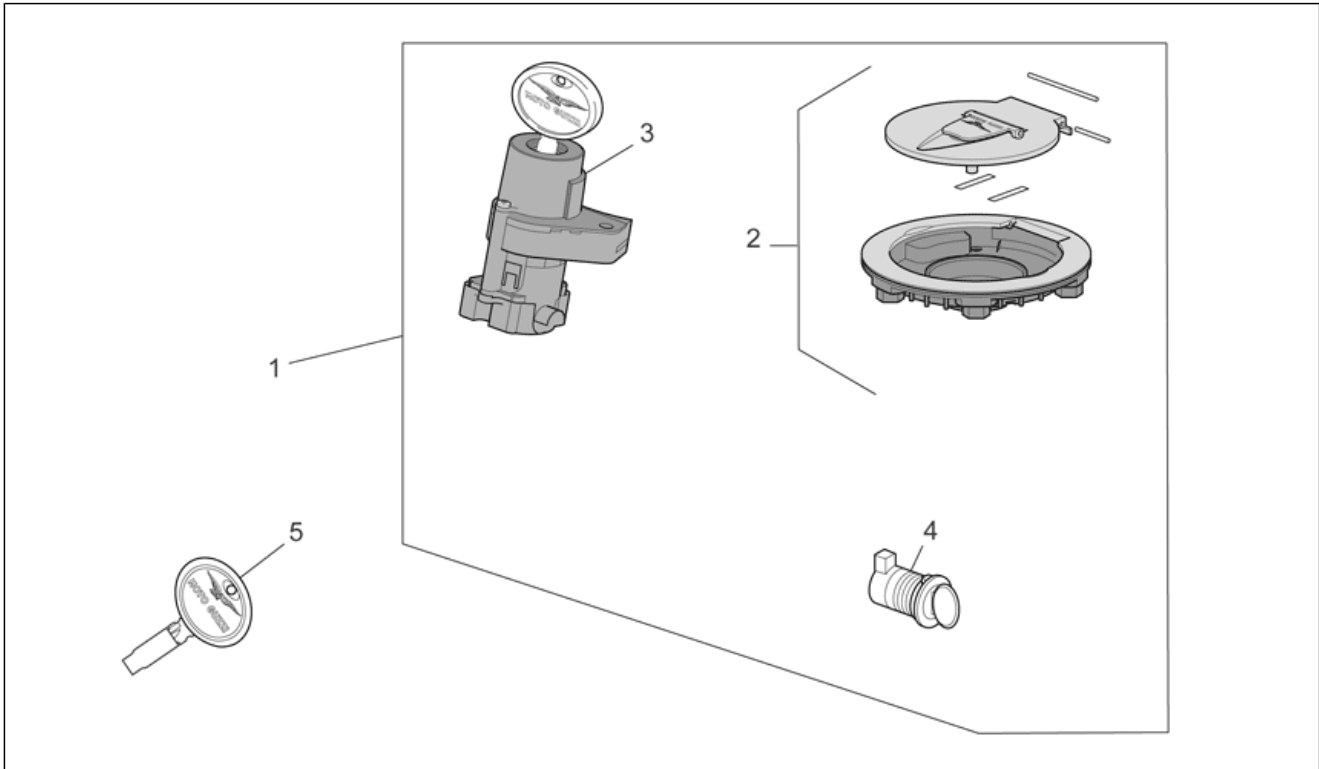
Pos.	Code	Beschrijving	Aant.	Varianten
22	GU01722702	Pakking 0,6mm	1	
22	GU01722703	Pakking	1	
22	GU01722704	Pakking 1mm	1	
22	GU01722705	Pakking 1,5mm	1	
22	GU29722760	Pakking 0,5 mm	1	
23	GU98682212	Binnenzeskantbout M5x12	2	
24	GU95008205	Sluitring 5,3x10x0,8	2	
25	GU29729461	Temperatuursensor olie	1	
26	976556	Steun sensor	1	
27	GU06609600	Klemmetje	3	
28	GU14609650	Klemmetje 3,6x20,6	13	
28	GU49609601	Klemmetje 2,4x92	7	
28	GU93304390	Klemmetje 3,6x375	2	
29	AP8121475	Kabelwartel	1	
30	AP8152285	Zeskantbout geflenst	1	
31	GU98683520	Binnenzeskantbout M10x20	1	

Groep	FRAME
Code	33.37
Beschrijving	Electrical system II
Revisie	1



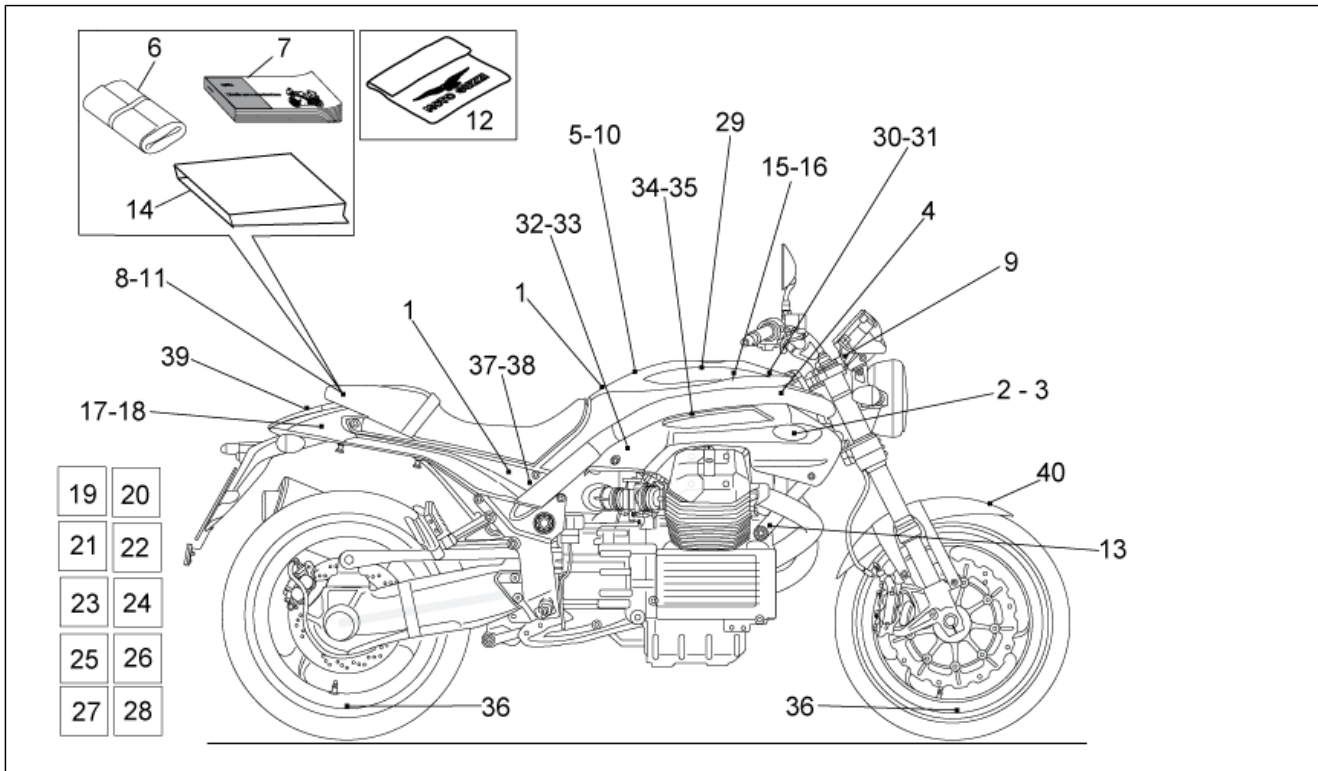
Pos.	Code	Beschrijving	Aant.	Varianten
1	978407	Hoofdzakelijke bekabeling	1	
2	GU05704531	Accu 12V-20Ah	1	
3	GU32748010	Bekabeling	1	
4	AP8112811	Rubbetje zekeringhouder	1	
5	GU28742562	Zekering 30A	3	
6	GU06747900	Bekabeling massa-accu	1	
7	AP8224462	Relais 12V/30A	3	
8	AP8220283	Rubbetje *	3	
9	AP8124869	Relais injectie	2	
10	AP8220546	Rubbetje steun relais	2	
11	977769	Zekering 3A	2	
11	977772	Zekering 15A	4	
11	977773	Zekering 20A	2	
12	GU06746300	Beugel	1	
13	AP8152339	Bolbout met binnenzekant, geflenst M5x9	2	
14	AP8102375	Clip m5	4	
15	GU06477000	Beugel	1	
16	GU98682215	Binnenzekantbout	2	
17	GU14609650	Klemmetje 3,6x20,6	13	
17	GU49609601	Klemmetje 2,4x92	7	
18	GU95129131	Sluitring gegolfd 8,4x15x1,7	1	
19	GU92609408	Moer M8x1,25	1	
20	GU06609600	Klemmetje	3	

Groep	FRAME
Code	33.38
Beschrijving	Lock hardware kit
Revisie	1



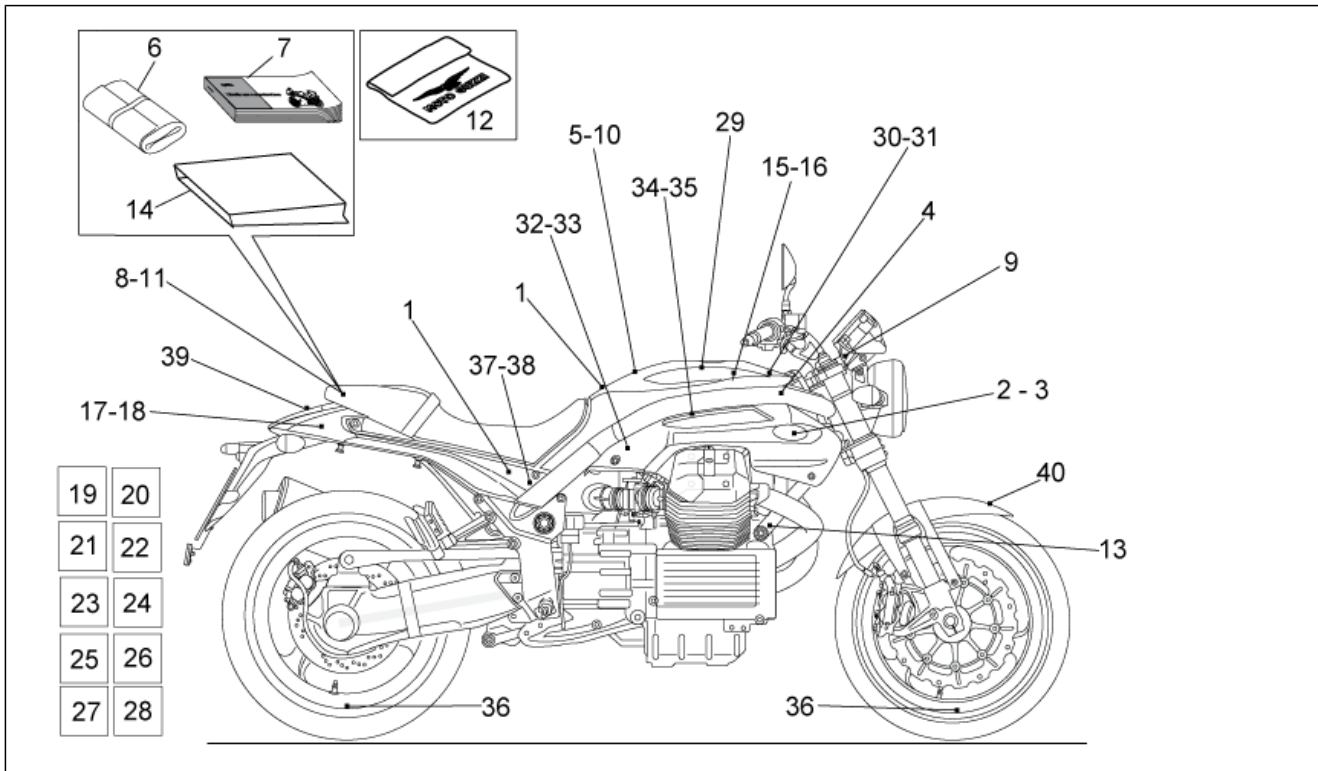
Pos.	Code	Beschrijving	Aant.	Varianten
1	GU06736800	Kit sloten	1	
2	GU06103900	Tankdop	1	
3	GU06782500	Starblokje-blokk.	1	
4	GU05466830	Zadelslot	1	
5	977918	Sleutel glad onafgew.	1	

Groep	FRAME
Code	33.39
Beschrijving	Plate set-decal-op.handbooks
Revisie	1



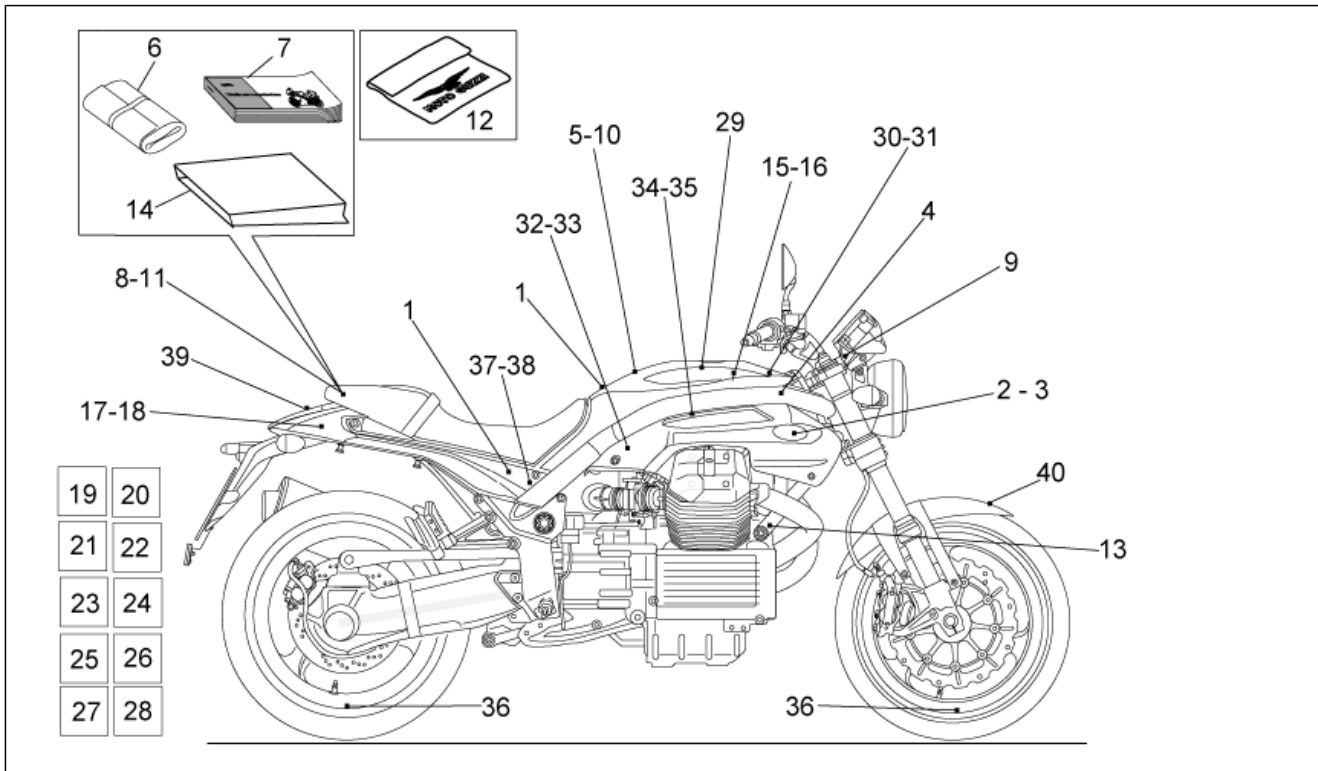
Pos.	Code	Beschrijving	Aant.	Varianten
1	883613	Plaat "Griso 8V"	2	Technical Specifications: Versione Special Edition[SE]
1	887963	Decalco tank "Griso"	1	Bouwjaar: 2012[C] Kleur van het voertuig: Black Devil[b/d] Technical Specifications: Versione Special Edition[SE]
1	978403	Plaat "Griso 8V"	2	Technical Specifications: Standard version[std]
2	GU06917400	Plaatje li rood/goud AL	1	
3	GU06917300	Plaatje re rood/goud AL	1	
4	GU05917530	Plaat "Italian Story"	1	
5	GU30944300	Plaat "Attention"	1	
6	978882	Gereedschapstas	1	
7	883277	Boekje g/o I-F-D-E-NL-UK	1	LAND: Canadian[CA], United States of America[USA]
7	883619	Boekje g/o I-F-D-E-NL-UK	1	Technical Specifications: Versione Special Edition[SE]
7	978409	Boekje g/o I-F-D-E-NL-UK	1	LAND: Australia[AUS], Other country[EU], Japan[J], Great Britain[UK] Technical Specifications: Standard version[std]
8	GU05945030	Decalco zekeringen	1	
9	GU06517700	Plaatje "Griso"	1	
10	GU05944930	Plaat Engine Start	1	
11	883932	Decalco bandenspanning	1	Bouwjaar: 2011[B] LAND: United States of America[USA]
11	977500	Decalco bandenspanning	1	LAND: United States of America[USA]
11	GU06926000	Decalco bandenspanning	1	LAND: Australia[AUS], Other country[EU], Japan[J], Great Britain[UK]
12	GU30970200	Doek voert.bedekk.	1	
13	GU05944530	Plaat Warning	1	
14	GU05900130	Zakje voor documenten	1	
15	883611	Decalco wit re	1	Technical Specifications: Versione Special Edition[SE]
15	887961	Decalco serbatoio dx fascia	1	Bouwjaar: 2012[C] Kleur van het voertuig: Black Devil[b/d] Technical Specifications: Versione Special Edition[SE]

Groep	FRAME
Code	33.39
Beschrijving	Plate set-decal-op.handbooks
Revisie	1



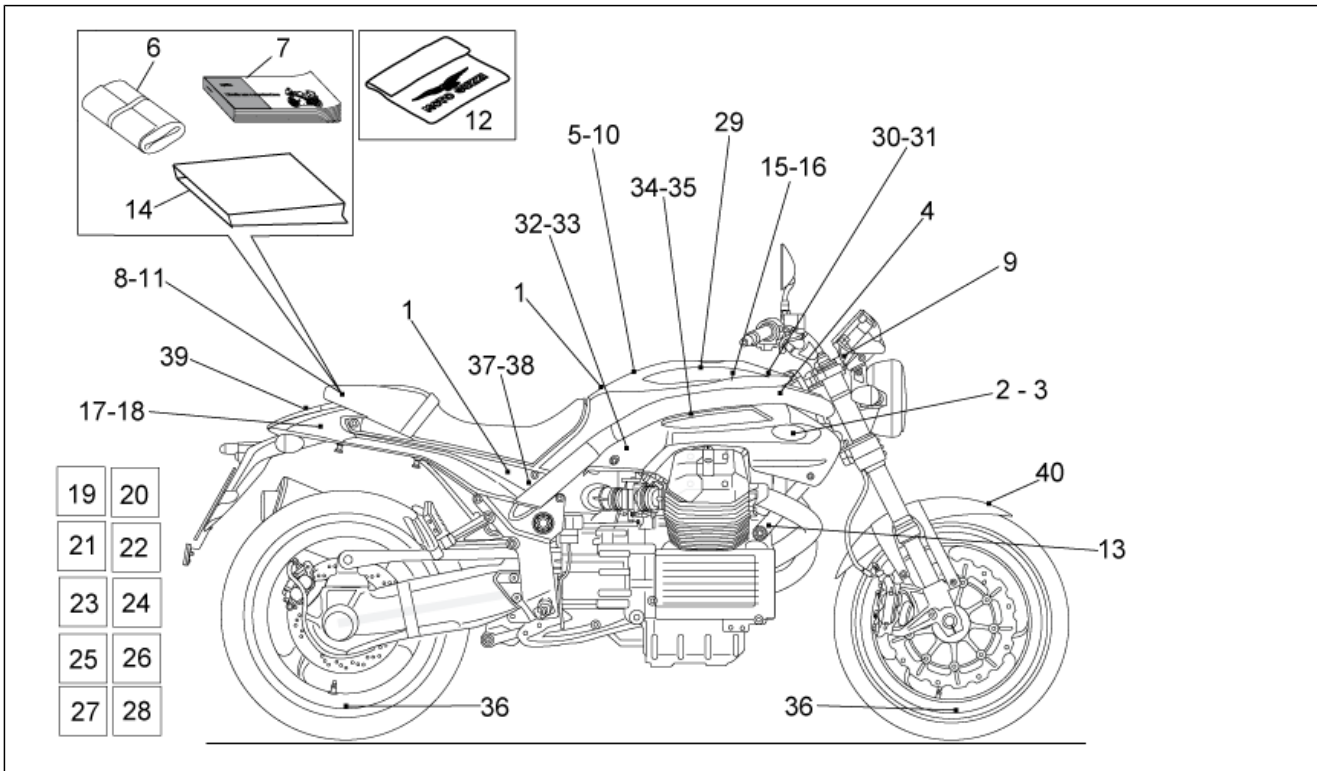
Pos.	Code	Beschrijving	Aant.	Varianten
16	883612	Decalco wit li	1	Technical Specifications:Versione Special Edition[SE]
16	887962	Decalco serbatoio sx fascia	1	Bouwjaar:2012[C] Kleur van het voertuig:Black Devil[b/d] Technical Specifications:Versione Special Edition[SE]
17	883614	Decalco wit re	1	Technical Specifications:Versione Special Edition[SE]
18	883615	Decalco wit li	1	Technical Specifications:Versione Special Edition[SE]
19	883281	Decalco geluidsemissie	1	Bouwjaar:2009[9] LAND:United States of America[USA]
19	883730	Decalco geluidsemissie	1	Bouwjaar:2010[A] LAND:United States of America[USA]
19	883917	Decalco geluidsemissie	1	Bouwjaar:2011[B] LAND:United States of America[USA]
19	884192	Decalco geluidsemissie	1	Bouwjaar:2012[C] LAND:United States of America[USA]
19	884321	***Noise emission sticker	1	Bouwjaar:2013[D] LAND:Canadian[CA], United States of America[USA]
20	883279	Decalco vervuilende emissie	1	Bouwjaar:2009[9] LAND:United States of America[USA]
20	883731	Decalco vervuilende emissie	1	Bouwjaar:2010[A] LAND:United States of America[USA]
20	883918	Decalco vervuilende emissie	1	Bouwjaar:2011[B] LAND:United States of America[USA]
20	884193	Decalco vervuilende emissie	1	Bouwjaar:2012[C] LAND:United States of America[USA]
20	884322	***Emission control sticker	1	Bouwjaar:2013[D] LAND:Canadian[CA], United States of America[USA]
21	883280	Decalco koolfilter	1	Bouwjaar:2009[9] LAND:United States of America[USA]
21	883732	Decalco koolfilter	1	Bouwjaar:2010[A] LAND:United States of America[USA]
21	883919	Decalco koolfilter	1	Bouwjaar:2011[B] LAND:United States of America[USA]

Groep	FRAME
Code	33.39
Beschrijving	Plate set-decal-op.handbooks
Revisie	1



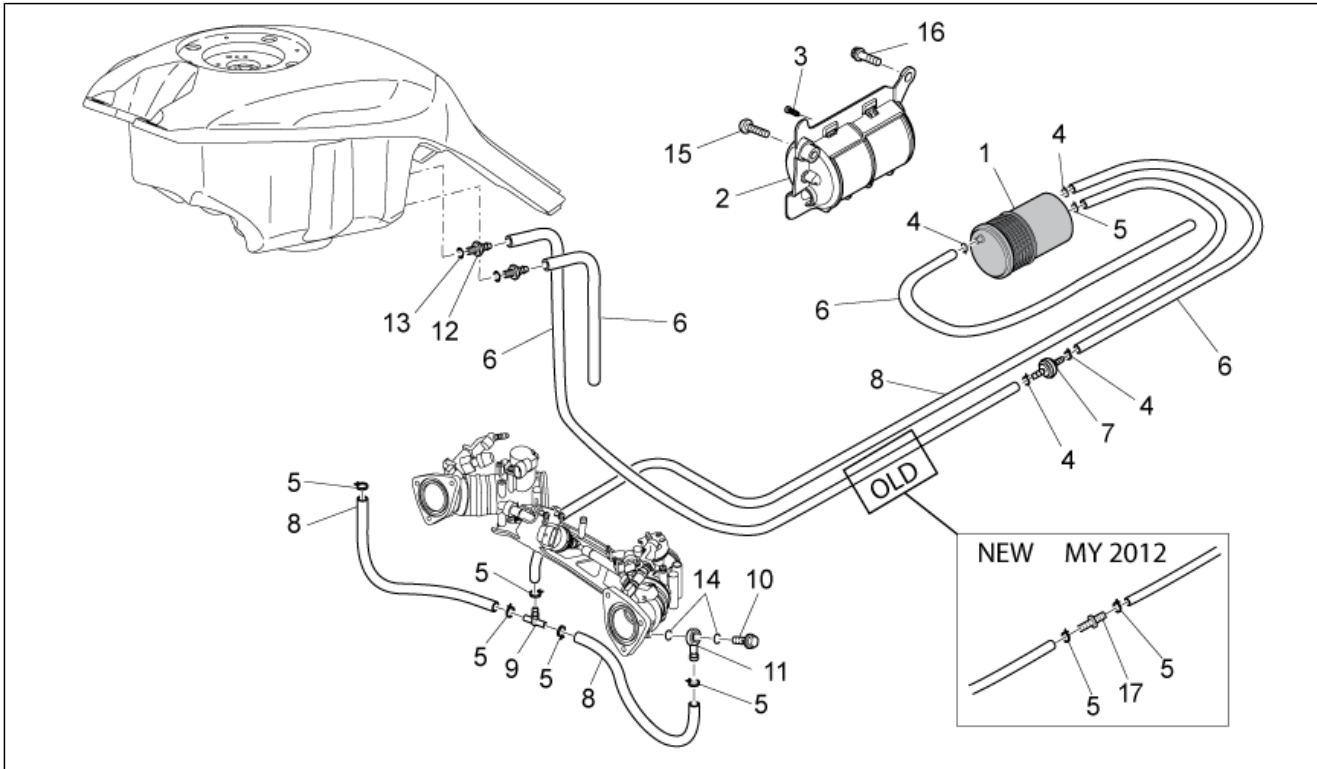
Pos.	Code	Beschrijving	Aant.	Varianten
21	884194	Decalco koolfilter	1	Bouwjaar: 2012[C] LAND: United States of America[USA]
21	884323	***Decal	1	Bouwjaar: 2013[D] LAND: Canadian[CA], United States of America[USA]
22	AP8157100	Plaat Shock Adsorber	1	
23	AP8257609	Mirror decal	2	
24	AP8257794	Battery decal	1	
25	AP8257742	Keys warning decal	1	
26	GU03995730	Plaat "Unleaded Fuelonly"	1	LAND: Australia[AUS] Technical Specifications: Versione Special Edition[SE]
27	883067	Veiligheidsplaatje 78 KW	1	Technical Specifications: Versione Special Edition[SE]
28	672381	Plaatje ices-002	1	LAND: Canadian[CA]
29	886944	Plaat "90 Anni Guzzi"	1	
30	887959	Decalco serbatoio dx fascia	1	Bouwjaar: 2012[C] Kleur van het voertuig: Black Devil[b/d] Technical Specifications: Versione Special Edition[SE]
31	887960	Decalco serbatoio sx fascia	1	Bouwjaar: 2012[C] Kleur van het voertuig: Black Devil[b/d] Technical Specifications: Versione Special Edition[SE]
32	887964	Decalco fascia DX	1	Bouwjaar: 2012[C] Kleur van het voertuig: Black Devil[b/d] Technical Specifications: Versione Special Edition[SE]
33	887965	Decalco fascia SX	1	Bouwjaar: 2012[C] Kleur van het voertuig: Black Devil[b/d] Technical Specifications: Versione Special Edition[SE]
34	887966	Decalco fascia DX	1	Bouwjaar: 2012[C] Kleur van het voertuig: Black Devil[b/d] Technical Specifications: Versione Special Edition[SE]
35	887967	Decalco fascia SX	1	Bouwjaar: 2012[C] Kleur van het voertuig: Black Devil[b/d] Technical Specifications: Versione Special Edition[SE]
36	887971	Plaat "Moto Guzzi"	4	Bouwjaar: 2012[C]

Groep	FRAME
Code	33.39
Beschrijving	Plate set-decal-op.handbooks
Revisie	1



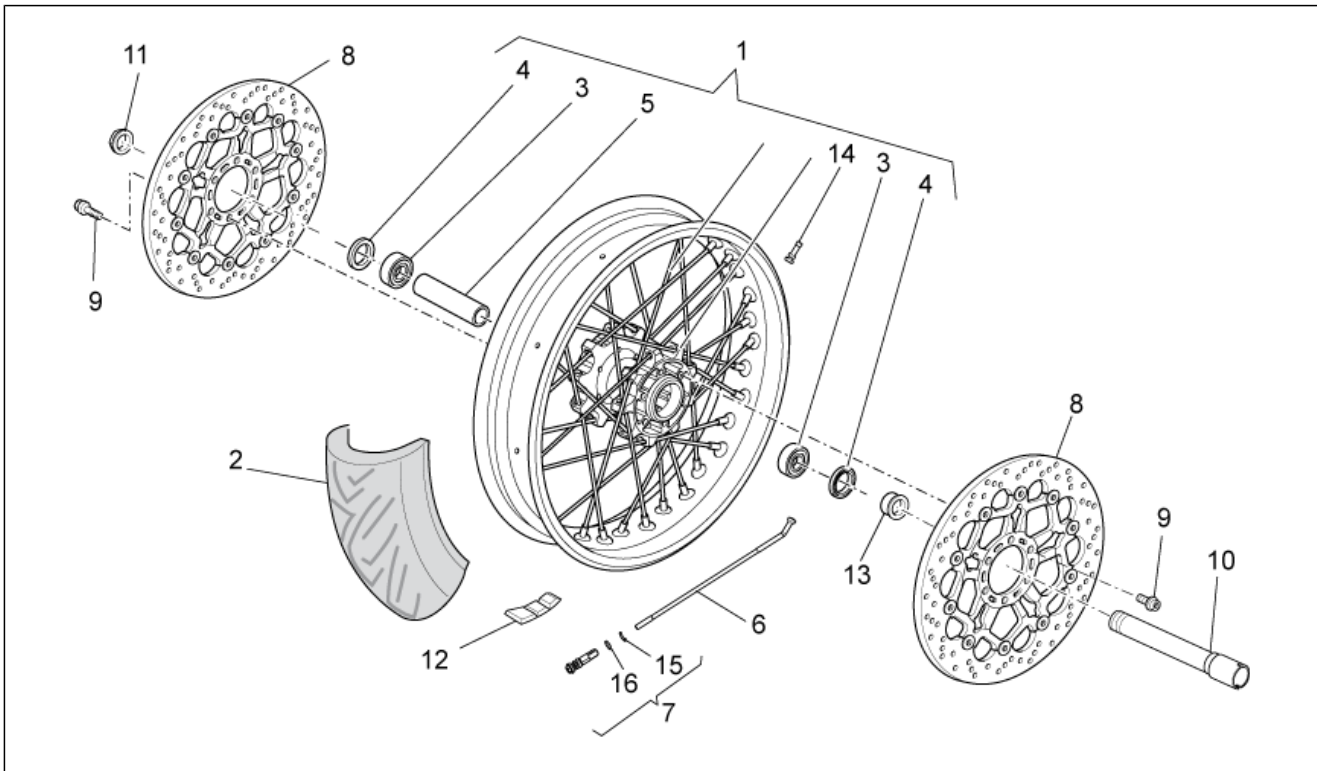
Pos.	Code	Beschrijving	Aant.	Varianten
				Kleur van het voertuig:Black Devil[b/d] Technical Specifications:Versione Special Edition[SE]
37	887968	Decalco re "1200"	1	Bouwjaar:2012[C] Kleur van het voertuig:Black Devil[b/d] Technical Specifications:Versione Special Edition[SE]
38	887969	Decalco li "1200"	1	Bouwjaar:2012[C] Kleur van het voertuig:Black Devil[b/d] Technical Specifications:Versione Special Edition[SE]
39	887970	Decalco eindstuk	1	Bouwjaar:2012[C] Kleur van het voertuig:Black Devil[b/d] Technical Specifications:Versione Special Edition[SE]
40	886141	Plaat "Aquila"	1	Bouwjaar:2012[C] Kleur van het voertuig:Black Devil[b/d] Technical Specifications:Versione Special Edition[SE]

Groep	FRAME
Code	33.63
Beschrijving	Fuel vapour recover system
Revisie	1



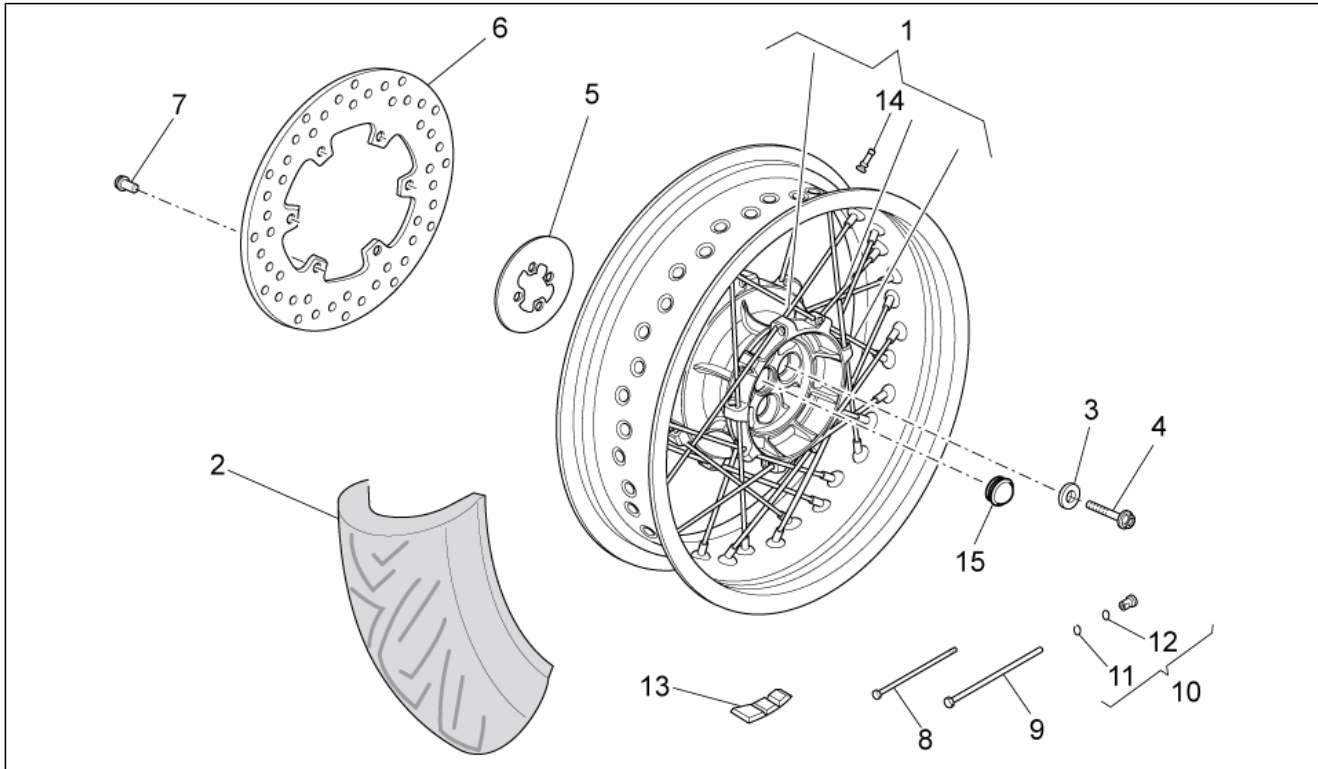
Pos.	Code	Beschrijving	Aant.	Varianten
1	AP8102678	Koolfilter	1	LAND:Canadian[CA], United States of America[USA]
2	977418	Steunplaat canister	1	LAND:Canadian[CA], United States of America[USA]
3	AP8150413	Zelftap. bout 3,9x14	3	LAND:Canadian[CA], United States of America[USA]
4	AP8201358	Klemmetje D 11,9	4	LAND:Canadian[CA], United States of America[USA]
5	AP8102377	Klemmetje D9,1*	8	LAND:Canadian[CA], United States of America[USA]
6	856063	Buis SAE 30 d.12,7x6,35	3	LAND:Canadian[CA], United States of America[USA]
7	860138	Klep	1	Bouwjaar: 2012[C] LAND:Canadian[CA], United States of America[USA] Technical Specifications: New version[NEW]
7	AP8104614	Drukklep	1	Bouwjaar: 2007[7], 2008[8], 2009[9], 2010[A], 2011[B] LAND:Canadian[CA], United States of America[USA] Technical Specifications: Old version[OLD]
8	856062	Buis SAE 30 d.11,11x4,8	3	LAND:Canadian[CA], United States of America[USA]
9	AP8104666	Driewegsverbinding	1	LAND:Canadian[CA], United States of America[USA]
10	GU95990023	Geperfor. bout	2	LAND:Canadian[CA], United States of America[USA]
11	GU95963062	Verbinding	2	LAND:Canadian[CA], United States of America[USA]
12	GU30103730	Verbinding	2	LAND:Canadian[CA], United States of America[USA]
13	AP8120965	OR-ring 2018	2	LAND:Canadian[CA], United States of America[USA]
14	GU90706009	OR-ring 6x1	4	LAND:Canadian[CA], United States of America[USA]
15	GU98231235	Bolbout met binnenzeskant M12x35	1	LAND:Canadian[CA], United States of America[USA]
16	GU97202435	Bout	1	LAND:Canadian[CA], United States of America[USA]
17	AP8121267	Eindstuk vernauw.	1	Bouwjaar: 2012[C] LAND:Canadian[CA], United States of America[USA] Technical Specifications: New version[NEW]

Groep	FRAME
Code	33.64
Beschrijving	SE Front wheel
Revisie	1



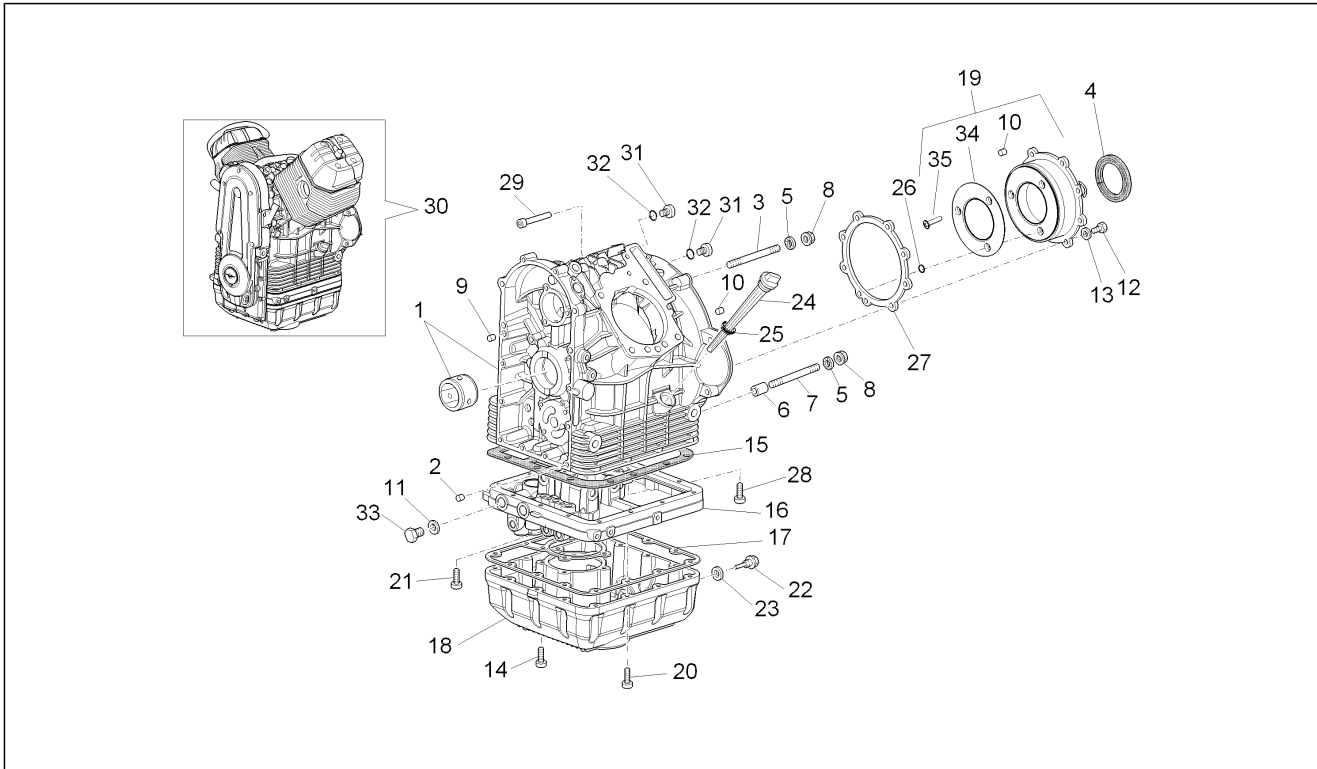
Pos.	Code	Beschrijving	Aant.	Varianten
1	884077	Voorwiel naked zwart 3,5X17"	1	Technical Specifications: Ruota marchiata BEHR[RBE], Ruota con raggi ZN[RZN], Versione Special Edition[SE]
1	884163	Voorwiel naked zwart 3,5X17"	1	Technical Specifications: Ruota marchiata GIANT[RGI], Ruota con raggi ZN[RZN], Versione Special Edition[SE]
1	978528	Voorwiel naked zwart 3,5x17"	1	Technical Specifications: Ruota marchiata BEHR[RBE], Ruota con raggi CR[RCR], Versione Special Edition[SE]
2	890646	Voorband 120/70-R17 Pirelli	1	Technical Specifications: Versione Special Edition[SE]
3	AP8125777	Kogellager 25x47x12	2	Technical Specifications: Versione Special Edition[SE]
4	AP8125773	Dichtingsring 30x47x7	2	Technical Specifications: Versione Special Edition[SE]
5	978516	Afstandhouder lagers	1	Technical Specifications: Versione Special Edition[SE]
6	887084	Spaak voor.	36	Technical Specifications: Versione Special Edition[SE], Galvanized[ZN]
6	978530	Spaak	36	Technical Specifications: Cromo Lucido[CR], Versione Special Edition[SE]
7	978810	Nippels L=34	36	Technical Specifications: Versione Special Edition[SE]
8	883688	Remschijf voor 320	2	Technical Specifications: Versione Special Edition[SE], Marchio Sunstar[SUN]
8	978764	Remschijf voor	2	Technical Specifications: Marchio Brembo[BRE], Versione Special Edition[SE]
9	GU05611430	Bout	12	Technical Specifications: Versione Special Edition[SE]
10	978497	Pin voorwiel	1	Technical Specifications: Versione Special Edition[SE]
11	GU01612190	Moer	1	Technical Specifications: Versione Special Edition[SE]
12	GU14616150	Tegengewicht	1	Technical Specifications: Versione Special Edition[SE]
13	978498	Afstandhouder	1	Technical Specifications: Versione Special Edition[SE]
14	AP8101744	Klep tubeless	1	Technical Specifications: Versione Special Edition[SE]
15	978811	Elastische ring	36	Technical Specifications: Versione Special Edition[SE]
16	GU90706061	OR-ring OR2025	36	Technical Specifications: Versione Special Edition[SE]

Groep	FRAME
Code	33.65
Beschrijving	SE Rear wheel
Revisie	1



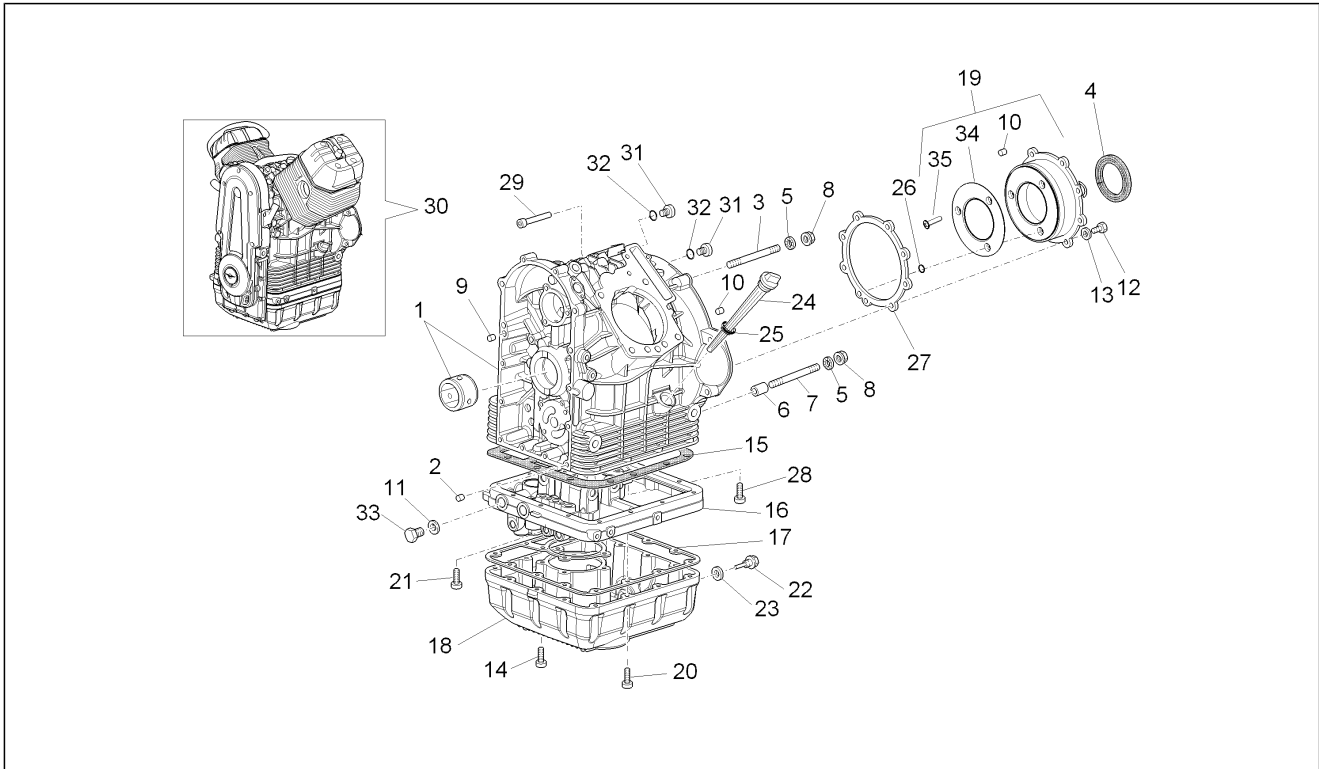
Pos.	Code	Beschrijving	Aant.	Varianten
1	884078	Achterwiel naked 5,5x17	1	Technical Specifications: Ruota marchiata BEHR[RBE], Ruota con raggi ZN[RZN], Versione Special Edition[SE]
1	884164	Achterwiel naked 5,5x17	1	Technical Specifications: Ruota marchiata GIANT[RGI], Ruota con raggi ZN[RZN], Versione Special Edition[SE]
1	978849	Achterwiel naked 5,5x17"	1	Technical Specifications: Ruota marchiata BEHR[RBE], Ruota con raggi CR[RRCR], Versione Special Edition[SE]
2	890647	Achterband 185/55 R17 Pirelli	1	Technical Specifications: Versione Special Edition[SE]
3	GU05632730	Conische huls	4	Technical Specifications: Versione Special Edition[SE]
4	GU97202665	Zeskantbout geflenst M12x65	4	Technical Specifications: Versione Special Edition[SE]
5	977056	Stofkeerring	1	Technical Specifications: Versione Special Edition[SE]
6	GU05635730	Remschijf acht.	1	Technical Specifications: Versione Special Edition[SE]
7	GU30611460	Bout	6	Technical Specifications: Versione Special Edition[SE]
8	887082	Spaak kort L=147,4mm	18	Technical Specifications: Versione Special Edition[SE], Galvanized[ZN]
8	978815	Spaak kort	18	Technical Specifications: Cromo Lucido[CR], Versione Special Edition[SE]
9	887083	Spaak lang L=154,9mm	18	Technical Specifications: Versione Special Edition[SE], Galvanized[ZN]
9	978816	Spaak lang	18	Technical Specifications: Cromo Lucido[CR], Versione Special Edition[SE]
10	978810	Nippels L=34	36	Technical Specifications: Versione Special Edition[SE]
11	978811	Elastische ring	36	Technical Specifications: Versione Special Edition[SE]
12	GU90706061	OR-ring OR2025	36	Technical Specifications: Versione Special Edition[SE]
13	GU14616150	Tegengewicht	1	Technical Specifications: Versione Special Edition[SE]
14	AP8101744	Klep tubeless	1	Technical Specifications: Versione Special Edition[SE]
15	978301	Dop	1	Technical Specifications: Versione Special Edition[SE]

Groep	ENGINE
Code	34.40
Beschrijving	Crank-case I
Revisie	1



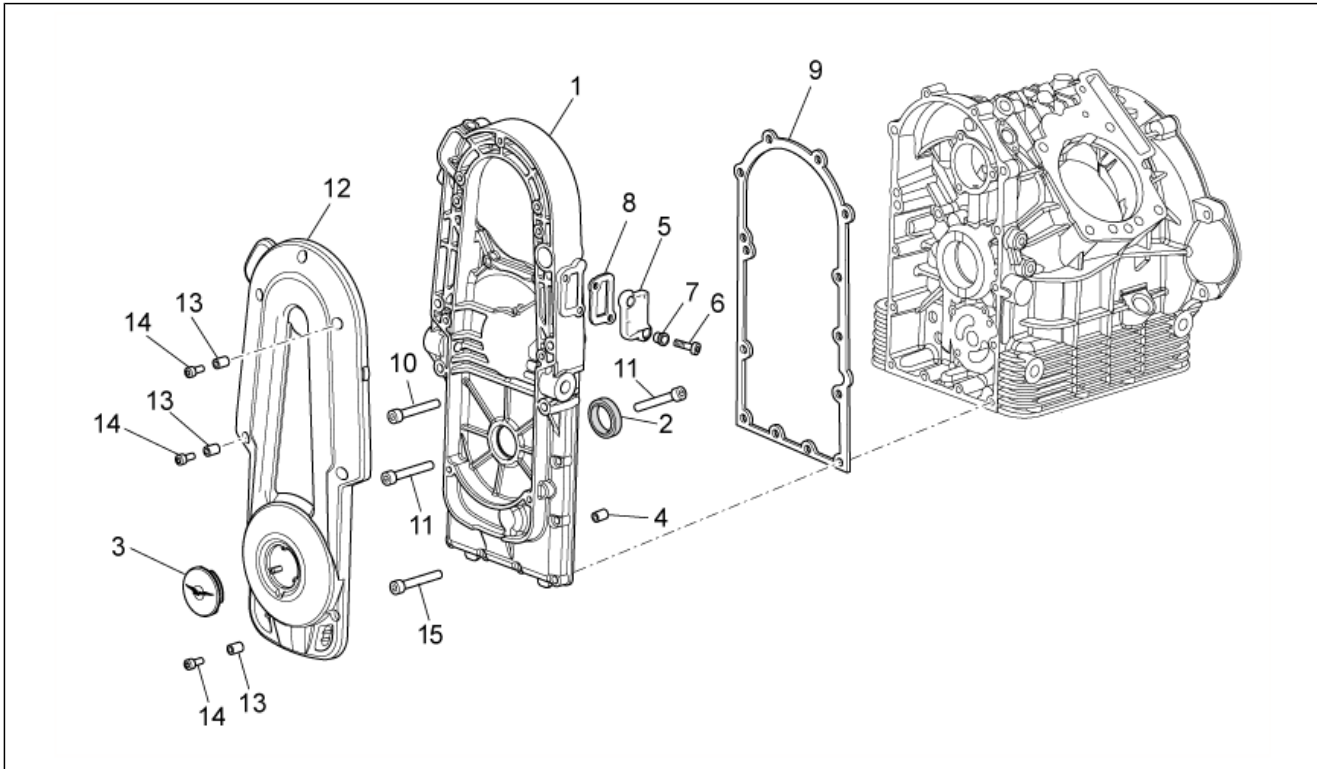
Pos.	Code	Beschrijving	Aant.	Varianten
1	976539	Onderstel motor zwart	1	
2	411209	Plug	2	
3	GU96508066	Stiftbout M8X66	3	
4	GU90405367	Dichtingsring	1	
5	GU14615901	Sluitering 8,4X13X0,8	5	
6	GU12018900	Geleiderhuls	2	
7	GU96508075	Stiftbout M8x75	2	
8	GU92660021	Moer geflenst M8	5	
9	GU95512081	Plug	2	
10	560110	Plug	2	
11	GU01154230	Pakking in aluminium	2	
12	GU98084425	Zeskantbout M8x25	8	
13	GU61270300	Elastische sluitring 8x15x0,3	8	
14	GU98680335	Binnenzeskantbout M6x35	4	
15	GU01003651	Pakking flens	1	
16	976502	Flens zwart	1	
17	GU05003630	Pakking	1	
18	976486	Oliecarter motor grijs	1	
19	874213	Flens cpl.	1	
20	AP4ADN000007	Binnenzeskantbout	14	
21	GU98680360	Binnenzeskantbout M6x60	2	
22	GU31003766	Afvoerdop olie M10x1	1	
23	GU01528930	Pakking 10x18x1,5	1	
24	GU05004930	Dop oliepeil	1	
25	GU90706178	OR-ring 17,86X2,62	1	
26	874980	OR-ring 7,5X2	1	
27	874257	Pakking flens	1	
28	GU98680340	Binnenzeskantbout M6x40	2	

Groep	ENGINE
Code	34.40
Beschrijving	Crank-case I
Revisie	1



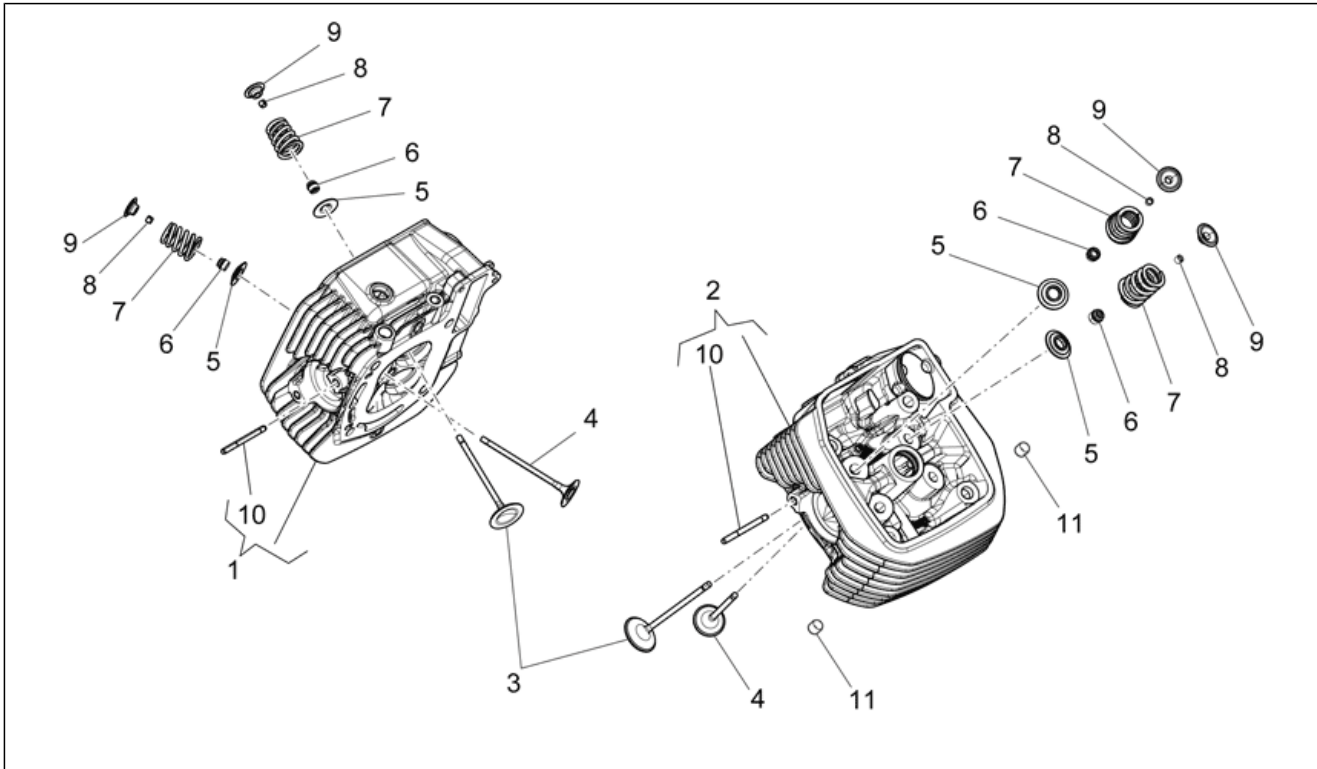
Pos.	Code	Beschrijving	Aant.	Varianten
29	AP8152291	Zeskantbout geflenst	1	
30	976929	Motor cpl.	1	Technical Specifications: Vecchia distribuzione[VD]
30	9769945	***Engine cpl.	1	Technical Specifications: Nuova distribuzione a rullini[ND]
31	GU12022600	Oliedop	2	
32	GU90706203	OR-ring 20,24X2,62	2	
33	GU95980216	Dop	2	
34	874134	Disco recupero olio	1	
35	015935	Vite TBCIC M5x12	3	

Groep	ENGINE
Code	34.41
Beschrijving	Crank-case II
Revisie	1



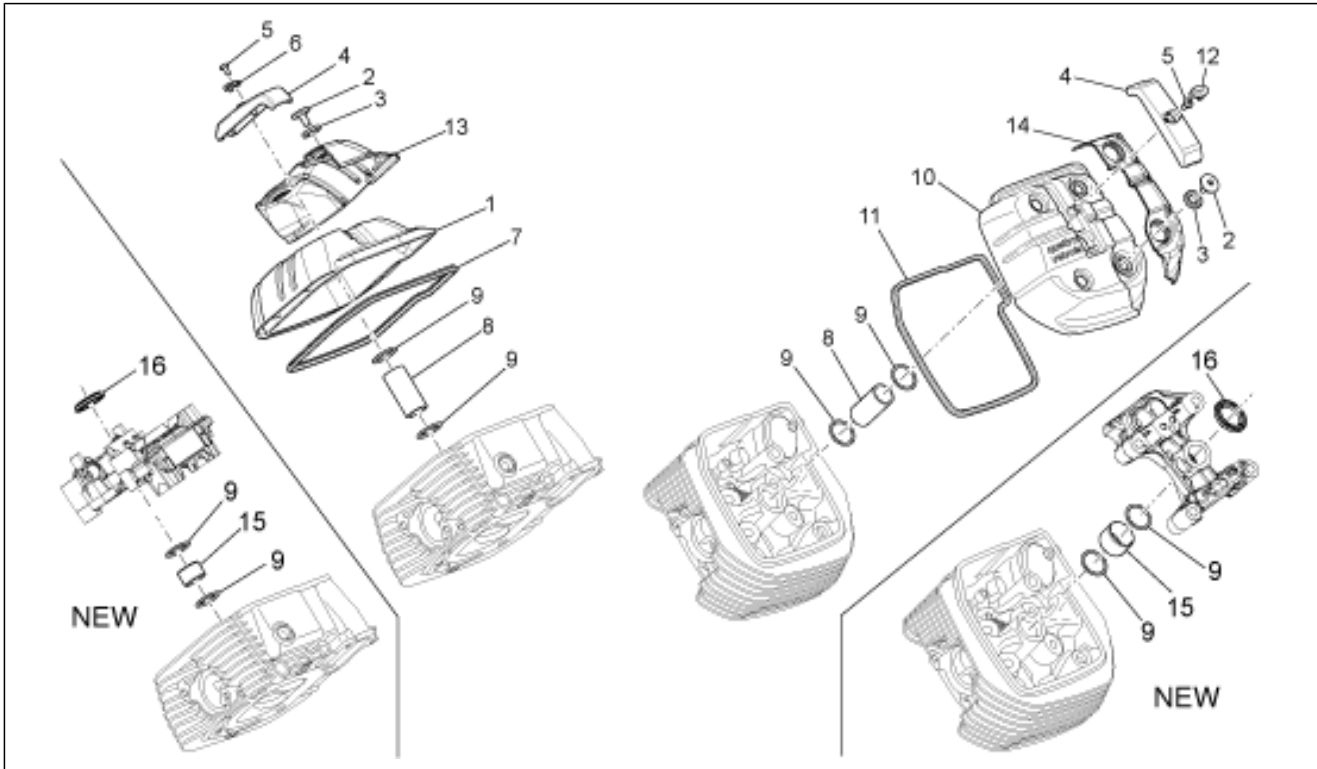
Pos.	Code	Beschrijving	Aant.	Varianten
1	976480	Bedekking distr. zwart	1	
2	GU90412237	Dichtingsring 22x35x7viton	1	
3	GU05002130	Dop	1	
4	825597	Plug 11,8X10	2	
5	976554	Dop	1	
6	GU98682320	Binnenzeskantbout M6x20	2	
7	GU91120607	Beslagring 6,4x8,4x10,5	2	
8	GU90706347	OR-ring 34,65x1,78viton	1	
9	976478	Pakking bedekking	1	
10	AP8150046	Binnenzeskantbout M8x55	4	
11	GU98682330	Binnenzeskantbout M6x20	9	
12	GU05001630	Bedekking generator grijs	1	
13	GU91120606	Beslagring 6,8x8,8x5,8	6	
14	GU98682316	Binnenzeskantbout M6x16	5	
15	GU98680335	Binnenzeskantbout M6x35	1	

Groep	ENGINE
Code	34.42
Beschrijving	Cylinder head - valves
Revisie	1



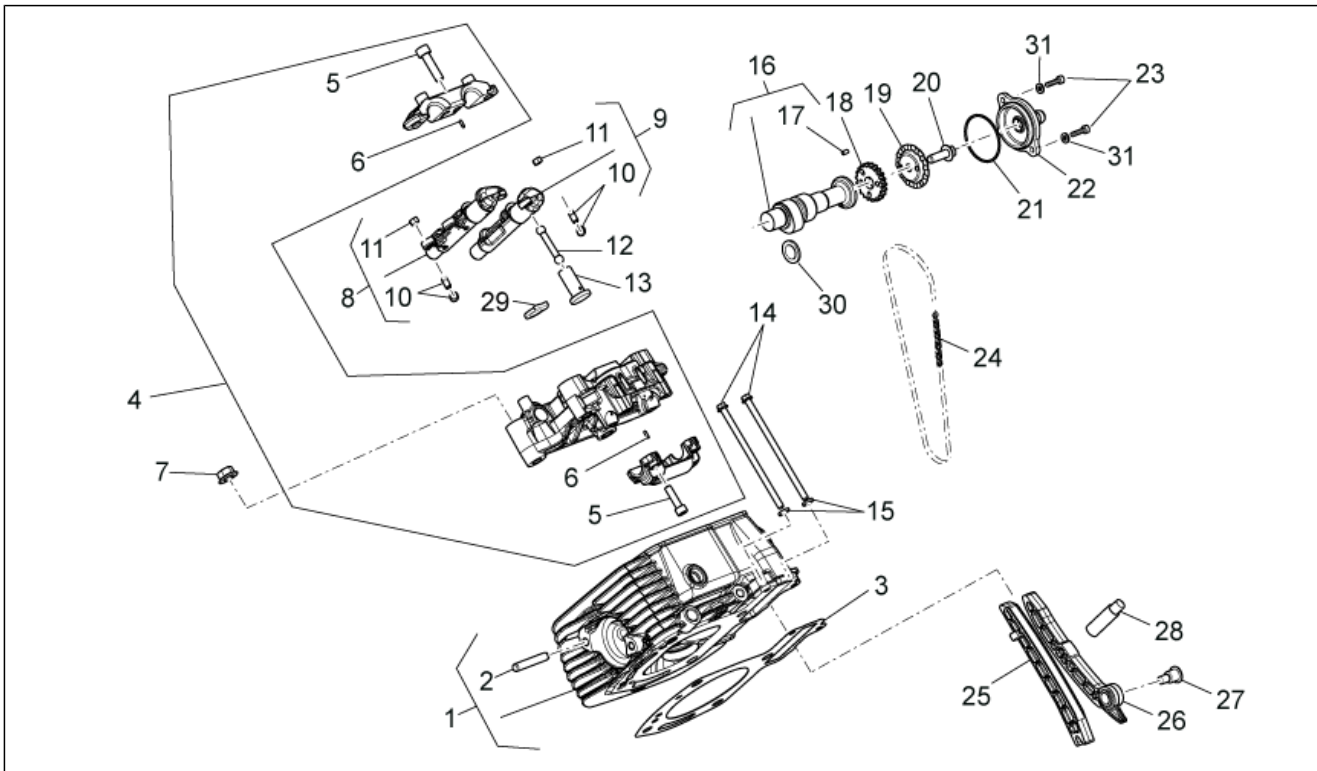
Pos.	Code	Beschrijving	Aant.	Varianten
1	872756	Kop cilinder re	1	Technical Specifications: Telai ZGULSE - ZGULSJ - ZGULSU[V1]
1	878556	Kop cilinder re	1	Technical Specifications: Telai ZGULSG[V2]
2	872755	Kop cilinder li	1	Technical Specifications: Telai ZGULSE - ZGULSJ - ZGULSU[V1]
2	878553	Kop cilinder li	1	Technical Specifications: Telai ZGULSG[V2]
3	872695	Klep aanz.	4	
4	872696	Klep uitl.	4	
5	874127	Plaatje ond.	4	
6	436438	Dichtingsring klep	8	
7	874335	Veer klep	8	
8	285846	Halfconus klep	8	
9	874126	Plaatje bov.	8	
10	827018	Stiftbout uitlaat M8X3X46	4	
11	825597	Plug 11,8X10	8	

Groep	ENGINE
Code	34.43
Beschrijving	Head cover
Revisie	1



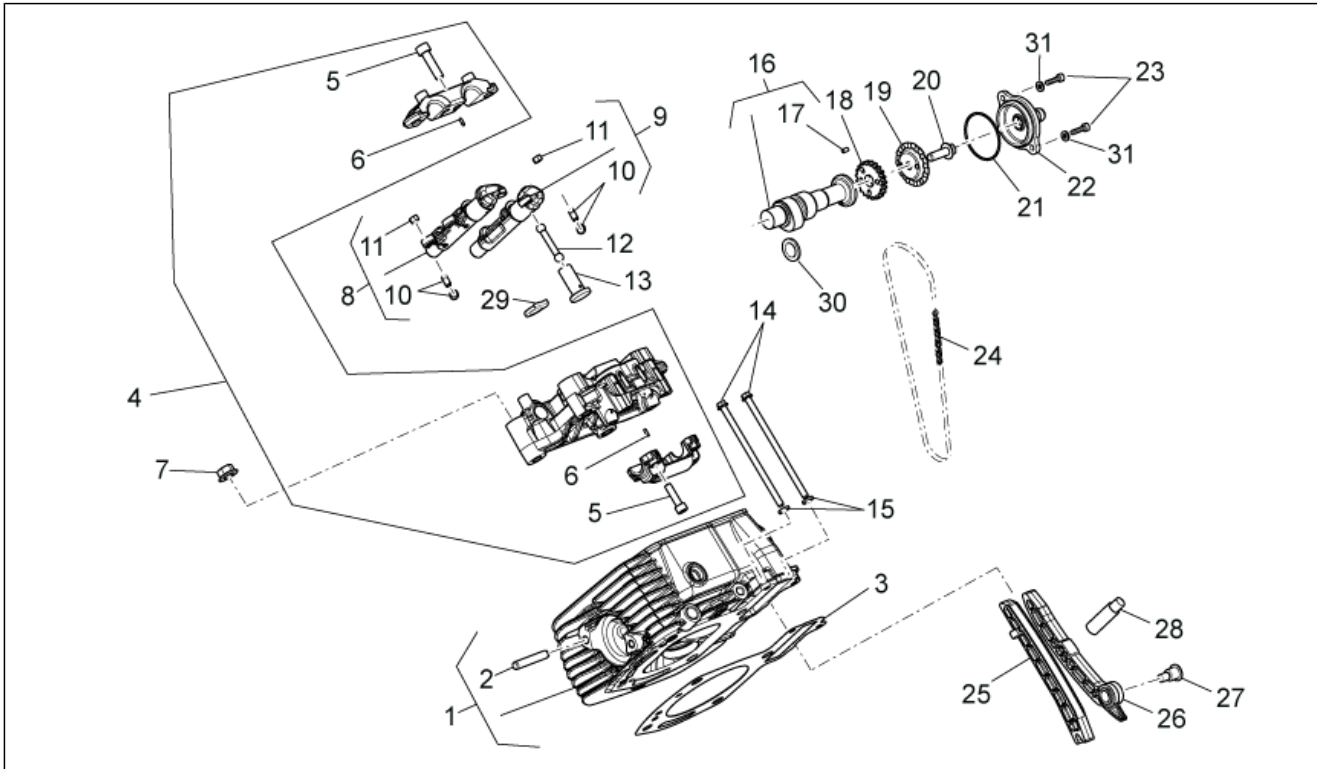
Pos.	Code	Beschrijving	Aant.	Varianten
1	872607	Bedekking kop re	2	Technical Specifications: Old version[OLD]
1	880124	Bedekking kop re	1	Technical Specifications: New version[NEW]
2	976591	Speciale bout	8	
3	830249	Buffer demper	8	Technical Specifications: Old version[OLD]
3	879975	Buffer demper	8	Technical Specifications: New version[NEW]
4	872726	Bedekking bougie	2	
5	GU98230510	Bolbout met binnenzeskant	2	
6	976560	Plaatje re "Moto Guzzi"	1	
7	872742	Pakking re	1	
8	873668	Buis bougie	2	Technical Specifications: Old version[OLD]
9	873626	OR-ring 26X2,5	4	
10	872606	Bedekking kop li	1	Technical Specifications: Old version[OLD]
10	880123	Bedekking kop li	1	Technical Specifications: New version[NEW]
11	872741	Pakking li	1	
12	976559	Plaatje li "Moto Guzzi"	1	
13	873654	Bedekking re	1	
14	872740	Bedekking li	1	
15	879987	Buis bougie	2	Technical Specifications: New version[NEW]
16	880127	Pakking	2	Technical Specifications: Old version[OLD]

Groep	ENGINE
Code	34.44
Beschrijving	RH cylinder timing system I
Revisie	1



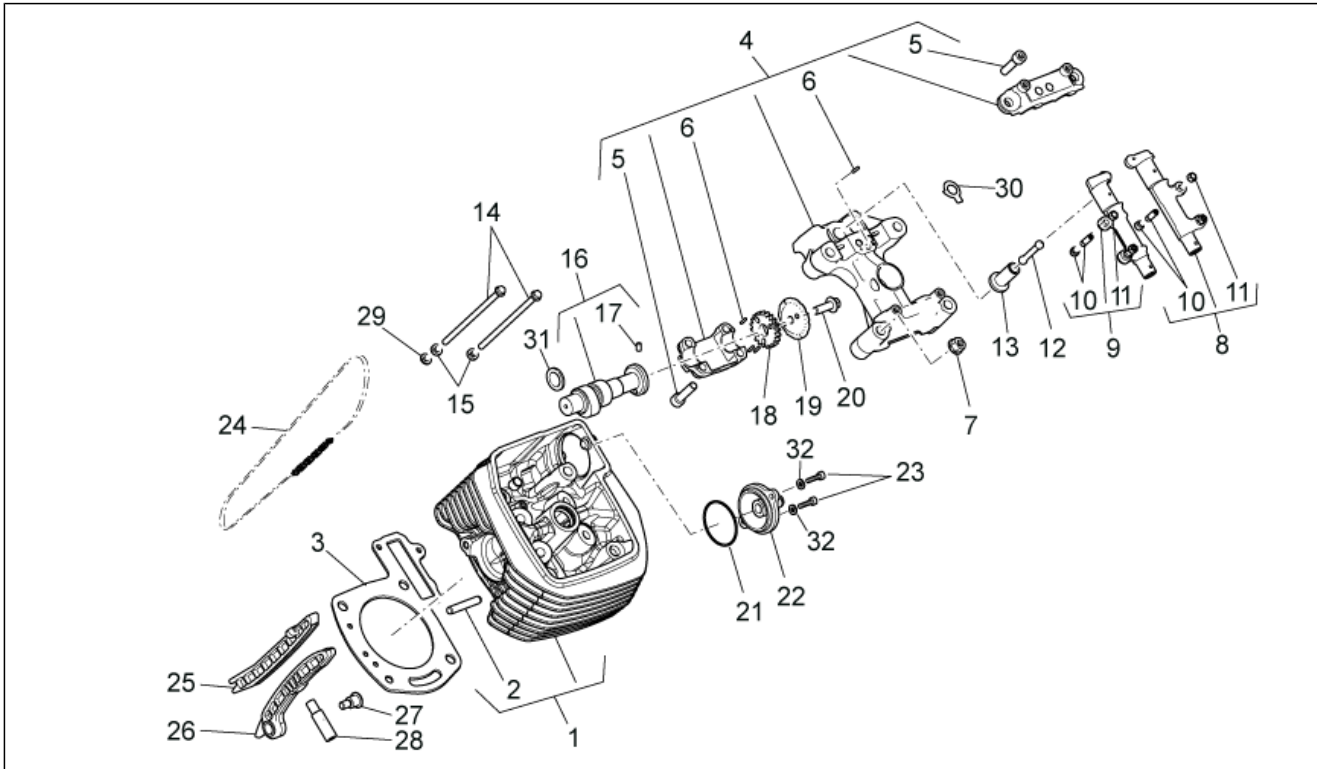
Pos.	Code	Beschrijving	Aant.	Varianten
1	872756	Kop cilinder re	1	Technical Specifications: Telai ZGULSE - ZGULSJ - ZGULSU[V1]
1	878556	Kop cilinder re	1	Technical Specifications: Telai ZGULSG[V2]
2	827018	Stiftbout uitlaat M8X3X46	4	
3	874621	Pakking kop 0,65 mm	2	
3	874622	Pakking kop 0,85 mm	2	
3	976311	Pakking kop 1,05 mm	2	
4	873426	Steun balanceren re	1	Technical Specifications: Old version[OLD]
4	880879	Steun balanceren re	1	Technical Specifications: New version[NEW]
5	015792	Bout M8x30	6	
6	872759	Plug D. 2,5	4	
7	833520	Moer M10X1,25 6H	4	
8	976359	Balanceren	1	Technical Specifications: Asta comando bilanciere old[M1]
8	B013603	Bilanciere aspirazione sx scarico dx	1	Technical Specifications: Asta comando bilanciere new[M2]
9	976360	Balanceren	1	Technical Specifications: Asta comando bilanciere old[M1]
9	B013605	Bilanciere aspirazione dx scarico sx	1	Technical Specifications: Asta comando bilanciere new[M2]
10	873850	Registerbout	4	Technical Specifications: Asta comando bilanciere old[M1]
10	879707	Regelbout	4	Technical Specifications: Asta comando bilanciere new[M2]
11	484819	Moer	4	Technical Specifications: Asta comando bilanciere old[M1]
11	879916	Moer regeling balanceren	4	Technical Specifications: Asta comando bilanciere new[M2]
12	873631	Staaft balanceren	2	Technical Specifications: Asta comando bilanciere old[M1]
12	B015681	Staaft balanceren	2	Technical Specifications: Asta comando bilanciere new[M2]
13	B014603	Bicchierino per punteria	2	
14	487444	Geflenste bout M6x120	2	
15	976674	Sluitring vlak 12x6,1x2	2	
16	873873	Nokkenas	1	Bouwjaar: 2007[7], 2008[8], 2009[9] Technical Specifications: Telai ZGULSE - ZGULSJ - ZGULSU[V1]
16	8776384	Nokkenas	1	Bouwjaar: 2010[A]

Groep	ENGINE
Code	34.44
Beschrijving	RH cylinder timing system I
Revisie	1



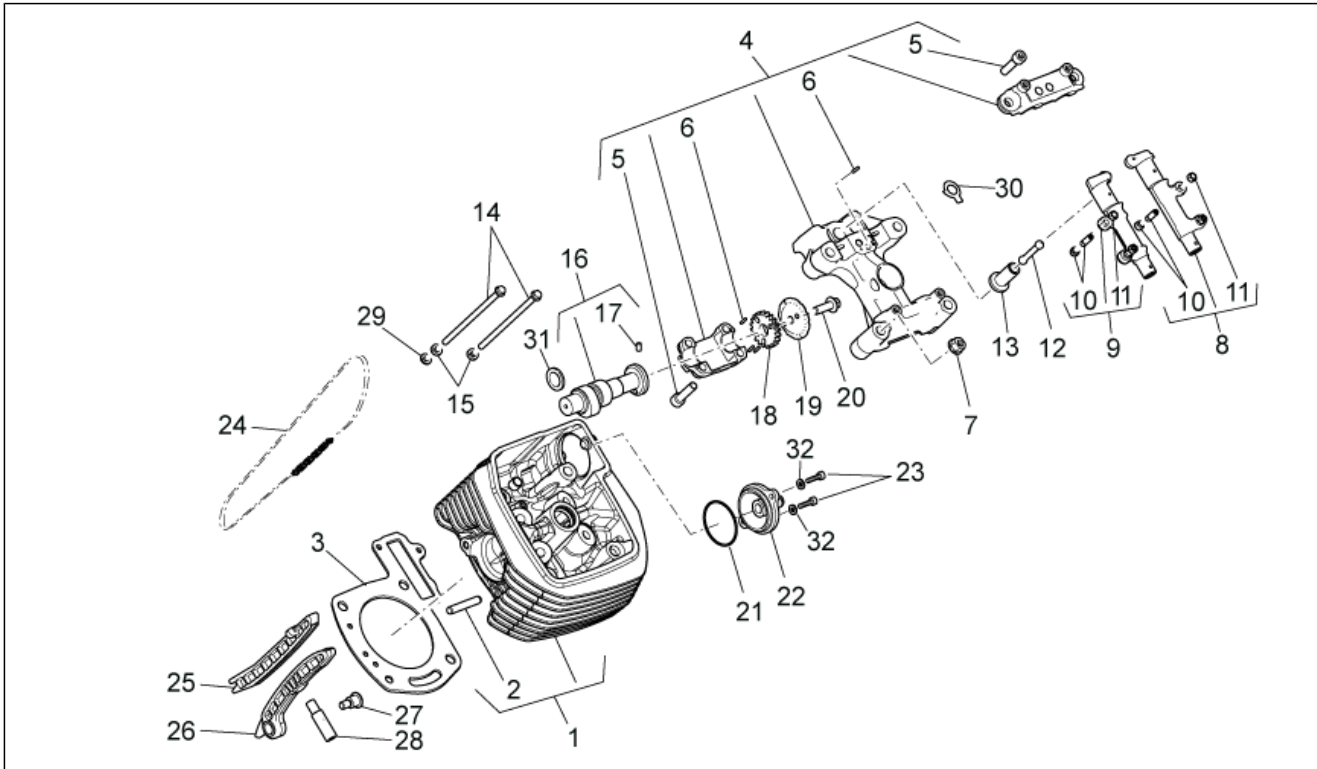
Pos.	Code	Beschrijving	Aant.	Varianten
				Technical Specifications: Telai ZGULSG[V2]
17	976589	Plug	1	
18	976350	Raderw. distr.	1	
19	874601	Staalplaatje ontluchting	1	
20	843060	Geflenste bout	1	
21	872814	OR-ring 47,35X1,78	1	Technical Specifications: Telai ZGULSE - ZGULSJ - ZGULSU[V1]
21	976584	OR-ring 44.17X1.78	1	Technical Specifications: Telai ZGULSG[V2]
22	874521	Bedekking ontluchting cpl.	1	Technical Specifications: Telai ZGULSE - ZGULSJ - ZGULSU[V1]
22	976690	Bedekking ontluchting cpl.	1	Technical Specifications: Telai ZGULSG[V2]
23	GU98350210	Bolbout met binnenzeskant	2	Technical Specifications: Telai ZGULSE - ZGULSJ - ZGULSU[V1]
23	GU98622214	Bout	1	Technical Specifications: Telai ZGULSG[V2]
24	976341	Distributieketting	1	
25	976338	Glijvlak van de ketting	1	
26	976337	Glijvlak kettingspanner	1	
27	974228	Bout afstandhouder	1	
28	873689	Kettingspanner re	1	
29	874805	Staalplaatje	1	
30	CM162701	Afstandhouder 1,06	1	
30	CM162702	Afstandhouder 1,08	1	
30	CM162703	Afstandhouder 1,10	1	
30	CM162704	Afstandhouder 1,12	1	
30	CM162705	Afstandhouder 1,14	1	
31	GU95129100	Elastische sluitring 5,3X10X0,5	1	Technical Specifications: Telai ZGULSG[V2]

Groep	ENGINE
Code	34.45
Beschrijving	LH cylinder timing system I
Revisie	1



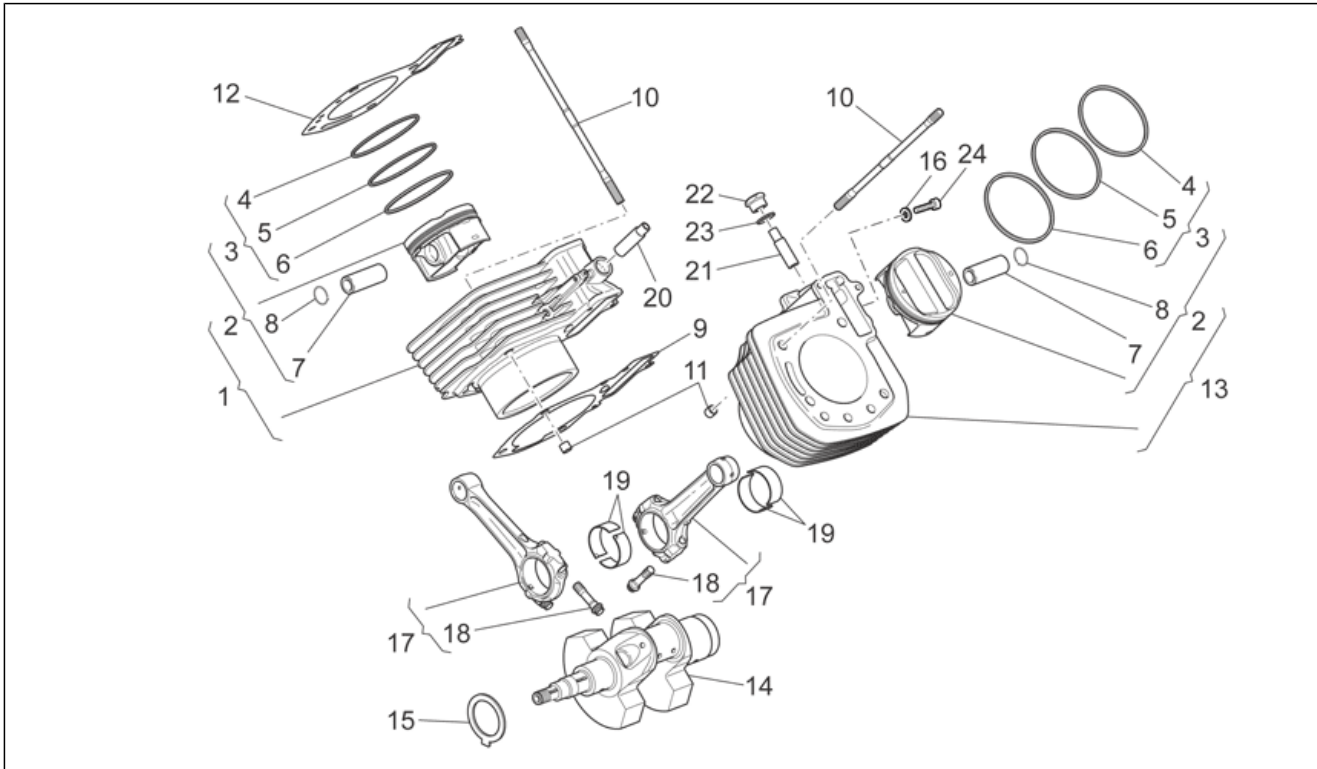
Pos.	Code	Beschrijving	Aant.	Varianten
1	872755	Kop cilinder li	1	Technical Specifications: Telai ZGULSE - ZGULSJ - ZGULSU[V1]
1	878553	Kop cilinder li	1	Technical Specifications: Telai ZGULSG[V2]
2	827018	Stiftbout uitlaat M8X3X46	4	
3	874621	Pakking kop 0,65 mm	2	
3	874622	Pakking kop 0,85 mm	2	
3	976311	Pakking kop 1,05 mm	2	
4	873425	Steun balanceren li	1	Technical Specifications: Old version[OLD]
4	880881	Steun balanceren li	1	Technical Specifications: New version[NEW]
5	015792	Bout M8x30	6	
6	872759	Plug D. 2,5	4	
7	833520	Moer M10X1,25 6H	4	
8	976359	Balanceren	1	
9	976360	Balanceren	1	
10	873850	Registerbout	4	
11	484819	Moer	4	
12	873631	Staaft balanceren	2	
13	B014603	Bicchierino per punteria	2	
14	487444	Geflenste bout M6x120	2	
15	976674	Sluitring vlak 12x6,1x2	2	
16	873873	Nokkenas	1	Bouwjaar: 2007[7], 2008[8], 2009[9] Technical Specifications: Telai ZGULSE - ZGULSJ - ZGULSU[V1]
16	8776384	Nokkenas	1	Bouwjaar: 2010[A] Technical Specifications: Telai ZGULSG[V2]
17	976589	Plug	1	
18	976350	Raderw. distr.	1	
19	874601	Staalplaatje ontluchting	1	
20	843060	Geflenste bout	1	

Groep	ENGINE
Code	34.45
Beschrijving	LH cylinder timing system I
Revisie	1



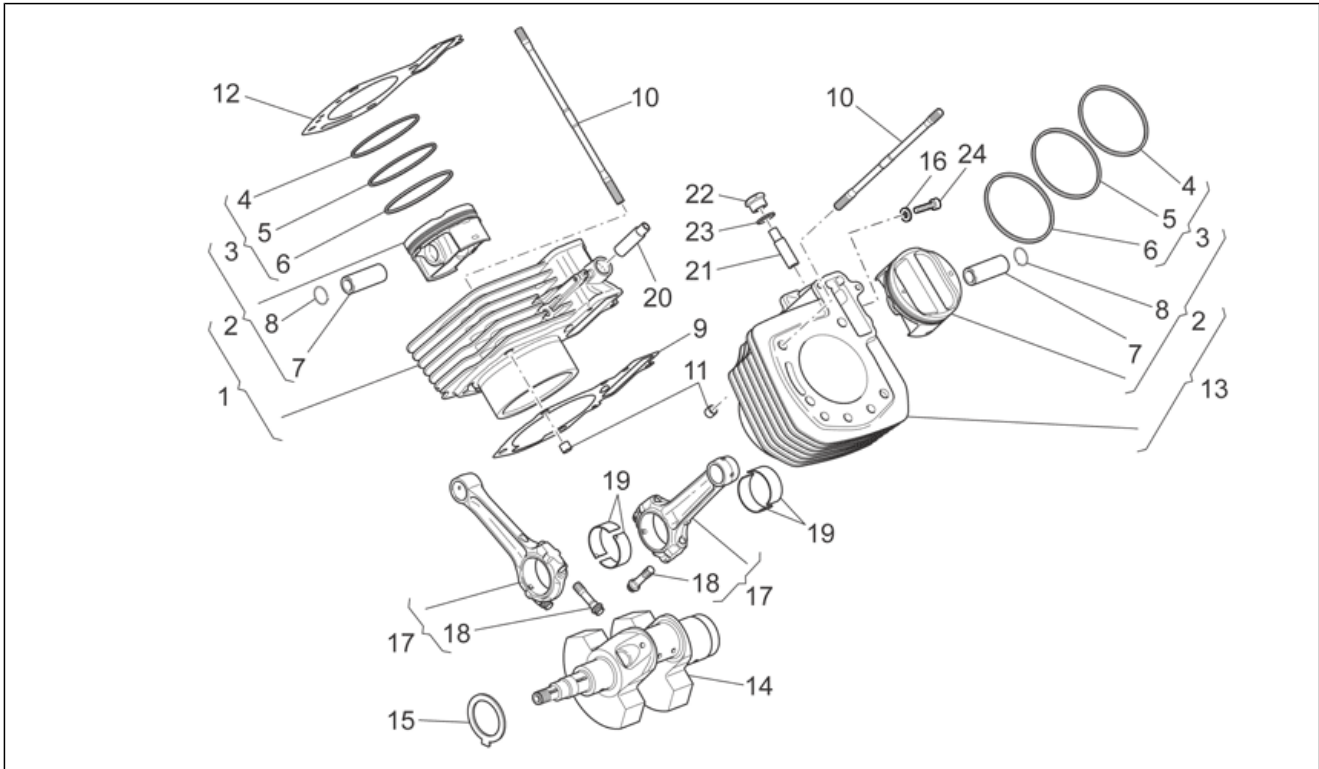
Pos.	Code	Beschrijving	Aant.	Varianten
21	872814	OR-ring 47,35X1,78	1	Technical Specifications: Telai ZGULSE - ZGULSJ - ZGULSU[V1]
21	976584	OR-ring 44.17X1.78	1	Technical Specifications: Telai ZGULSG[V2]
22	874521	Bedekking ontluftung cpl.	1	Technical Specifications: Telai ZGULSE - ZGULSJ - ZGULSU[V1]
22	976690	Bedekking ontluftung cpl.	1	Technical Specifications: Telai ZGULSG[V2]
23	GU98350210	Bolbout met binnenzeskant	2	Technical Specifications: Telai ZGULSE - ZGULSJ - ZGULSU[V1]
23	GU98622214	Bout	1	Technical Specifications: Telai ZGULSG[V2]
24	976341	Distributieketting	1	
25	976338	Glijvlak van de ketting	1	
26	976337	Glijvlak kettingspanner	1	
27	974228	Bout afstandhouder	1	
28	873690	Kettingspanner li	1	
29	244585	Afstandhouder	1	
30	874805	Staalplaatje	1	
31	CM162701	Afstandhouder 1,06	1	
31	CM162702	Afstandhouder 1,08	1	
31	CM162703	Afstandhouder 1,10	1	
31	CM162704	Afstandhouder 1,12	1	
31	CM162705	Afstandhouder 1,14	1	
32	GU95129100	Elastische sluitring 5,3X10X0,5	1	Technical Specifications: Telai ZGULSG[V2]

Groep	ENGINE
Code	34.46
Beschrijving	Drive shaft - Cylinder
Revisie	1



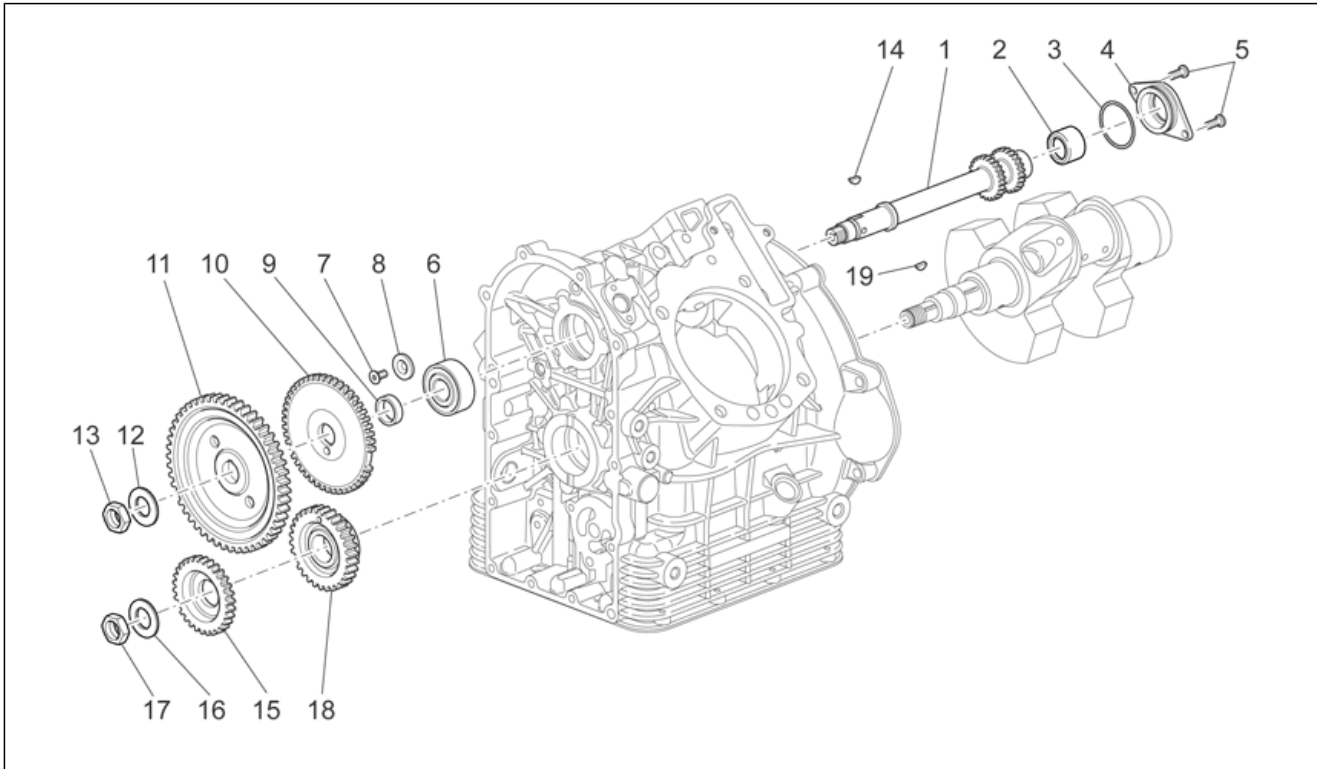
Pos.	Code	Beschrijving	Aant.	Varianten
1	981008	Cilinder met zuiger cpl.re	1	
2	873667	Zuiger D95 cpl	2	
3	981009	Kit elastische banden	2	
4	874287	Elast. band bov.	2	
5	874288	Elastische tussenband	2	
6	874289	Elast. band olieschraap	2	
7	874286	Zuigerpen	2	
8	874567	Blokkeerring	4	
9	976312	Pakking basis cilinder	2	
10	976304	Stiftbout	8	
11	825597	Plug 11,8X10	4	
12	874621	Pakking kop 0,65 mm	2	
12	874622	Pakking kop 0,85 mm	2	
12	976311	Pakking kop 1,05 mm	2	
13	981007	Cilinder met zuiger cpl.li	1	
14	B0133785001	As cpl.	1	Technical Specifications:Colore selezione Marrone[C1]
14	B0133785002	As cpl.	1	Technical Specifications:Colore selezione Verde[C2]
14	B0133785003	As cpl.	1	Technical Specifications:Colore selezione Nero[C3]
15	874293	Schraapring	1	
16	GU95100116	Sluitring 6,25x10x1,5	2	
17	8783390001	Drijfstang cpl.	2	Technical Specifications:Colore selezione Marrone[C1]
17	8783390002	Drijfstang cpl.	2	Technical Specifications:Colore selezione Verde[C2]
17	8783390003	Drijfstang cpl.	2	Technical Specifications:Colore selezione Nero[C3]
18	849131	Bout drijfstang	4	
19	875243	Halfdop kussenblok 1,535-1,540	4	Technical Specifications:Segno rosso[RS]
19	875244	Halfdop kussenblok 1,539-1,544	4	Technical Specifications:Segno blu[BS]
20	873689	Kettingspanner re	1	
21	873690	Kettingspanner li	1	

Groep	ENGINE
Code	34.46
Beschrijving	Drive shaft - Cylinder
Revisie	1



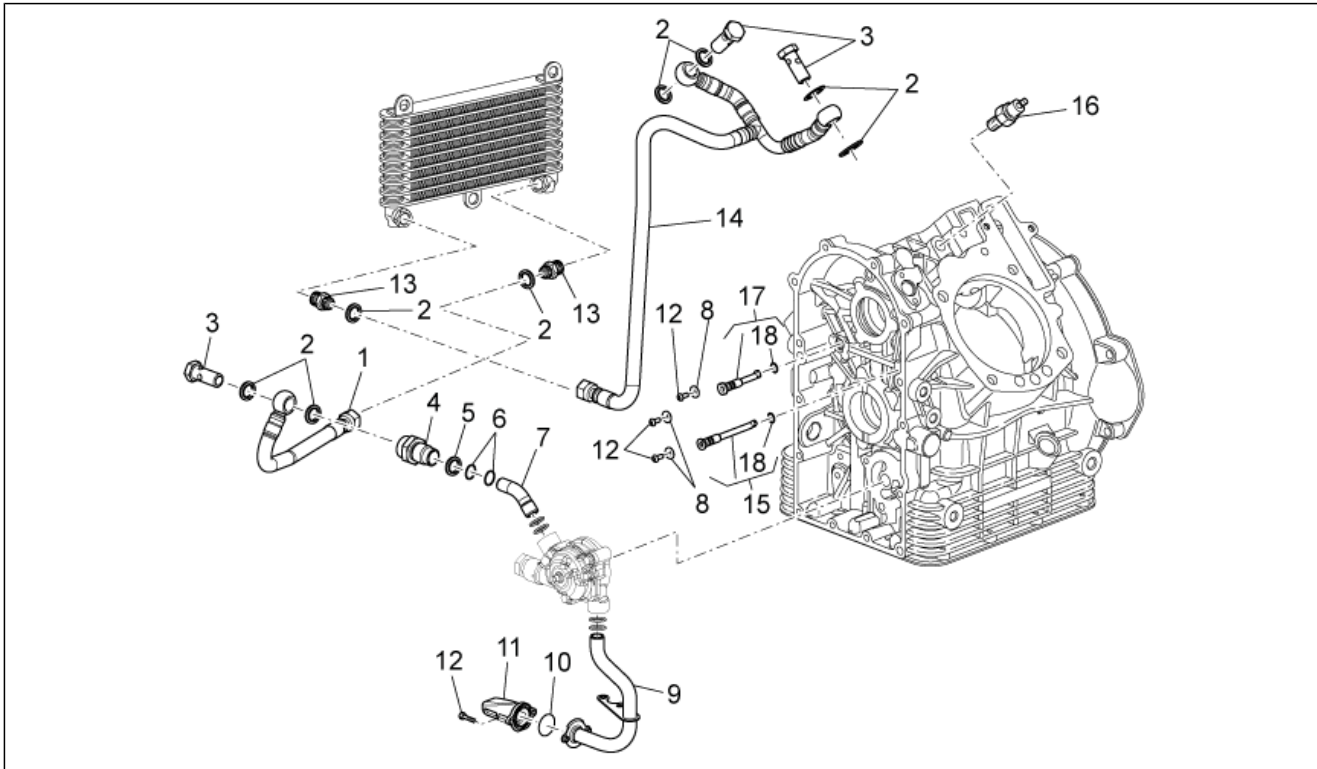
Pos.	Code	Beschrijving	Aant.	Varianten
22	976342	Dop kettingspanner	2	
23	849866	Sluitring	2	
24	GU98350310	Bolbout met binnenzeskant M6x20	2	

Groep	ENGINE
Code	34.47
Beschrijving	Timing system
Revisie	1



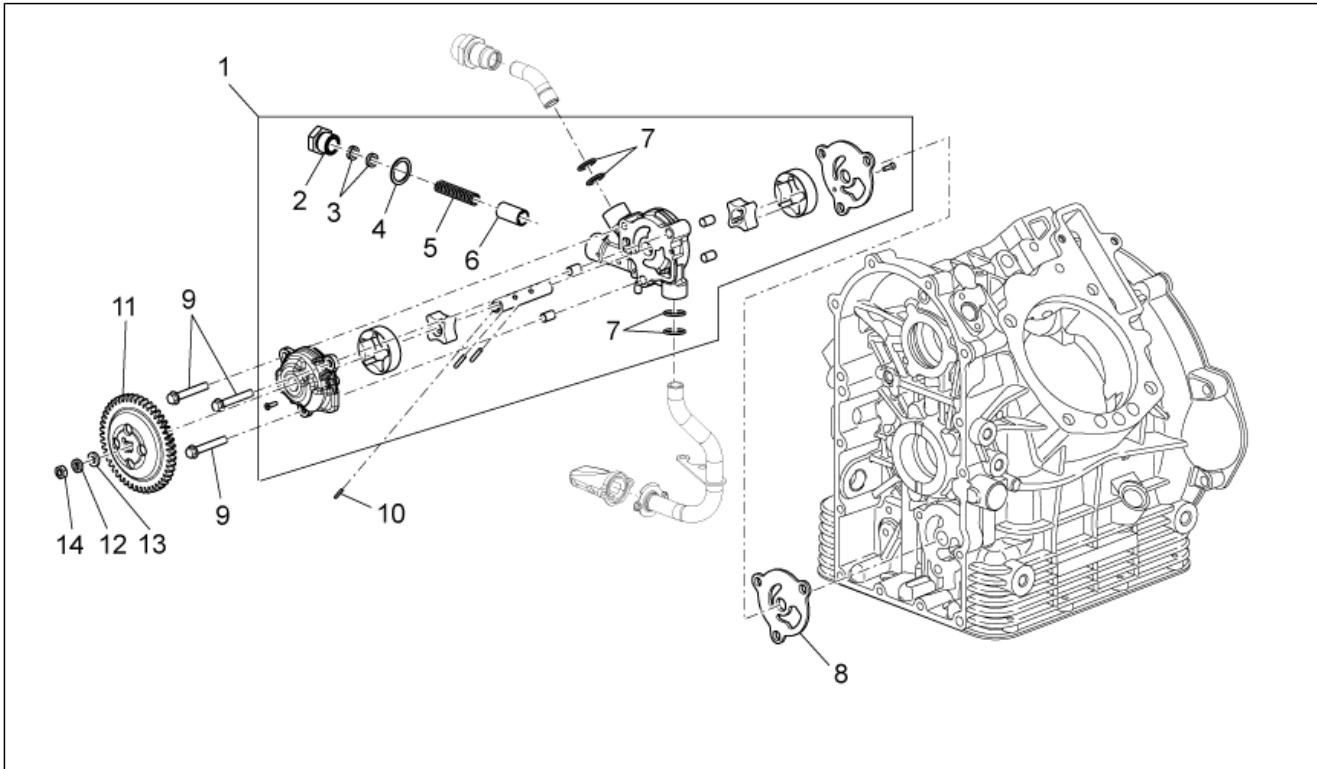
Pos.	Code	Beschrijving	Aant.	Varianten
1	976330	Distrib.as	1	
2	976381	Rollenkooi 25x32x12	1	
3	976488	OR-ring 37,82x1,78	1	
4	976331	Flens	1	
5	GU98350315	Bolbout met binnenzeskant M6x14	2	
6	976355	Kogellager 20x47x18	1	
7	AP8152166	Bout M6x16	2	
8	873928	Rondel	1	
9	976334	Afstandhouder	1	
10	976538	Geluidswiel	1	
11	874281	Raderw.distrib.	1	
12	GU14433400	Elastische sluitring 19x34x1,5	1	
13	GU92750180	Moer M18	1	
14	GU91600450	Sluitwig	1	
15	874799	Raderw. geleidend	1	
16	976665	Bekerveer	1	
17	GU92602525	Moer M25	1	
18	874280	Raderw. geleidend	1	
19	GU91600365	Sluitwig 3x6,5	1	

Groep	ENGINE
Code	34.48
Beschrijving	Lubrication
Revisie	1



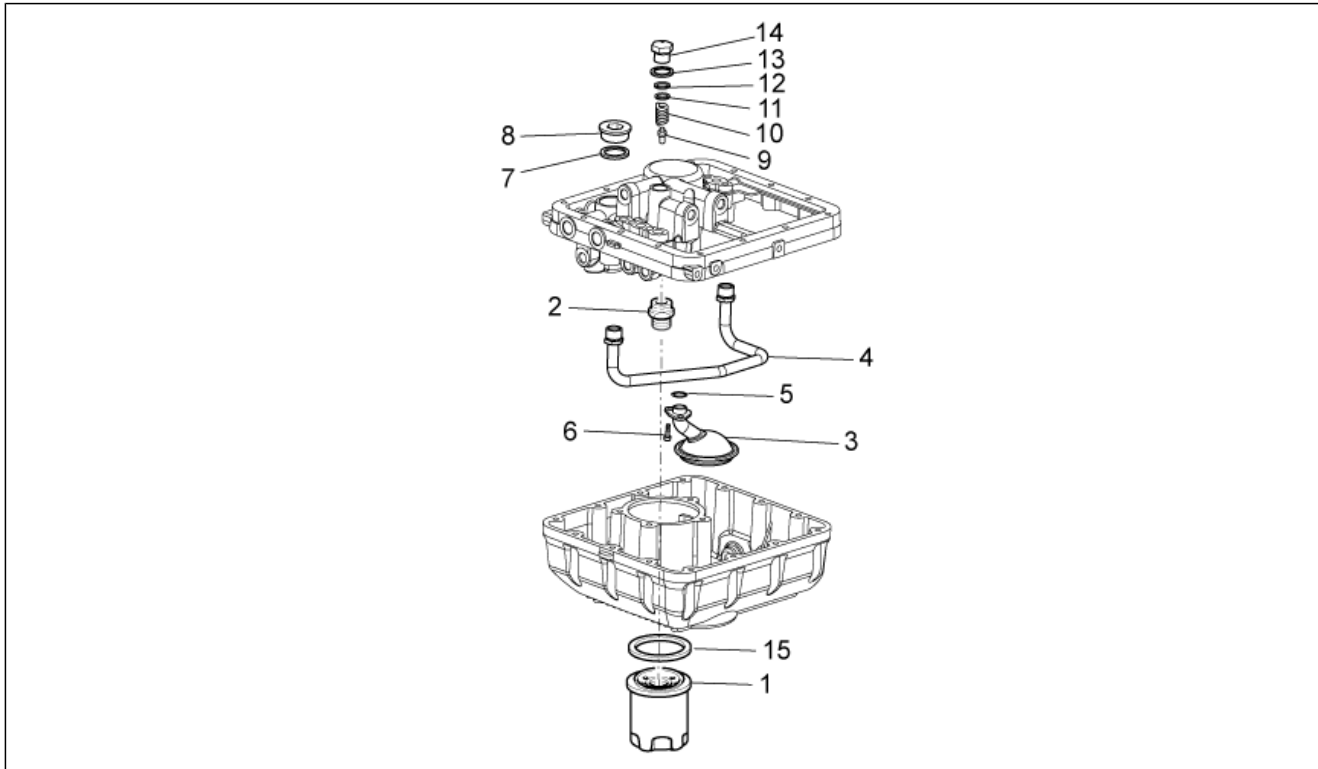
Pos.	Code	Beschrijving	Aant.	Varianten
1	874680	Leiding olietoevoer	1	
2	GU01154230	Pakking in aluminium	8	
3	874223	Geperfor. bout	3	
4	874669	Nippel	1	
5	118737	Pakking	1	
6	434947	OR-ring 12,42x1	2	
7	874646	Olieleiding	1	
8	013763	Vlakke rondel 4,2x12x1	3	
9	874645	Buis aanzuiging	1	
10	969323	OR-ring	1	
11	874655	Oliefilter aanzuiging	1	
12	581957	Bout	5	
13	GU01161331	Reductie	2	
14	874716	Leiding olietoevoer	1	
15	874240	Straalpijp li	1	
16	978854	Sensor oliedruk	1	
17	874239	Straalpijp re	1	
18	874238	OR-ring	4	

Groep	ENGINE
Code	34.49
Beschrijving	Oil pump
Revisie	1



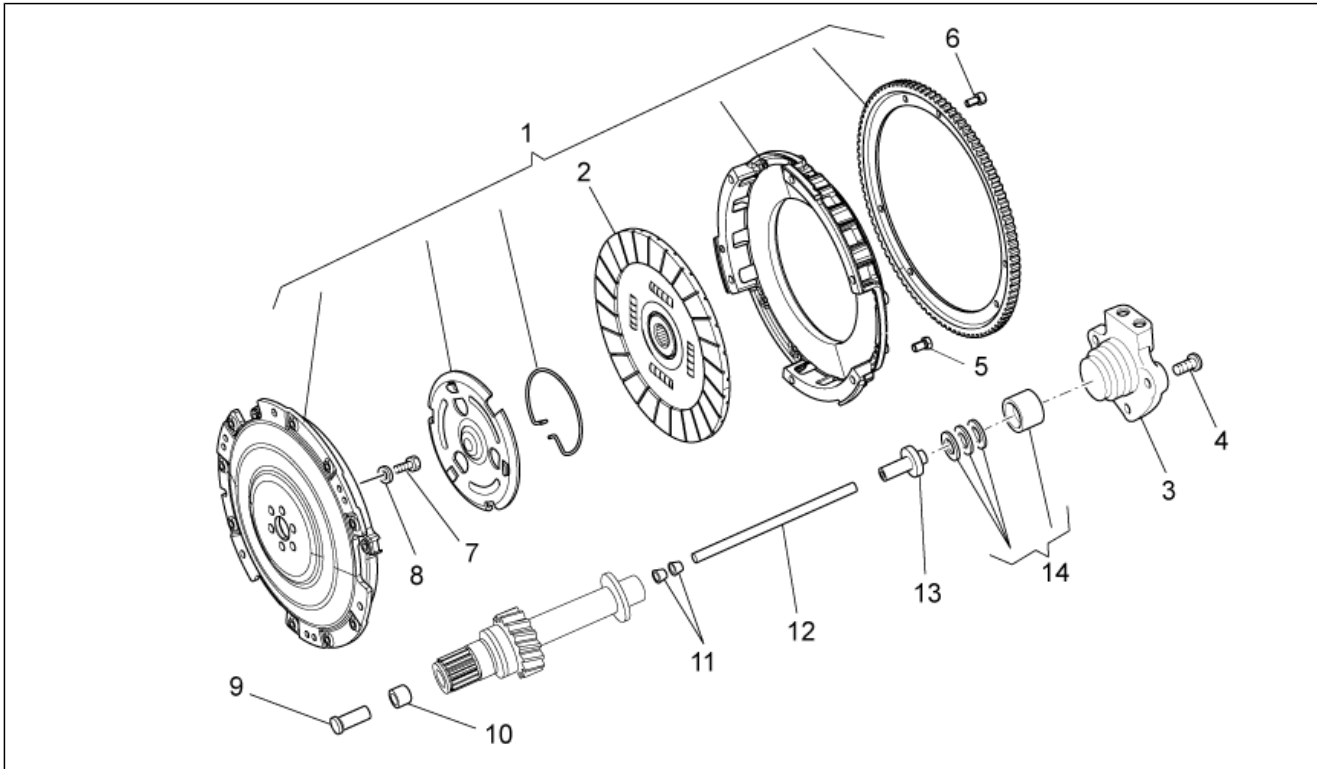
Pos.	Code	Beschrijving	Aant.	Varianten
1	874650	Oliepomp cpl.	1	
2	GU31159050	Dop	1	
3	GU30158900	Sluitring	2	
4	GU18144350	Sluitring 18,25x24x1	1	
5	829486	Veer	1	
6	829661	Klep oliedruk	1	
7	237553	OR-ring	4	
8	874482	Pakking	1	
9	414835	Bout	3	
10	874801	Plug 2x13,8	1	
11	874616	Raderw.oliepomp	1	
12	GU03013800	Sluitring 6,4x12	1	
13	GU95005306	Sluitring 6,4x13x1,5	1	
14	873906	Moer laag	1	

Groep	ENGINE
Code	34.50
Beschrijving	Oil filters
Revisie	1



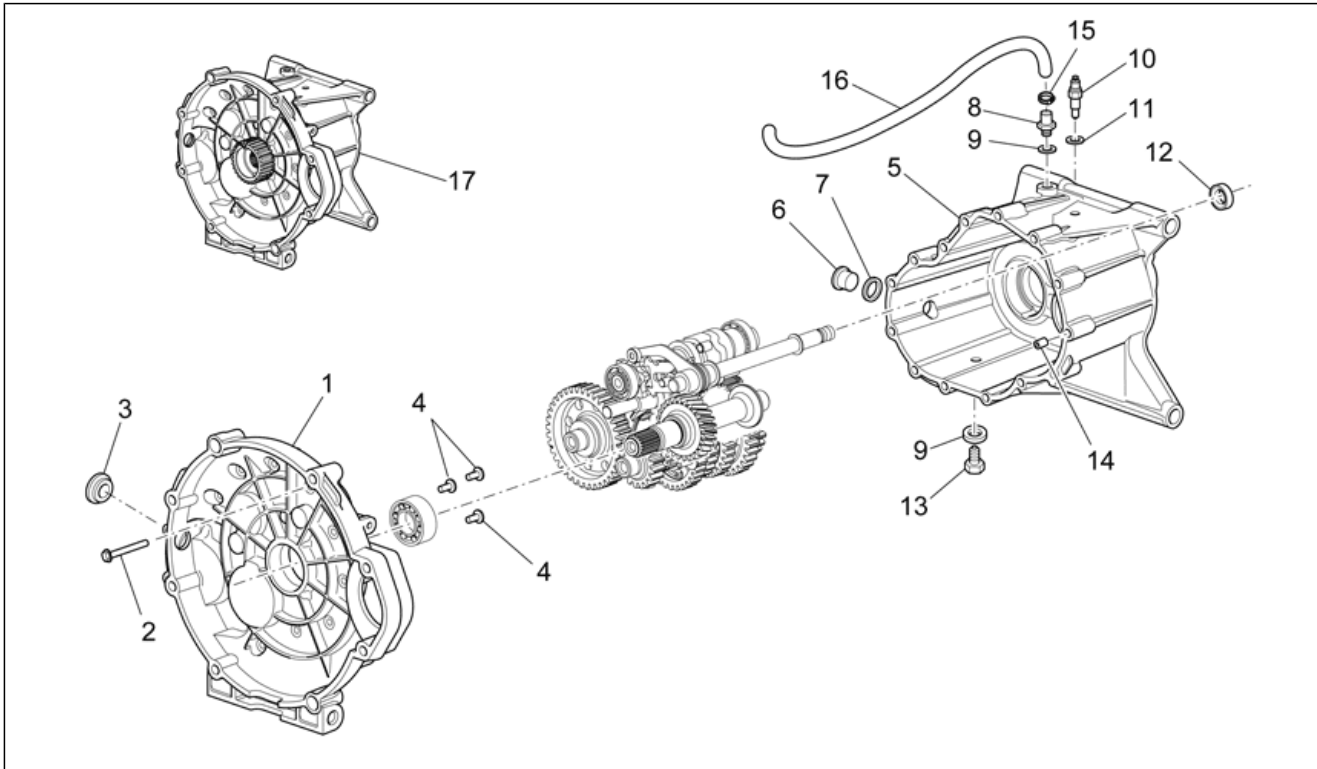
Pos.	Code	Beschrijving	Aant.	Varianten
1	GU30153000	Oliefilter	1	
2	829122	Verbinding oliefilter	1	
3	GU05152230	Oliefilter	1	
4	GU05005730	Buis	1	
5	GU90706151	O-ring 15,08x2,62viton	1	
6	877820	Binnenkantbout M6x18	2	
7	GU01163700	Pakking in koper	1	
8	GU01163600	Dop	1	
9	GU30150900	Zuigertje	1	
10	GU94321077	Veer	1	
11	GU95008206	Sluitring 6,15x11x0,8	2	
12	GU30158900	Sluitring	1	
13	GU18144350	Sluitring 18,25x24x1	1	
14	GU31159050	Dop	1	
15	981115	Pakking	1	Technical Specifications: Rif. Comunicazione tecnica n°... [CT1]

Groep	ENGINE
Code	34.51
Beschrijving	Clutch
Revisie	1



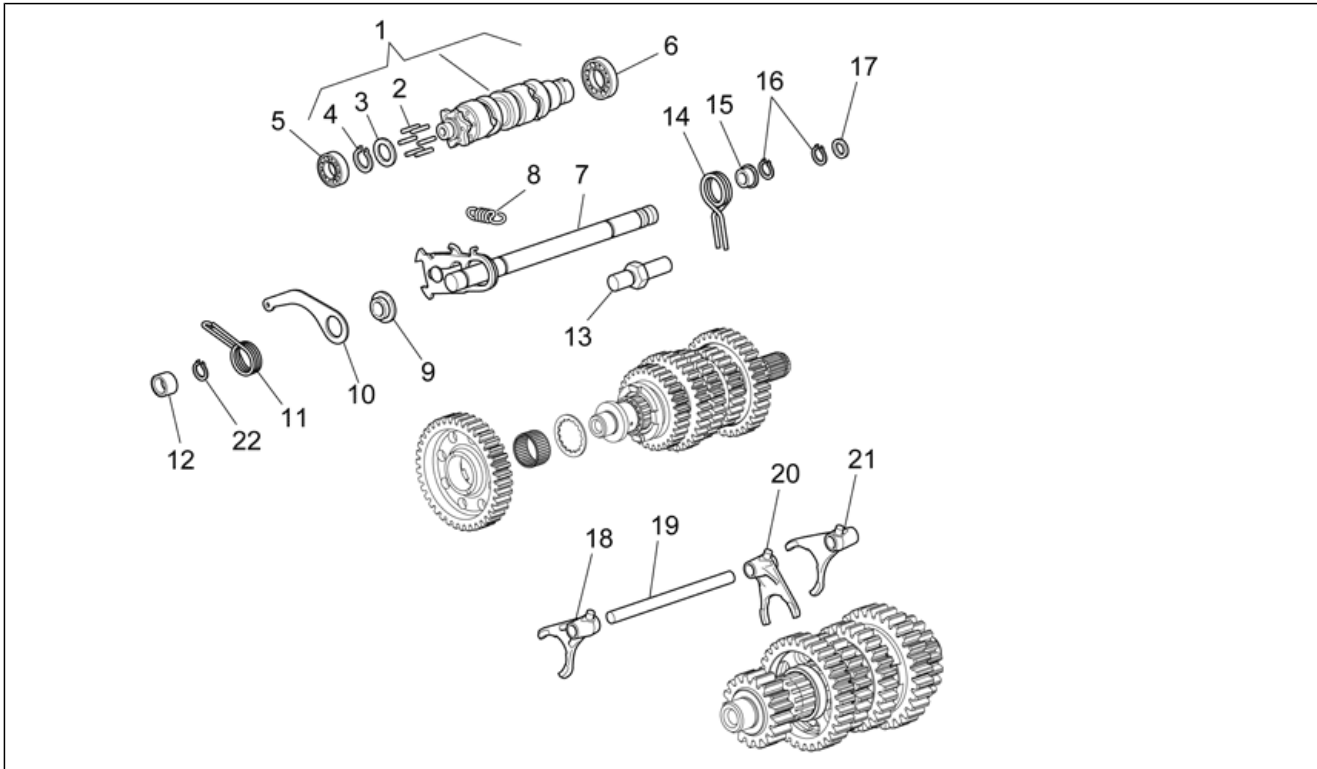
Pos.	Code	Beschrijving	Aant.	Varianten
1	976023	Koppeling cpl.	1	
2	976053	Koppelingsschijf	1	
3	978739	Cilinder commando koppeling	1	
4	AP8152278	Zeskantbout geflenst M6x16	3	
5	976535	Binnenzeskantbout M7x16	6	
6	GU98230612	Bout	6	
7	976481	Zeskantbout geflenst M8x25	6	
8	976484	Elastische conische sluitring 8,2X15	1	
9	976563	Bekertje commando koppeling	1	
10	976564	Beslagring	1	
11	GU14085900	Huls	2	
12	976593	StAAF L=mm183	1	Technical Specifications: Un taglio d'identificazione[1T]
12	976594	StAAF L=mm184,5	1	Technical Specifications: Due tagli d'identificazione[2T]
12	976595	StAAF L=mm186	1	Technical Specifications: Tre tagli d'identificazione[3T]
12	976596	StAAF L=mm187,5	1	Technical Specifications: Quattro tagli d'identificazione[4T]
12	B0630111	Asta L=mm 1 185	1	Technical Specifications: Cinque tagli di identificazione[5T]
12	B063012	Asta L=mm 185,5	1	Technical Specifications: Sei tagli di identificazione[6T]
13	GU14086000	Tussenromp	1	
14	976696	Kit lager drukst.	1	

Groep	ENGINE
Code	34.52
Beschrijving	Transmission cage
Revisie	1



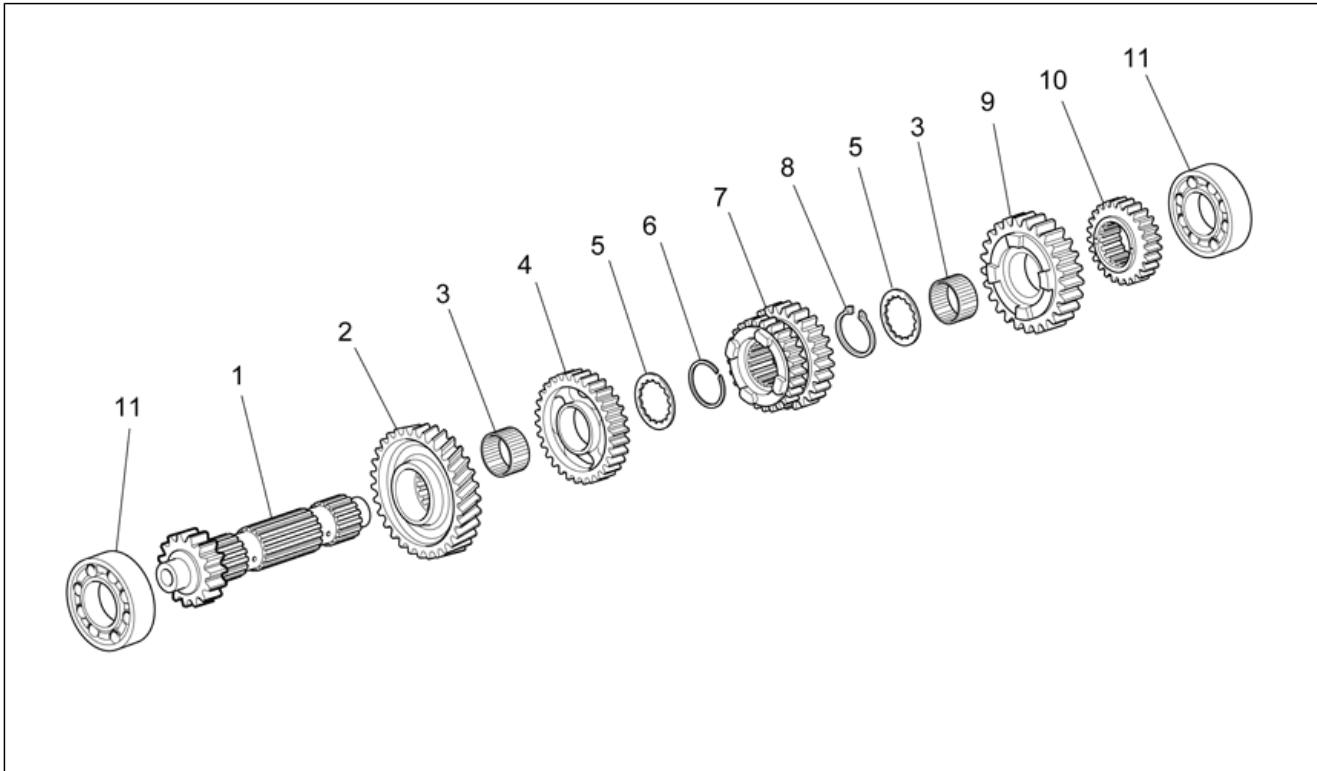
Pos.	Code	Beschrijving	Aant.	Varianten
1	976453	Koppelingsblok nero	1	
2	GU97202355	Zeskantbout geflenst M6x55	14	
3	GU93180220	Dop	1	
4	GU98370616	Bolbout met binnenzeskant M6x16 inox	3	
5	976452	Doos versn.bak zwart	1	
6	GU95980319	Oliedop M18x1,5	1	
7	GU18144350	Sluitring 18,25x24x1	1	
8	GU05204930	Dop ontluchting	1	
9	GU01528930	Pakking 10x18x1,5	2	
10	GU19207220	Sensor vrij	1	
11	B063025	Guarnizione 8,7x14,2x1,3	1	
12	GU90401424	Dichtingsring 14x24x7	1	
13	GU31003766	Afvoerdop olie M10x1	1	
14	GU19002020	Beslagring 6,6x9x13	2	
15	AP8101595	Klemmetje D10,1*	1	
16	AP8120952	Benzineleiding 5,5x10	1	
17	976934	Versnellingsbak cpl.	1	

Groep	ENGINE
Code	34.53
Beschrijving	Gear box selector
Revisie	1



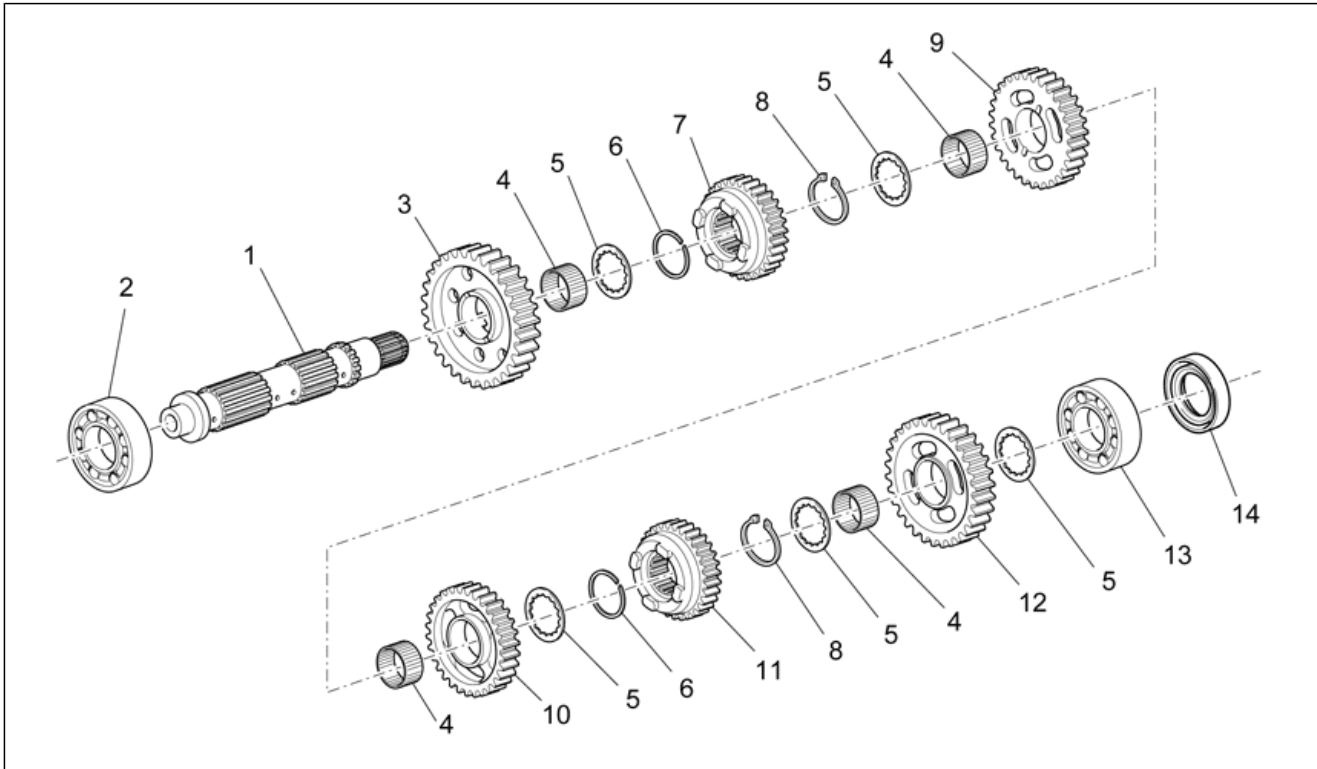
Pos.	Code	Beschrijving	Aant.	Varianten
1	GU05234431	Shift cam cpl.	1	
2	GU05234631	Pin	6	
3	GU05235531	Dikte	1	
4	GU90271022	Seegerring	1	
5	GU92201117	Kogellager 17x35x10	1	
6	GU92201025	Kogellager 25x42x9	1	
7	GU05236231	Voorschakelaar cpl.	1	
8	GU05238231	Veer	1	
9	GU05238431	Beslagring	1	
10	GU05234731	Hendel Index	1	
11	GU05234130	Veer	1	
12	GU05234230	Afstandhouder	1	
13	GU05234931	Pin koppeling	1	
14	GU05238331	Veer	1	
15	GU05238131	Afstandhouder	1	
16	GU90271014	Seegerring	2	
17	GU05239330	Koppelschotel	1	
18	GU05230531	Vork 1a-3a	1	
19	GU05232431	As vork	1	
20	GU05232631	Vork 5a-6a	1	
21	GU05230831	Vork 2a-4a	1	
22	GU90353014	Seegerring	1	

Groep	ENGINE
Code	34.54
Beschrijving	Primary gear shaft
Revisie	1



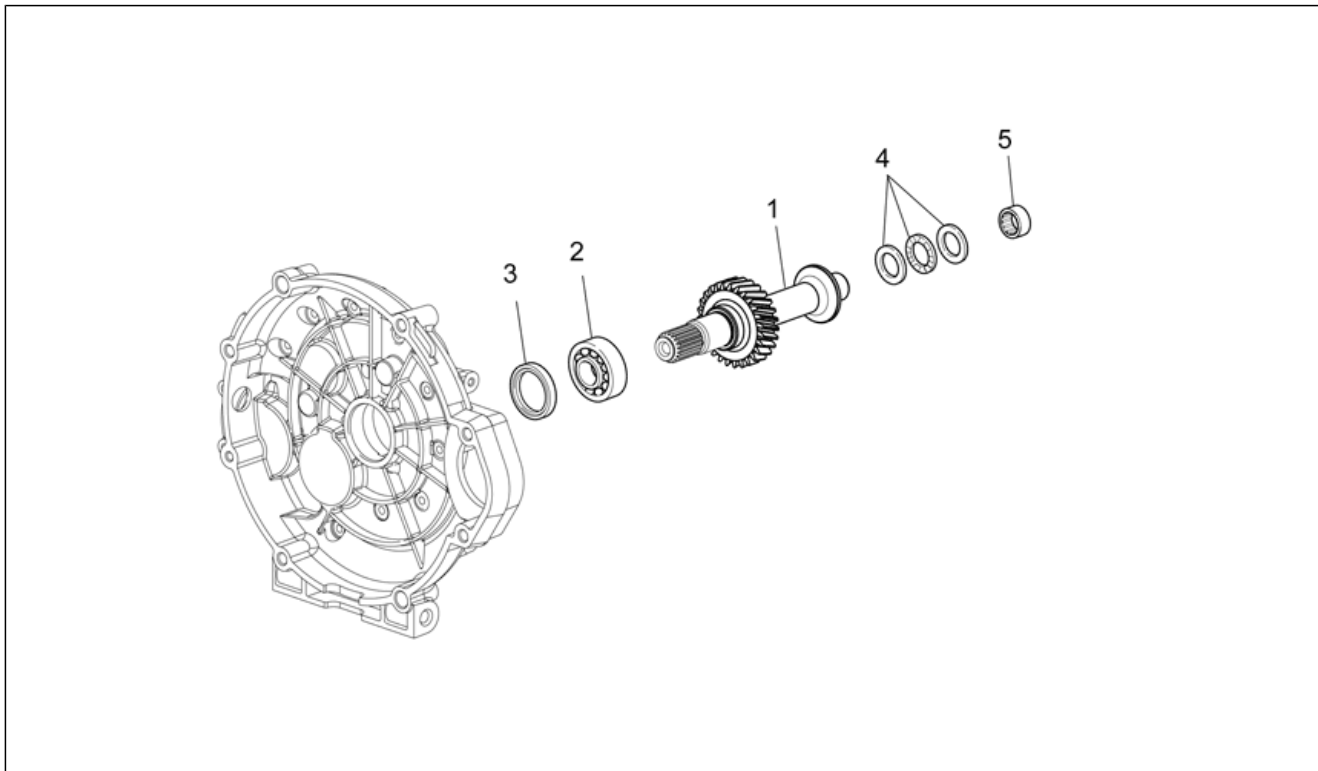
Pos.	Code	Beschrijving	Aant.	Varianten
1	GU05210631	Primaire as Z=17	1	
2	GU05215631	Raderw.transmissie Z=35	1	
3	GU92252029	Rollenkooi 26x30x15,6	2	
4	GU05212031	Raderwerk 5a Z=31	1	
5	GU05214630	Steunende sluitring	2	
6	GU90271230	Elastische ring 30x1,2SW	1	
7	GU05211431	Raderwerk 3a-4a Z=23-26	1	
8	GU90271030	Elastische ring 30x27,9	1	
9	GU05212631	Raderwerk 6a Z=29	1	
10	GU05211331	Raderwerk 2a Z=20	1	
11	GU92201822	Kogellager 20x52x15	2	

Groep	ENGINE
Code	34.55
Beschrijving	Driven shaft
Revisie	1



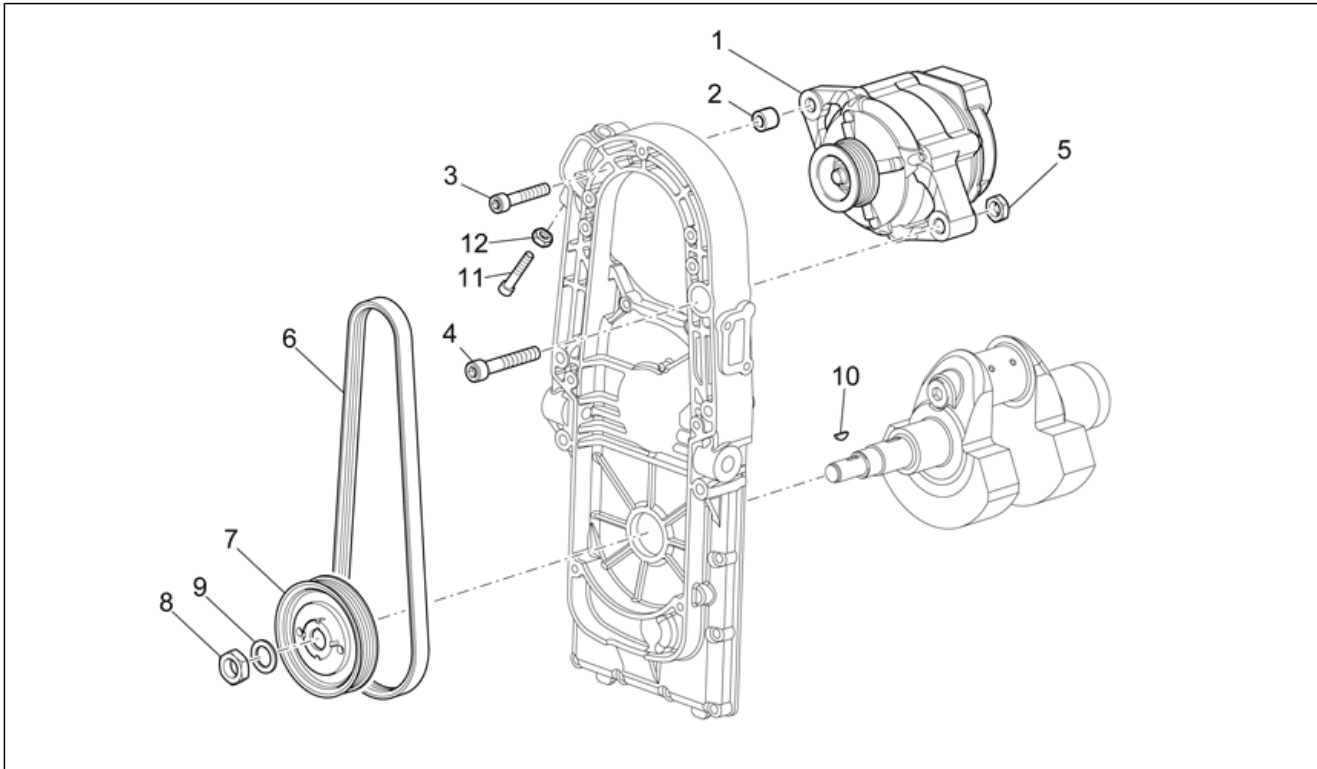
Pos.	Code	Beschrijving	Aant.	Varianten
1	GU05213631	Secundaire as	1	
2	GU92201822	Kogellager 20x52x15	1	
3	GU05214231	Raderwerk 1a Z=38	1	
4	GU92252029	Rollenkooi 26x30x15,6	4	
5	GU05214630	Steunende sluitring	5	
6	GU90271230	Elastische ring 30x1,2SW	2	
7	GU05214031	Raderwerk 5a Z=30	1	
8	GU90271030	Elastische ring 30x27,9	2	
9	GU05214731	Raderwerk 3a Z=31	1	
10	GU05215031	Raderwerk 4a Z=29	1	
11	GU05220531	Raderwerk 6a Z=25	1	
12	GU05214431	Raderwerk 2a Z=34	1	
13	GU92201226	Kogellager 25x52x15	1	
14	GU90412541	Dichtingsring 25X40X7	1	

Groep	ENGINE
Code	34.56
Beschrijving	Clutch shaft
Revisie	1



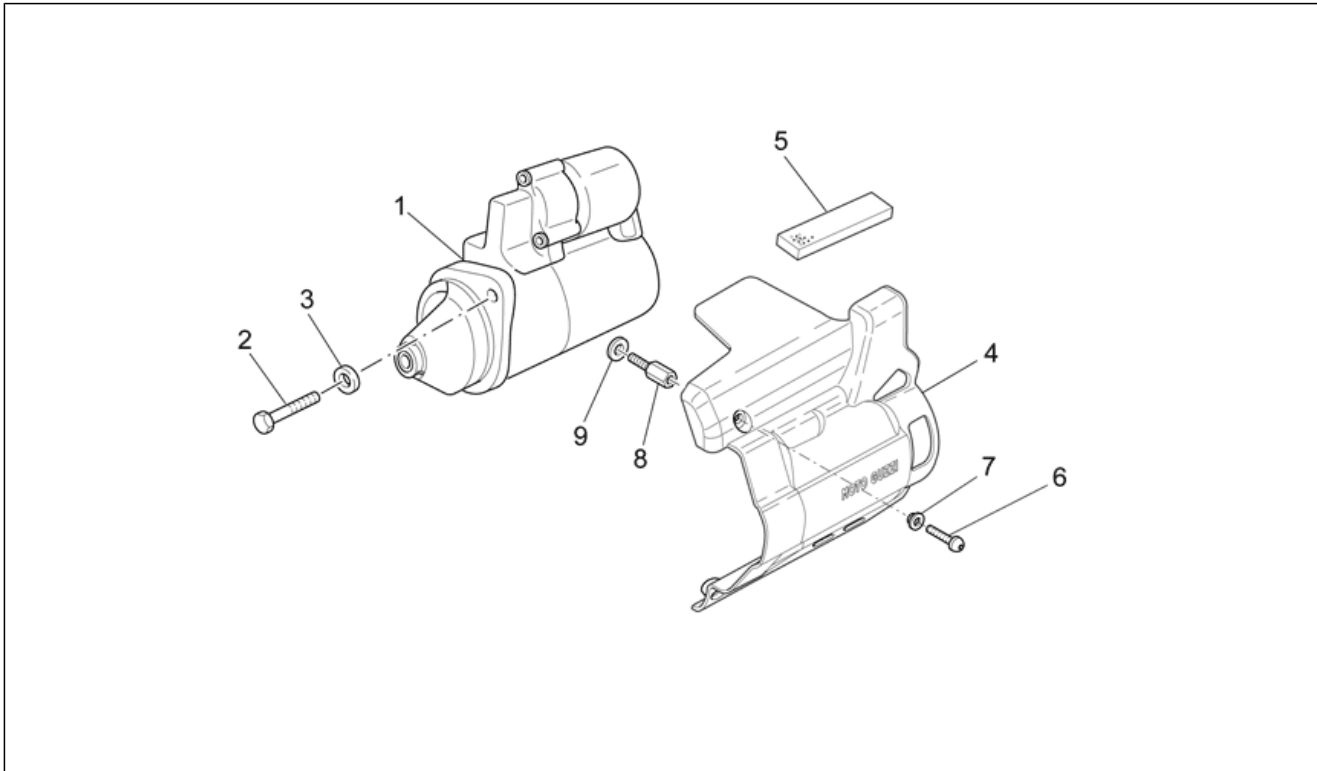
Pos.	Code	Beschrijving	Aant.	Varianten
1	976351	Koppelingsas Z=26	1	
2	GU92201226	Kogellager 25x52x15	1	
3	976533	Dichtingsring 25x47x7	1	
4	976532	Lager drukt.	1	
5	GU92232028	Rollager 20x28x13	1	

Groep	ENGINE
Code	34.57
Beschrijving	Current generator
Revisie	1



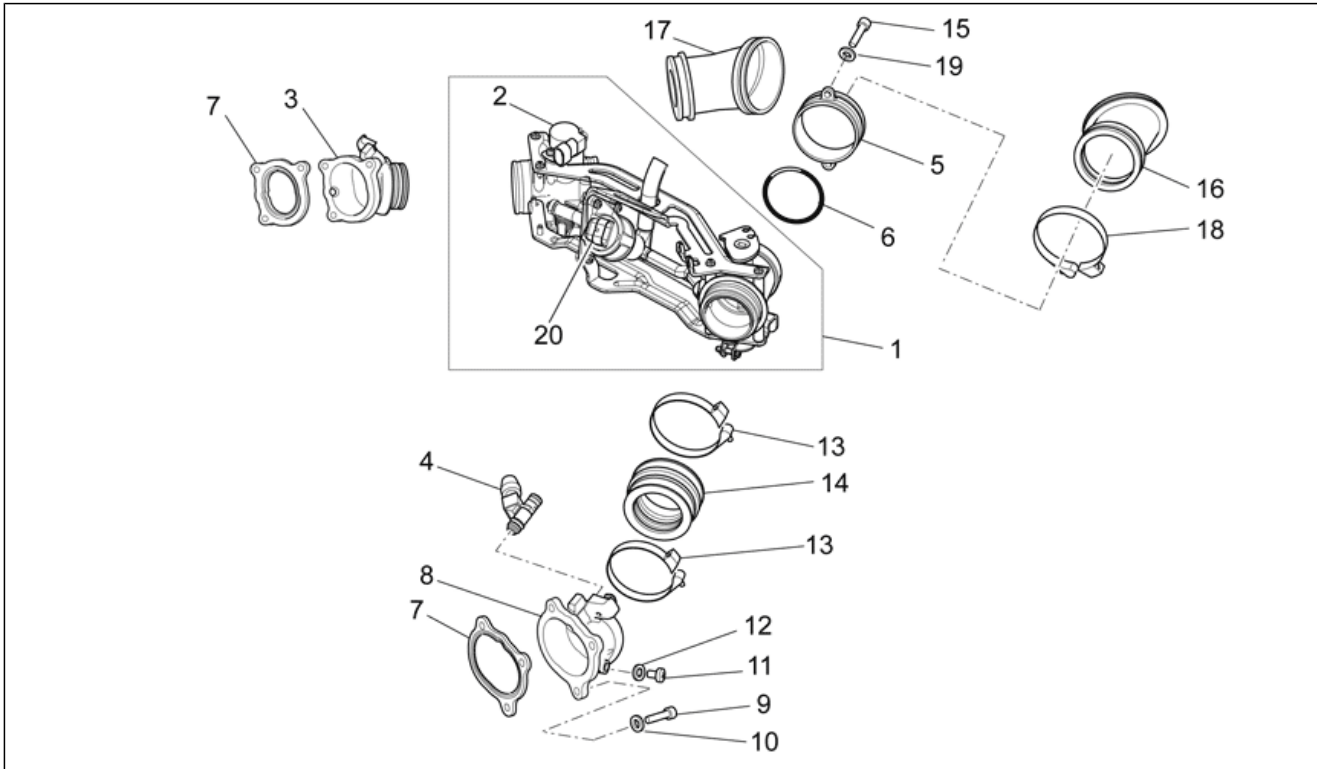
Pos.	Code	Beschrijving	Aant.	Varianten
1	GU05712431	Alternator	1	
2	GU91180823	Afstandhouder 8,5x17x13	1	
3	GU98620445	Binnenzeskantbout M8x45	1	
4	GU98620560	Binnenzeskantbout M10x60	1	
5	GU92660012	Moer M10X1,5	1	
6	GU05702530	Riem	1	
7	GU05701430	Poelie commando alternator	1	
8	GU92606516	Moer M16	1	
9	GU30714201	Sluitring 16,25x24,5x5	1	
10	GU4FAN000030	Sluitwig vliegwielmagneet	1	
11	GU98230850	Bolbout met binnenzeskant M8x50	1	
12	GU92605408	Moer M8x1,25	1	

Groep	ENGINE
Code	34.58
Beschrijving	Starter motor
Revisie	1



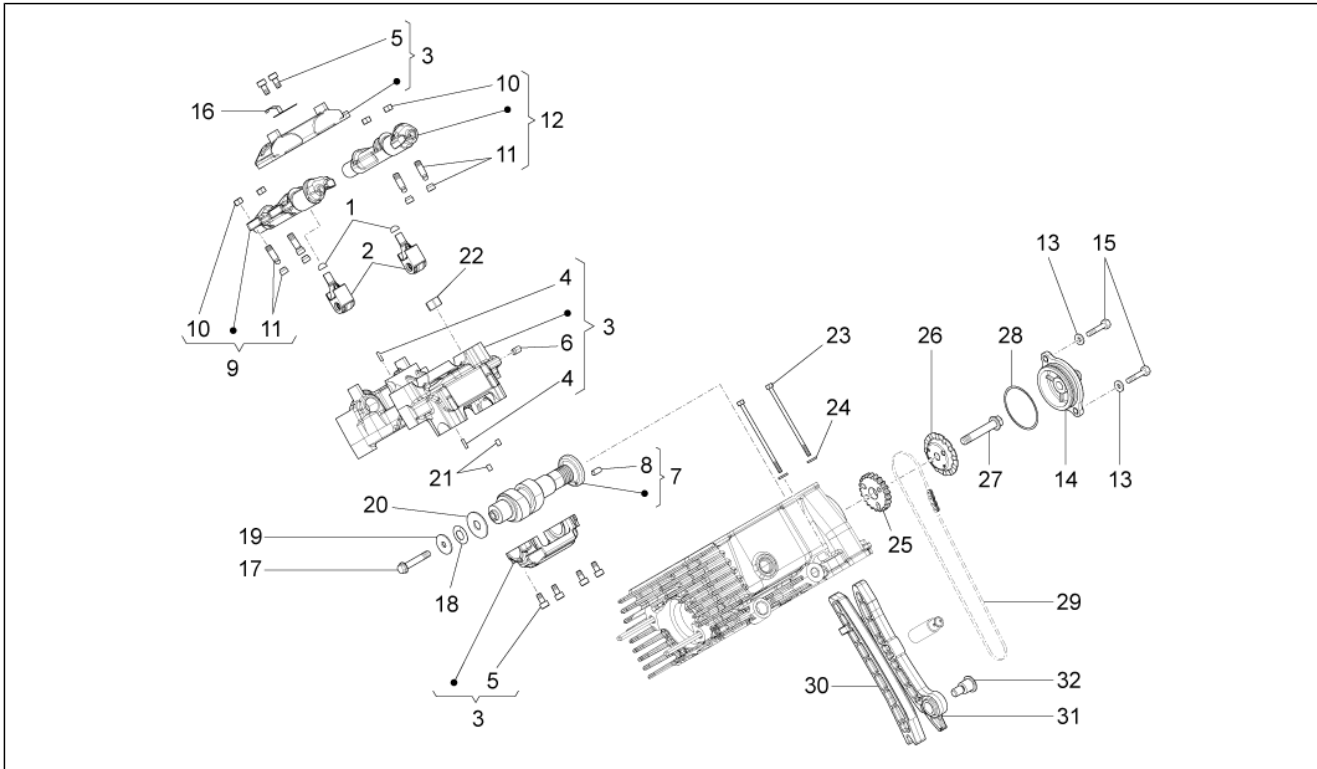
Pos.	Code	Beschrijving	Aant.	Varianten
1	GU05730730	Startmotor Bosch	1	
2	GU98082475	Zeskantbout M8x75	2	
3	GU03270300	Sluitring 8,4x15	2	
4	GU05733330	Bedekking grijs	1	
5	AP8117200	Kleefspoon	1	
6	GU98370609	Bolbout met binnenzeskant M6x10	2	
7	AP8121032	Huls	2	
8	GU03469201	Kolommetje	1	
9	GU03013800	Sluitring 6,4x12	1	

Groep	ENGINE
Code	34.59
Beschrijving	Throttle body
Revisie	1



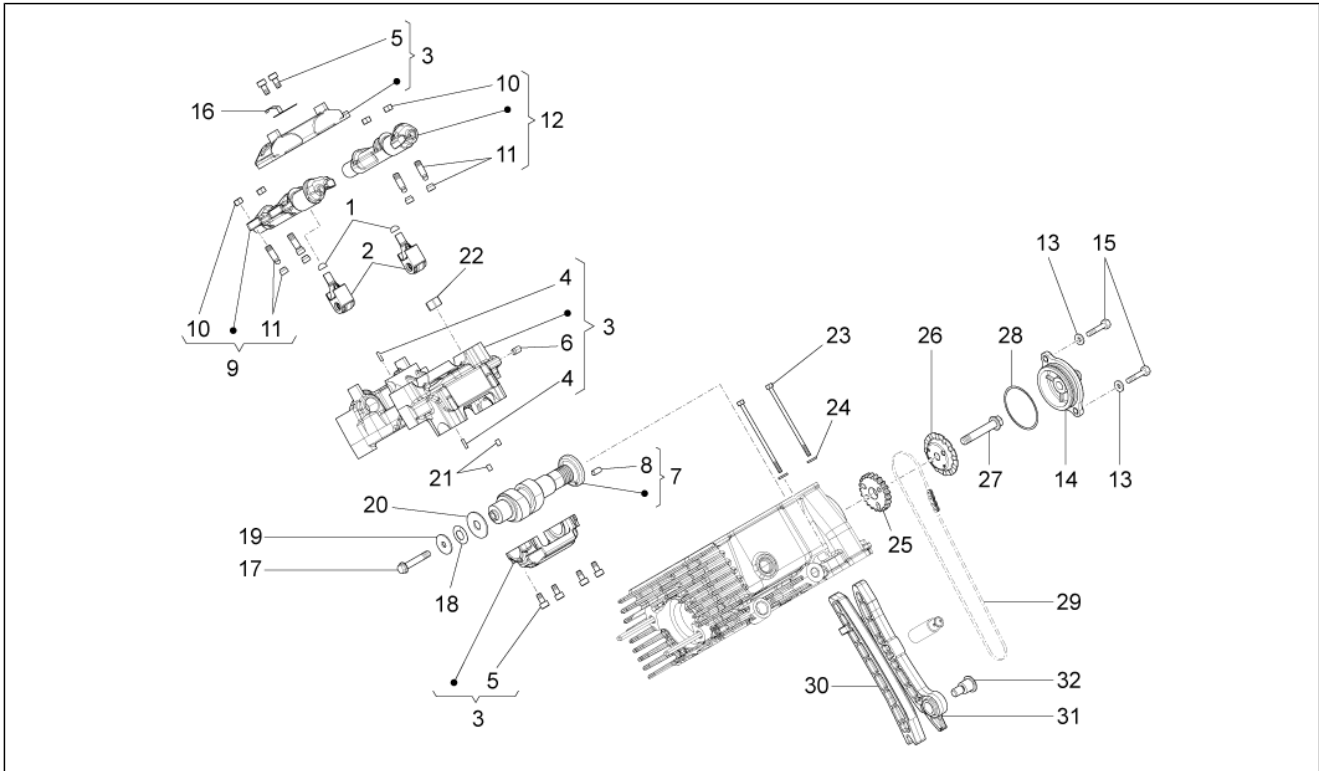
Pos.	Code	Beschrijving	Aant.	Varianten
1	873904	Groep smoorklepuizen	1	
2	981010	Potentiometer	1	
3	873490	Pijp aanz. li	1	
4	976555	Injector cpl.	2	Technical Specifications: Telai ZGULSE - ZGULSJ - ZGULSU[V1]
4	CM074706	Injector cpl.	2	Technical Specifications: Telai ZGULSG[V2]
5	976498	Flens	2	
6	976534	OR-ring 56,87x1,78	2	
7	873879	Inl. manifold gasket	2	
8	873491	Pijp aanz. re	1	
9	GU98370625	Bolbout met binnenzeskant	6	
10	GU95008206	Sluitring 6,15x11x0,8	6	
11	GU98350310	Bolbout met binnenzeskant M6x20	2	
12	GU95100116	Sluitring 6,25x10x1,5	2	
13	GU93305061	Klemmetje 61/65,5	4	
14	873861	Mof	2	
15	GU98682212	Binnenzeskantbout M5x12	2	
16	976494	Aanzuigmof li	1	
17	976495	Aanzuigmof re	1	
18	GU12548201	Klemmetje 62/82 mm	2	
19	GU95008305	Sluitring 5,3X10X1	2	
20	981011	Motortje regeling minimum	1	

Groep	ENGINE
Code	34.60
Beschrijving	RH cylinder timing system II
Revisie	1



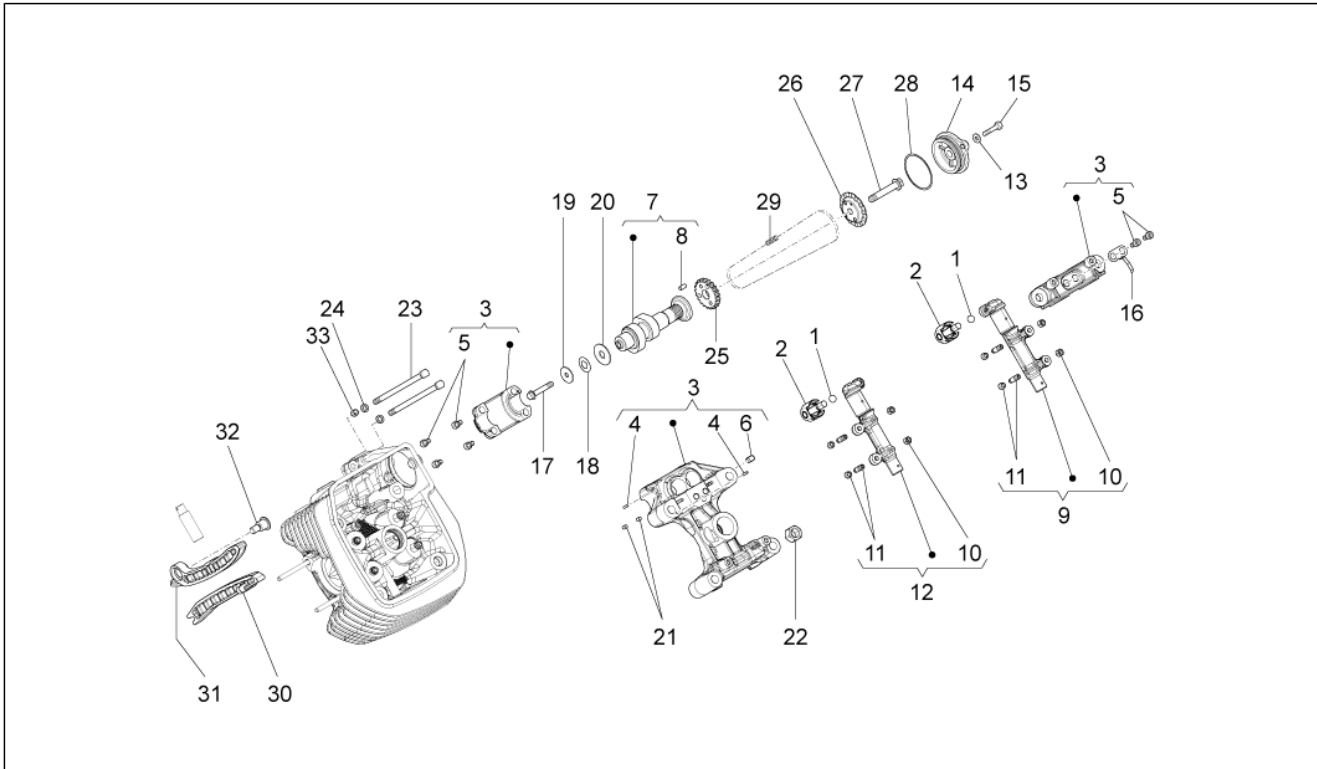
Pos.	Code	Beschrijving	Aant.	Varianten
1	878574	Pastille	2	
2	B016785	Kleplicht.	2	
3	B017029	Supporto asse bilancieri DX	1	
4	872759	Plug D. 2,5	4	
5	015792	Bout M8x30	6	
6	842360	Geschroefdrade dop M6x10	1	
7	B014576	Cam axle	1	
8	976589	Plug	1	
9	B0136034	Bilanciere aspirazione sx scarico dx	1	
10	879916	Moer regeling balanceringen	4	
11	879707	Regelbout	4	
12	B0136054	Bilanciere aspirazione dx scarico sx	1	
13	GU95129100	Elastische sluitring 5,3X10X0,5	2	
14	B013479	Bedekking ontluchting cpl.	1	
15	GU98622214	Bout	2	
16	B013661	Staalplaatje	1	
17	414837	Zeskantbout geflenst M6x25	1	
18	879938	Bekerveer	1	
19	879936	Shim	1	
20	879937	Shim	1	
21	B013552	Roller	2	
22	833520	Moer M10X1,25 6H	8	
23	487444	Geflenste bout M6x120	2	
24	976674	Sluitring vlak 12x6,1x2	2	
25	976350	Raderw. distr.	1	
26	874601	Staalplaatje ontluchting	1	
27	843060	Geflenste bout	1	
28	880965	Dichtingsring 2,62x46,52	0	

Groep	ENGINE
Code	34.60
Beschrijving	RH cylinder timing system II
Revisie	1



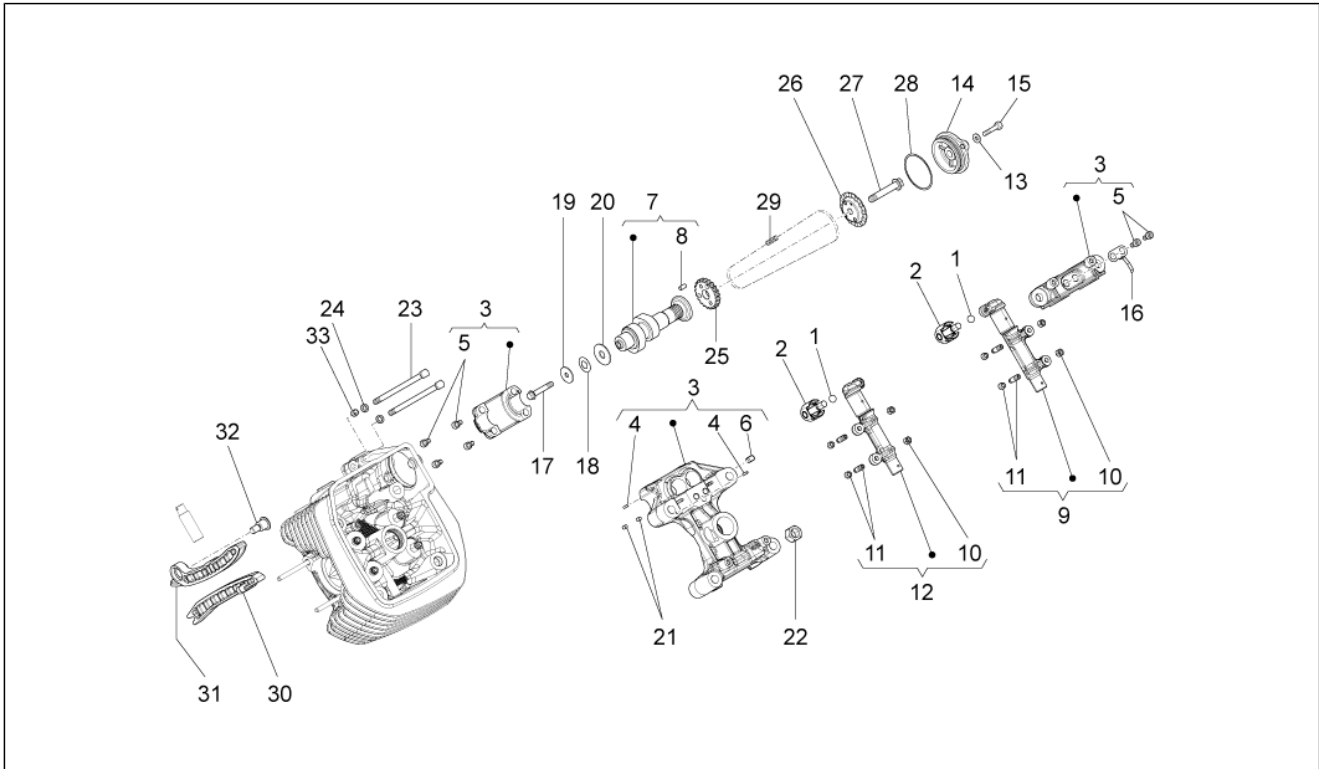
Pos.	Code	Beschrijving	Aant.	Varianten
29	976341	Distributieketting	1	
30	976338	Glijvlak van de ketting	1	
31	976337	Glijvlak kettingspanner	1	
32	878868	Bout afstandhouder M8	1	

Groep	ENGINE
Code	34.61
Beschrijving	LH cylinder timing system II
Revisie	1



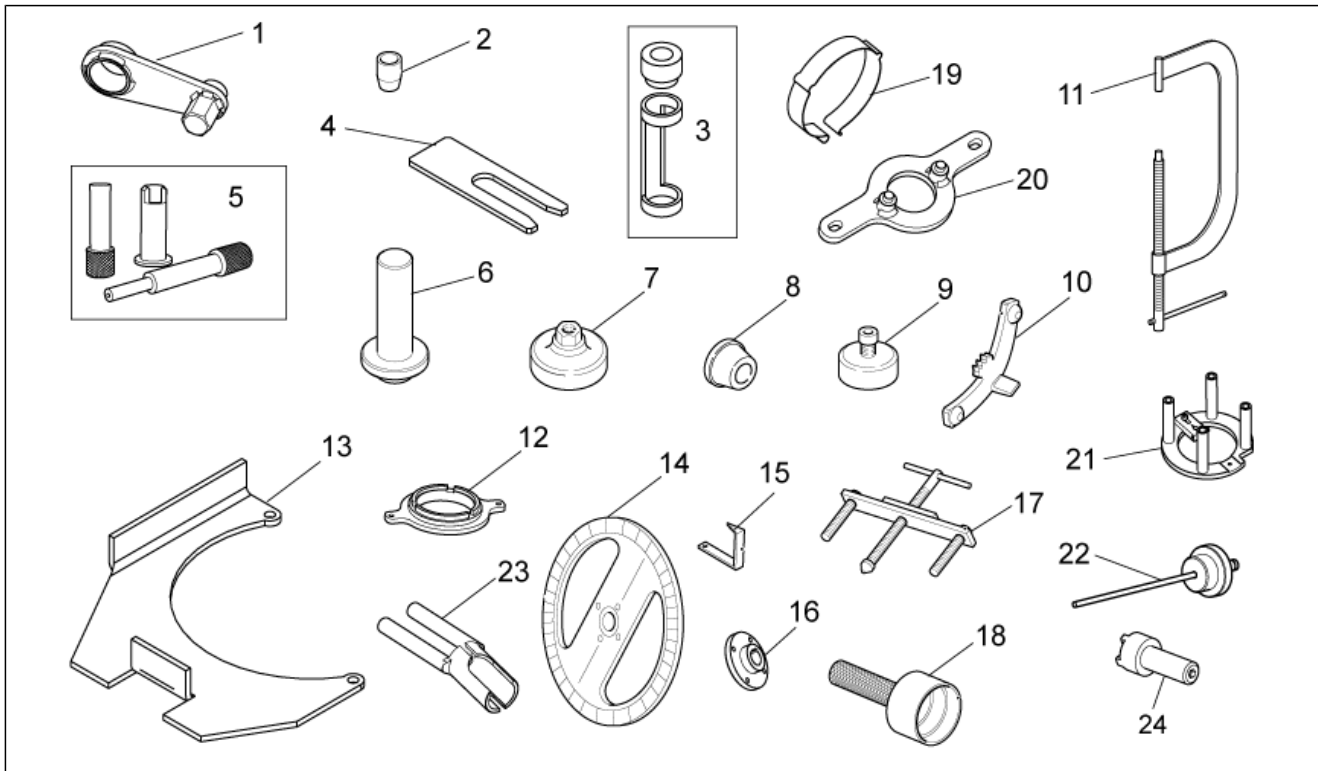
Pos.	Code	Beschrijving	Aant.	Varianten
1	878574	Pastille	2	
2	B016785	Kleplicht.	2	
3	B017026	Supporto asse bilancieri SX	1	
4	872759	Plug D. 2,5	4	
5	015792	Bout M8x30	6	
6	842360	Geschroefdrade dop M6x10	1	
7	B014576	Cam axle	1	
8	976589	Plug	1	
9	B0136034	Bilanciere aspirazione sx scarico dx	1	
10	879916	Moer regeling balanceringen	4	
11	879707	Regelbout	4	
12	B0136054	Bilanciere aspirazione dx scarico sx	1	
13	GU95129100	Elastische sluitring 5,3X10X0,5	2	
14	B013479	Bedekking ontluchting cpl.	1	
15	GU98622214	Bout	2	
16	B013661	Staalplaatje	1	
17	414837	Zeskantbout geflenst M6x25	1	
18	879938	Bekerveer	1	
19	879936	Shim	1	
20	879937	Shim	1	
21	B013552	Roller	2	
22	833520	Moer M10X1,25 6H	4	
23	487444	Geflenste bout M6x120	2	
24	976674	Sluitring vlak 12x6,1x2	2	
25	976350	Raderw. distr.	1	
26	874601	Staalplaatje ontluchting	1	
27	843060	Geflenste bout	1	
28	880965	Dichtingsring 2,62x46,52	1	

Groep	ENGINE
Code	34.61
Beschrijving	LH cylinder timing system II
Revisie	1



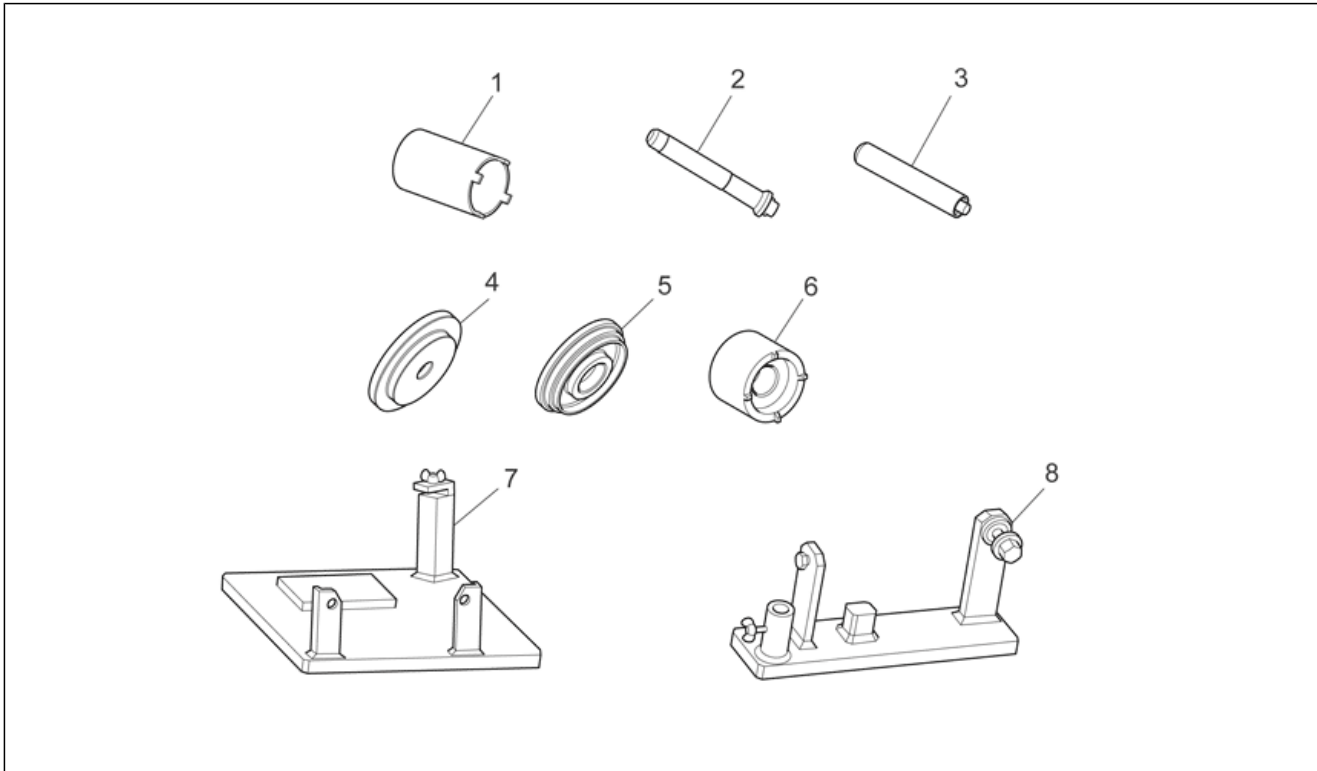
Pos.	Code	Beschrijving	Aant.	Varianten
29	976341	Distributieketting	1	
30	976338	Glijvlak van de ketting	1	
31	976337	Glijvlak kettingspanner	1	
32	878868	Bout afstandhouder M8	1	
33	244585	Afstandhouder	1	

Groep	SPECIAL TOOLS
Code	36.60
Beschrijving	Specific tools I
Revisie	1



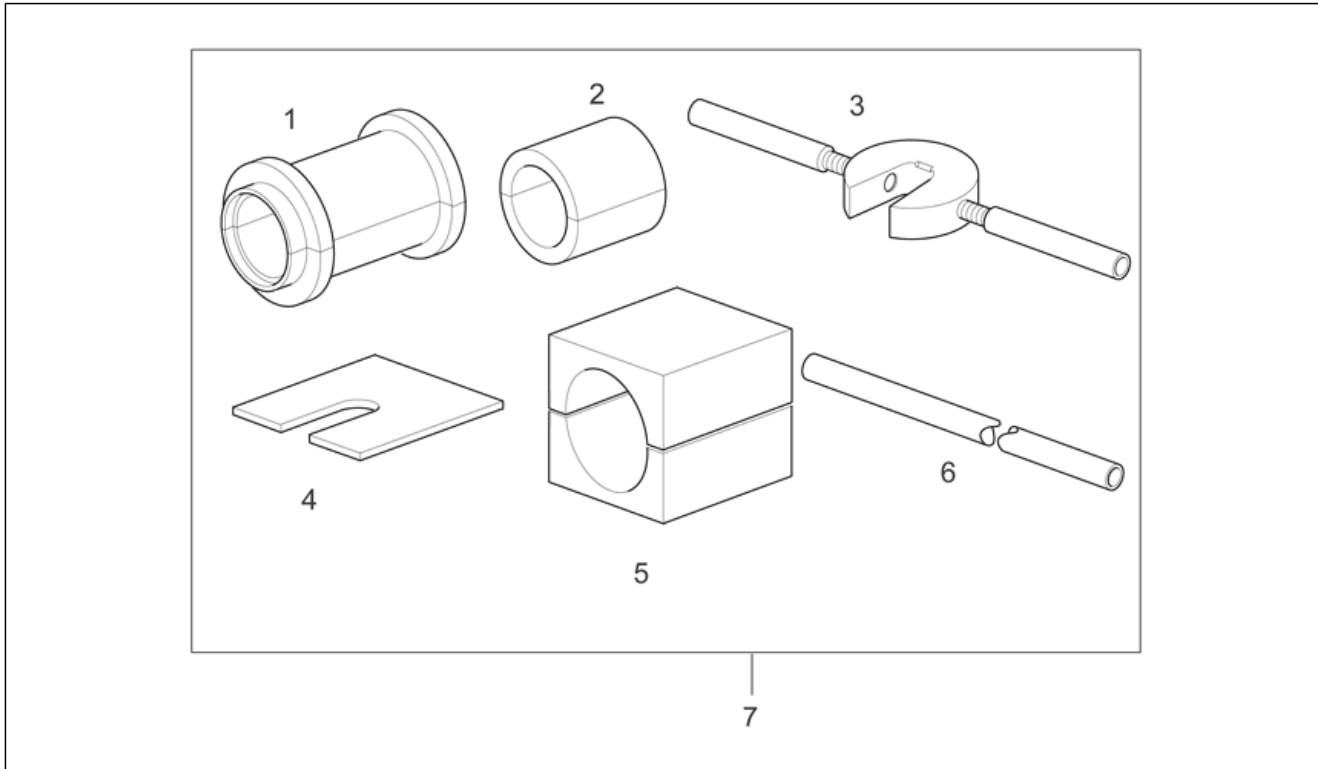
Pos.	Code	Beschrijving	Aant.	Varianten
1	020677Y	Gereedschap spanning riem	1	
2	GU05911730	Conus invoer bedekking voor.	1	
3	AP9100838	Gereedschap veerdrukker klep	1	
4	020716Y	Blokking drijfslag	1	
5	020470Y	Gereedschap Mont. blokk. zuigerpennen	1	
6	GU05927230	Drevel oliekeerring bedekking	1	
7	GU01929100	Bedekking carter en filter	1	
8	GU12912000	Flens op drijfvas	1	
9	GU14927100	Dichting flens zijde vliegwiel	1	
10	GU12911801	Blockk.vliegwiel/startkroon.	1	
11	AP8140179	Boogje mont./demont.kleppen	1	
12	020672Y	Cent.veerdrukker koppeling	1	
13	GU05902530	Steun voor doos versn.bak	1	
14	GU19929600	Schijf fase distrib.ontst.	1	
15	GU17947560	Pijl fase distrib.ontst.	1	
16	020673Y	Naaf voor gegrad.schijf	1	
17	GU12913600	Demont./mont.flens zijde vliegwiel	1	
18	GU19927100	Dichtingsring flens vliegwiel	1	
19	020674Y	Bandklem	1	
20	020675Y	Blokk.ing.dienstas	1	
21	020676Y	Houder comparator pos.zuiger	1	
22	020678Y	Gereedschap controle koppelingsstaaf	1	
23	020689Y	Tang extractie kapje bougie	1	
24	GU14912603	Sleutel	1	

Groep	SPECIAL TOOLS
Code	36.61
Beschrijving	Specific tools II
Revisie	1



Pos.	Code	Beschrijving	Aant.	Varianten
1	AP8140190	Gereedschap voor sluiting stuur	1	
2	GU05902732	Greep voor buffers	1	
3	GU05902733	Buffer dichting sfeerv.buigpunt	1	
4	GU05902731	Buffer oliekeerring transm.doos 85	1	
5	GU05902735	Buffer oliekeerring rondsel 45x58	1	
6	GU05902734	Sleutel voor moer rondsel	1	
7	GU05902730	Houder transm.doos	1	
8	GU05902736	Houder conisch koppel	1	

Groep	SPECIAL TOOLS
Code	36.62
Beschrijving	Specific tools III
Revisie	1



Pos.	Code	Beschrijving	Aant.	Varianten
1	AP8140145	Montage dichtingsring d.41	1	
2	AP8140146	Gewicht voor gereedschap AP8140189	1	
3	AP8140147	Gereedschap voor blokk. afstandhouder.	1	
4	AP8140148	Plaat scheid.afstandh./pomp.	1	
5	AP8140149	Besch.handelingen demont.	1	
6	AP8140150	Staaf geperfor. ontluchting pomp.	1	
7	AP8140151	GEREEDSCHAPSKIT VORKEN SHOWA	1	